

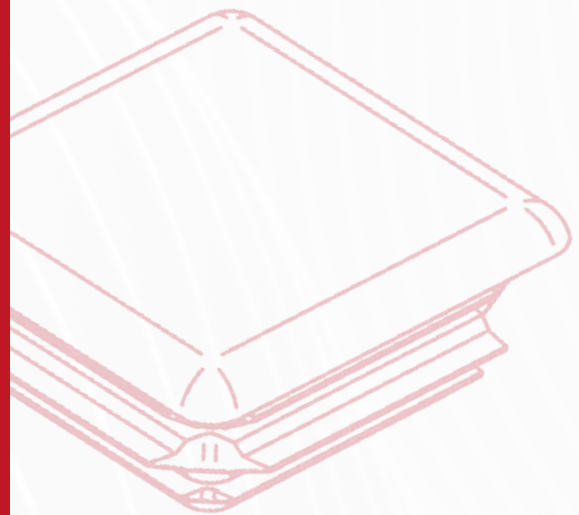
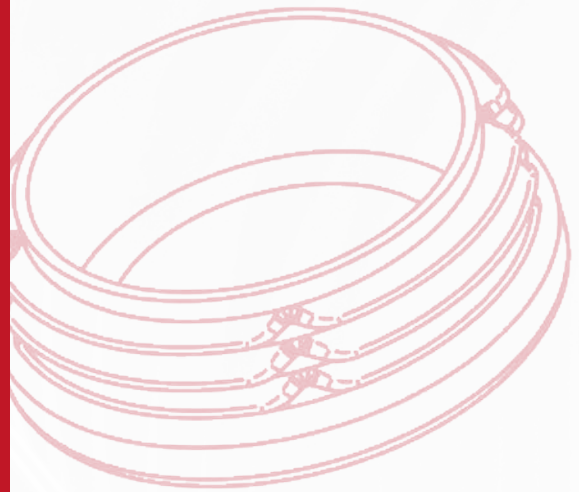


Catalogue

- Caplugs Europe
- Polykap
- Safeplast
- KIBA

EUROPE _____

**The Leader in Plastic
Protection Since 1948**



Thickness

Pitch

LH Up and to the Right



Catalogue

EUROPE

Caplugs is a global leader in plastic moulding with 75 years of experience serving a wide range of industries and customers worldwide.

Committed to expanding our manufacturing footprint in Europe, while maintaining the highest levels of product quality and customer service, Caplugs has recently acquired POLYKAP Plastic Caps and Plugs, Safeplast Hose Protection and KIBA Plastic Protection Parts.

Today, the companies are actively integrating under the Caplugs name to offer a comprehensive product line, including protective hose wrap, a wide range of plastic moulded components, masking solutions and more.

With 5 of our 13 global manufacturing facilities located throughout Europe, and a large team of in-field sales managers, Caplugs provides the personalized service, range of capabilities, manufacturing expertise and scalable infrastructure needed to be your single source and trusted partner for product protection and custom moulding.

Caplugs Europe Catalogue

PAG. 7-72

Polykap Catalogue

PAG. 73-272

Safeplast Catalogue

PAG. 273-318

KIBA Catalogue

PAG. 319-387





Catalogue

CAPPLUGS EU

POLYKAP

SAFEPLAST

KIBA

EUROPE

The Leader in Plastic
Protection Since 1948

CAPPLUGS® IN EUROPE

Caplugs® is a worldwide leader in plastic moulding, with over 70 years of experience serving a wide range of industries and customers across the globe. As the longtime industry leader in the U.S., Caplugs® has grown our manufacturing footprint in Europe.

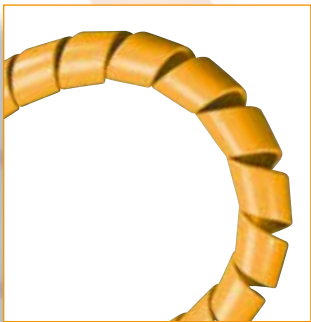
We are committed to maintaining the high levels of product quality and service our customers expect and have acquired leaders in plastic moulding across Europe to provide local manufacturing, engineering capabilities and a technical service team with years of experience.

Caplugs® Europe will continue to grow. With time, we will have the largest catalogue offering and the most comprehensive custom moulding capabilities available from a single source.



European Market Leader in Special and Dip Moulded Products

LoVen Special Products
Nieuwe Waterweg 10
5347 JS Oss, Netherlands



World's Leading Manufacturer of Spiral Protective Wrap

Weldalloy Europe
Chemin preuscamp 18
7822 Meslin L'évêque, Belgium



Worldwide Leader in Product Protection

If you are interested in the full range of Caplugs® products not yet manufactured in Europe, please contact our team of experts at our Europe headquarters (+31) 73 643 02 88 or email them at info.eu@caplugs.com.

Caplugs® Headquarters
2150 Elmwood Ave.
Buffalo, NY 14207, USA
+1 716 876 9855

table of c



Contents



LoVen Product Line

LoVen Products.....	6-7
Get to Know Our Vinyl Products	8-9
VC Series.....	10-13
VFE Series	14
VFC Series	



Weldalloy Product Line

Weldalloy Products.....	26-27
Pig's Tail™ Protective Wrapping.....	28
FRAS (Fire Retardant Anti Static)....	29
NightGlow Protective Wrapping	30
Metal Protection Spirals.....	31



Caplugs® Product Line

Caplugs® Global Powerhouse.....	42-43
---------------------------------	-------

The following tolerance information is for reference purposes only and is intended as an indication of the types of tolerances that can be achieved based on typical parts produced by Caplugs. For a tolerance assessment for a specific part, please contact a Technical Sales Representative at +31 73 643 02 88 or info.eu@caplugs.com.

All statements, technical information, and recommendations related to Caplugs products are based on information believed to be reliable, however, the accuracy or completeness is not guaranteed. Before using any Caplugs product you must evaluate it and determine if it is suitable for your intended application. You assume all risks and liability associated with such use. Any statements related to the product which are not contained in Caplugs current publications or any contrary statements contained on your purchase order shall have no force or effect unless expressly agreed upon, in writing, by an authorized officer of Caplugs.



Weldalloy
Hose Protection

LoVen
Vinyl Products

LoVen has been a trusted supplier of vinyl protection and coatings for over 20 years and a market leader in special and standard dip moulded products in Europe.

LoVen is owned by Caplugs®, an industry leader in plastic moulding since 1948. While Caplugs® began in the United States, we continue to grow globally, adding manufacturing locations to broaden our reach, product offering and moulding capabilities. Committed to excellence in service, our goal is not just to sell globally, but to have manufacturing facilities and direct sales people located near our customers for their convenience.

Caplugs® purchased LoVen Vinyl Products in the Netherlands and Weldalloy Hose Protection in Belgium in 2018. Today, the companies have integrated under the Caplugs name to provide one comprehensive offering of vinyl components and hose protection. We still have the same teams of experts in our Holland and Belgium facilities that remain focused on product quality and customer service. As Caplugs® continues to grow, we will integrate even more capabilities and new products to be your single source and trusted partner for all your product protection and custom moulding needs.



GET TO KNOW OUR VINYL CAPABILITIES

Vinyl Dip Coating

- Apply an attractive and durable vinyl dip coating to your metal parts

Bellows and Covers

- Our customers commonly need bellows and covers custom designed for them. We have designed hundreds of different sizes, styles and colours of bellows and covers.

Leader in Dip Moulded Vinyl

- Quality of vinyl - We blend our own plastisol in-house for total control of our non-phthalate vinyl
- All production is done in-house using our MES system to ensure consistent and efficient quality
- With our full process done in house, we have short lead times and deliver parts when you need them





Comprehensive In-House Design and Production Capabilities

- We specialize in custom moulding, making the process easy and economical
- Our team will work with you one-on-one to design a part to meet your specific needs
- We build our own tooling and run all products in-house for the most efficient process
- Choose from thousands of colours or let us colour match to meet your specific shade



FLEXIBLE VINYL CAPS



LoVen Product Line

VC Series



VC Series vinyl caps are flexible and durable protective closures that are ideal for use as thread protectors, dust and moisture seals, pipe and stud end colour coding, for masking during painting and a wide variety of other applications.

- 150+ sizes available
- Stocked in diameters ranging from 2 mm to 203 mm
- Custom lengths available using existing tools
- Flexible vinyl provides a snug fit
- Provides a finished look to open pipe and tube ends
- Free sample requests are for parts listed in chart only
- New sizes are always being added

Material: Vinyl

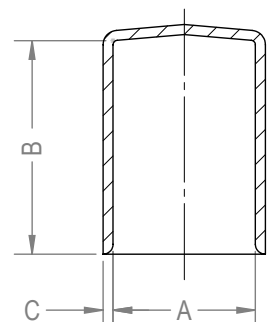
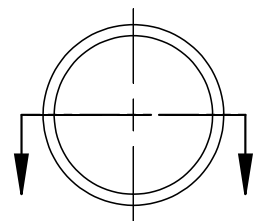
Standard Colours: Black 70 Shore, Yellow 70 Shore, Red 60 Shore

Note: Additional colours available, but not stocked:

- Blue 70 Shore
- Gray 70 Shore
- Orange 70 Shore
- Green 70 Shore
- Colour Matching Available
- Parts can be made in a variety of lengths and colours. Please contact your Customer Service Representative for more information.

• Length tolerance is +/- 2 mm (0.079")

• Wall Thickness +/- 0.25mm (0.0098")



Caplugs No.	Dimensions						Packaging	
	Diameter A		Length B		Wall Thickness C		Carton Quantity	Mini Pack Quantity
	mm	In	mm	In	mm	In		
VC-0020-0130	2	0.0787	13	0.512	1	0.039	5000	1000
VC-0028-0130	2.8	0.1102	13	0.512	1	0.039	5000	1000
VC-0030-0130	3	0.1181	13	0.512	1.3	0.051	5000	1000
VC-0032-0130	3.2	0.1240	13	0.512	1.3	0.051	5000	1000
VC-0035-0130	3.5	0.1378	13	0.512	1.3	0.051	5000	1000
VC-0035-0190	3.5	0.1378	19	0.748	1.3	0.051	5000	1000
VC-0039-0130	3.9	0.1535	13	0.512	1.3	0.051	5000	1000
VC-0039-0190	3.9	0.1535	19	0.748	1.3	0.051	5000	1000
VC-0044-0130	4.4	0.1720	13	0.512	1.3	0.051	5000	1000
VC-0044-0190	4.4	0.1720	19	0.748	1.3	0.051	5000	1000
VC-0048-0130	4.8	0.1890	13	0.512	1.3	0.051	5000	1000
VC-0048-0190	4.8	0.1890	19	0.748	1.3	0.051	5000	1000
VC-0050-0130	5	0.1969	13	0.512	1.3	0.051	5000	1000
VC-0050-0190	5	0.1969	19	0.748	1.3	0.051	5000	1000
VC-0053-0130	5.2	0.2047	13	0.512	1.3	0.051	5000	1000
VC-0053-0190	5.2	0.2047	19	0.748	1.3	0.051	5000	1000
VC-0055-0130	5.5	0.2165	13	0.512	1.3	0.051	5000	1000
VC-0055-0190	5.5	0.2165	19	0.748	1.3	0.051	5000	1000
VC-0058-0130	5.8	0.2283	13	0.512	1.3	0.051	5000	1000
VC-0058-0190	5.8	0.2283	19	0.748	1.3	0.051	5000	1000
VC-0063-0130	6.3	0.2480	13	0.512	1.3	0.051	5000	1000
VC-0063-0190	6.3	0.2480	19	0.748	1.3	0.051	5000	1000
VC-0070-0130	7	0.2756	13	0.512	1.3	0.051	5000	1000
VC-0070-0190	7	0.2756	19	0.748	1.3	0.051	5000	1000
VC-0075-0130	7.5	0.2953	13	0.512	1.3	0.051	5000	1000
VC-0075-0190	7.5	0.2953	19	0.748	1.3	0.051	5000	1000
VC-0079-0130	7.9	0.3110	13	0.512	1.3	0.051	5000	1000
VC-0079-0190	7.9	0.3110	19	0.748	1.3	0.051	5000	1000
VC-0083-0130	8.3	0.3268	13	0.512	1.3	0.051	5000	1000
VC-0083-0190	8.3	0.3268	19	0.748	1.3	0.051	5000	1000
VC-0087-0130	8.7	0.3425	13	0.512	1.3	0.051	5000	1000
VC-0087-0190	8.7	0.3425	19	0.748	1.3	0.051	5000	1000
VC-0090-0130	9	0.3543	13	0.512	1.3	0.051	5000	1000
VC-0090-0190	9	0.3543	19	0.748	1.3	0.051	5000	1000
VC-0093-0130	9.3	0.3661	13	0.512	1.3	0.051	5000	1000
VC-0093-0190	9.3	0.3661	19	0.748	1.3	0.051	5000	1000
VC-0095-0130	9.5	0.3740	13	0.512	1.3	0.051	5000	1000
VC-0095-0190	9.5	0.3740	19	0.748	1.3	0.051	5000	1000
VC-0100-0130	10	0.3937	13	0.512	1.3	0.051	5000	1000
VC-0100-0190	10	0.3937	19	0.748	1.3	0.051	5000	1000
VC-0111-0130	11.1	0.4370	13	0.512	1.3	0.051	5000	1000
VC-0111-0190	11.1	0.4370	19	0.748	1.3	0.051	5000	1000
VC-0116-0130	11.6	0.4567	13	0.512	1.3	0.051	5000	1000
VC-0116-0190	11.6	0.4567	19	0.748	1.3	0.051	5000	1000

Caplugs No.	Dimensions						Packaging	
	Diameter A		Length B		Wall Thickness C		Carton Quantity	Mini Pack Quantity
	mm	In	mm	In	mm	In		
VC-0120-0130	12	0.4724	13	0.512	1.3	0.051	5000	1000
VC-0120-0190	12	0.4724	19	0.748	1.3	0.051	5000	1000
VC-0125-0130	12.5	0.4921	13	0.512	1.5	0.059	5000	1000
VC-0125-0190	12.5	0.4921	19	0.748	1.5	0.059	5000	1000
VC-0131-0130	13.1	0.5157	13	0.512	1.5	0.059	2500	500
VC-0131-0190	13.1	0.5157	19	0.748	1.5	0.059	2500	500
VC-0135-0130	13.5	0.5315	13	0.512	1.5	0.059	2500	500
VC-0135-0190	13.5	0.5315	19	0.748	1.5	0.059	2500	500
VC-0138-0130	13.8	0.5433	13	0.512	1.5	0.059	2500	500
VC-0138-0190	13.8	0.5433	19	0.748	1.5	0.059	2500	500
VC-0143-0130	14.3	0.5630	13	0.512	1.5	0.059	2500	500
VC-0143-0190	14.3	0.5630	19	0.748	1.5	0.059	2500	500
VC-0150-0130	15	0.0000	13	0.512	1.5	0.059	2500	500
VC-0150-0190	15	0.0000	19	0.748	1.5	0.059	2500	500
VC-0155-0130	15.5	0.6102	13	0.512	1.5	0.059	2500	500
VC-0155-0250	15.5	0.6102	25	0.984	1.5	0.059	2500	500
VC-0158-0130	15.8	0.6220	13	0.512	1.5	0.059	2500	500
VC-0158-0250	15.8	0.6220	25	0.984	1.5	0.059	2500	500
VC-0170-0130	17	0.6693	13	0.512	1.5	0.059	2500	500
VC-0170-0250	17	0.6693	25	0.984	1.5	0.059	2500	500
VC-0174-0130	17.4	0.6850	13	0.512	1.5	0.059	2500	500
VC-0174-0250	17.4	0.6850	25	0.984	1.5	0.059	2500	500
VC-0174-0380	17.4	0.6850	38	1.496	1.5	0.059	2500	500
VC-0180-0130	18	0.7087	13	0.512	1.5	0.059	2500	500
VC-0180-0250	18	0.7087	25	0.984	1.5	0.059	2500	500
VC-0186-0130	18.6	0.7323	13	0.512	1.5	0.059	2500	500
VC-0186-0250	18.6	0.7323	25	0.984	1.5	0.059	2500	500
VC-0190-0130	19	0.7480	13	0.512	1.5	0.059	2500	500
VC-0190-0250	19	0.7480	25	0.984	1.5	0.059	2500	500
VC-0190-0380	19	0.7480	38	1.496	1.5	0.059	2500	500
VC-0200-0130	20	0.7874	13	0.512	1.5	0.059	2500	500
VC-0200-0250	20	0.7874	25	0.984	1.5	0.059	2500	500
VC-0200-0380	20	0.7874	38	1.496	1.5	0.059	2500	500
VC-0206-0130	20.6	0.8110	13	0.512	1.5	0.059	2500	500
VC-0206-0250	20.6	0.8110	25	0.984	1.5	0.059	2500	500
VC-0206-0380	20.6	0.8110	38	1.496	1.5	0.059	2500	500
VC-0214-0130	21.4	0.8425	13	0.512	1.5	0.059	2500	500
VC-0214-0250	21.4	0.8425	25	0.984	1.5	0.059	2500	500
VC-0214-0380	21.4	0.8425	38	1.496	1.5	0.059	2500	500
VC-0220-0130	22	0.8661	13	0.512	1.7	0.067	2500	500
VC-0220-0250	22	0.8661	25	0.984	1.7	0.067	2500	500
VC-0220-0380	22	0.8661	38	1.496	1.7	0.067	2500	500

FLEXIBLE VINYL CAPS

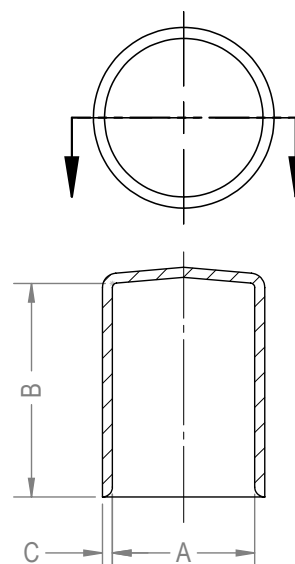


LoVen Product Line



VC Series (cont.)

VC Series vinyl caps are flexible and durable protective closures that are ideal for use as thread protectors, dust and moisture seals, pipe and stud end colour coding, for masking during painting and a wide variety of other applications.



Caplugs No.	Dimensions						Packaging	
	Diameter A		Length B		Wall Thickness C		Carton Quantity	Mini Pack Quantity
	mm	In	mm	In	mm	In		
VC-0230-0130	23	0.9055	13	0.512	1.7	0.067	2500	500
VC-0230-0250	23	0.9055	25	0.984	1.7	0.067	2500	500
VC-0230-0380	23	0.9055	38	1.496	1.7	0.067	2500	500
VC-0238-0130	23.8	0.9370	13	0.512	1.7	0.067	2500	500
VC-0238-0250	23.8	0.9370	25	0.984	1.7	0.067	2500	500
VC-0238-0380	23.8	0.9370	38	1.496	1.7	0.067	2500	500
VC-0250-0130	25	0.9843	13	0.512	1.7	0.067	2500	500
VC-0250-0250	25	0.9843	25	0.984	1.7	0.067	2500	500
VC-0250-0380	25	0.9843	38	1.496	1.7	0.067	2500	500
VC-0254-0130	25.4	1.0000	13	0.512	1.7	0.067	2500	500
VC-0254-0250	25.4	1.0000	25	0.984	1.7	0.067	2500	500
VC-0254-0380	25.4	1.0000	38	1.496	1.7	0.067	2500	500
VC-0264-0130	26.4	1.0394	13	0.512	1.7	0.067	2500	500
VC-0264-0250	26.4	1.0394	25	0.984	1.7	0.067	2500	500
VC-0264-0380	26.4	1.0394	38	1.496	1.7	0.067	2500	500
VC-0270-0130	27	1.0630	13	0.512	1.7	0.067	2500	500
VC-0270-0250	27	1.0630	25	0.984	1.7	0.067	2500	500
VC-0270-0380	27	1.0630	38	1.496	1.7	0.067	2000	400
VC-0286-0130	28.6	1.1260	13	0.512	1.7	0.067	2500	500
VC-0286-0250	28.6	1.1260	25	0.984	1.7	0.067	2500	500
VC-0286-0380	28.6	1.1260	38	1.496	1.7	0.067	2000	400
VC-0300-0250	30	1.1811	25	0.984	1.7	0.067	1000	200
VC-0300-0380	30	1.1811	38	1.496	1.7	0.067	1000	200
VC-0318-0250	31.8	1.2520	25	0.984	1.7	0.067	1000	200
VC-0318-0380	31.8	1.2520	38	1.496	1.7	0.067	1000	200
VC-0335-0250	33.5	1.3189	25	0.984	1.7	0.067	1000	200
VC-0335-0380	33.5	1.3189	38	1.496	1.7	0.067	1000	200
VC-0350-0250	35	1.3780	25	0.984	1.7	0.067	1000	200
VC-0350-0380	35	1.3780	38	1.496	1.7	0.067	1000	200
VC-0365-0250	36.5	1.4370	25	0.984	1.7	0.067	500	100
VC-0365-0380	36.5	1.4370	38	1.496	1.7	0.067	500	100
VC-0381-0250	38.1	1.5000	25	0.984	1.7	0.067	500	100
VC-0381-0380	38.1	1.5000	38	1.496	1.7	0.067	500	100
VC-0400-0250	40	1.5748	25	0.984	1.7	0.067	500	100
VC-0400-0380	40	1.5748	38	1.496	1.7	0.067	500	100
VC-0413-0250	41.3	1.6260	25	0.984	1.7	0.067	500	100
VC-0413-0380	41.3	1.6260	38	1.496	1.7	0.067	500	100
VC-0424-0250	42.4	1.6693	25	0.984	1.7	0.067	500	100
VC-0424-0380	42.4	1.6693	38	1.496	1.7	0.067	500	100
VC-0444-0250	44.4	1.7480	25	0.984	1.7	0.067	500	100
VC-0444-0380	44.4	1.7480	38	1.496	1.7	0.067	500	100
VC-0476-0250	47.6	1.8756	25	0.984	1.7	0.067	500	100
VC-0476-0380	47.6	1.8756	38	1.496	1.7	0.067	500	100
VC-0500-0250	50	1.9685	25	0.984	1.7	0.067	250	50
VC-0500-0380	50	1.9685	38	1.496	1.7	0.067	250	50

Caplugs No.	Dimensions						Packaging	
	Diameter A		Length B		Wall Thickness C		Carton Quantity	Mini Pack Quantity
	mm	In	mm	In	mm	In		
VC-0508-0250	50.8	2.000	25	0.984	1.7	0.067	250	50
VC-0508-0380	50.8	2.000	38	1.496	1.7	0.067	250	50
VC-0530-0250	53	2.0866	25	0.984	1.7	0.067	250	50
VC-0530-0380	53	2.0866	38	1.496	1.7	0.067	250	50
VC-0540-0250	54	2.1260	25	0.984	1.7	0.067	250	50
VC-0540-0380	54	2.1260	38	1.496	1.7	0.067	250	50
VC-0570-0250	57	2.2441	25	0.984	1.7	0.067	250	50
VC-0570-0380	57	2.2441	38	1.496	1.7	0.067	250	50
VC-0590-0250	59	2.3228	25	0.984	1.7	0.067	250	50
VC-0590-0380	59	2.3228	38	1.496	1.7	0.067	250	50
VC-0600-0250	60	2.3622	25	0.984	1.7	0.067	250	50
VC-0600-0380	60	2.3622	38	1.496	1.7	0.067	250	50
VC-0635-0250	63.5	2.5000	25	0.984	1.7	0.067	250	50
VC-0635-0380	63.5	2.5000	38	1.496	1.7	0.067	250	50
VC-0666-0250	66.6	2.6220	25	0.984	1.7	0.067	250	50
VC-0666-0380	66.6	2.6220	38	1.496	1.7	0.067	250	50
VC-0698-0250	69.8	2.7480	25	0.984	1.7	0.067	250	50
VC-0698-0380	69.8	2.7480	38	1.496	1.7	0.067	250	50
VC-0730-0250	73	2.8740	25	0.984	1.7	0.067	250	50
VC-0730-0380	73	2.8740	38	1.496	1.7	0.067	250	50
VC-0760-0250	76	2.9921	25	0.984	1.7	0.067	250	50
VC-0760-0380	76	2.9921	38	1.496	1.7	0.067	250	50
VC-0815-0250	81.5	3.2087	25	0.984	1.7	0.067	150	-
VC-0815-0380	81.5	3.2087	38	1.496	1.7	0.067	150	-
VC-0858-0250	85.8	3.3780	25	0.984	1.7	0.067	150	-
VC-0858-0380	85.8	3.3780	38	1.496	1.7	0.067	150	-
VC-0889-0250	88.9	3.5000	25	0.984	1.7	0.067	150	-
VC-0889-0380	88.9	3.5000	38	1.496	1.7	0.067	150	-
VC-0900-0250	90	3.5433	25	0.984	1.7	0.067	150	-
VC-0900-0380	90	3.5433	38	1.496	1.7	0.067	150	-
VC-1000-0250	100	3.9370	25	0.984	1.7	0.067	50	-
VC-1000-0380	100	3.9370	38	1.496	1.7	0.067	50	-
VC-1015-0250	101.5	3.9961	25	0.984	1.7	0.067	50	-
VC-1015-0380	101.5	3.9961	38	1.496	1.7	0.067	50	-
VC-1140-0250	114	4.4882	25	0.984	1.7	0.067	50	-
VC-1140-0380	114	4.4882	38	1.496	1.7	0.067	50	-
VC-1200-0250	120	4.7244	25	0.984	1.7	0.067	50	-
VC-1200-0380	120	4.7244	38	1.496	1.7	0.067	50	-
VC-1520-0250	152	5.9843	25	0.984	1.7	0.067	50	-
VC-1520-0380	152	5.9843	38	1.496	1.7	0.067	50	-
VC-1650-0250	165	6.4961	25	0.984	1.7	0.067	50	-
VC-1650-0380	165	6.4961	38	1.496	1.7	0.067	50	-
VC-1710-0250	171	6.7323	25	0.984	1.7	0.067	50	-
VC-1710-0380	171	6.7323	38	1.496	1.7	0.067	50	-
VC-2030-0250	203	7.9921	25	0.984	1.7	0.067	40	-

FLEXIBLE VINYL CAPS



VFE Series

Flexible Vinyl Caps with Ergonomic Pull-Tab
VFE Series vinyl caps protect against dirt, moisture and impact damage. They are designed with a flat, ergonomic pull-tab that is larger and contoured for easy gripping and cap removal. The tab is centered at the top of the closure for easy removal by hand, eliminating the use of tools that could damage threads or part surfaces.

- 35+ sizes available
- Stocked in diameters ranging from 4.8 mm to 28.6 mm
- Custom lengths available using existing tools
- Flexible vinyl provides a snug fit
- Free sample requests are for parts listed in chart only
- New sizes are always being added

Material: Vinyl

Standard Colours: Black 70 Shore, Yellow 70 Shore, Red 60 Shore

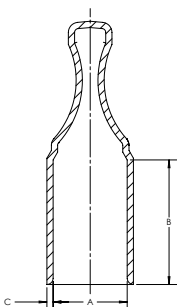
Note: Additional colours available, but not stocked:

- Blue 70 Shore
- Gray 70 Shore
- Orange 70 Shore
- Green 70 Shore
- Colour Matching Available

Parts can be made in a variety of lengths and colours.

Please contact your Customer Service Representative for more information.

- Length tolerance is +/- 2 mm (0.079")
- Wall Thickness +/- 0.25mm (0.0098")



LoVen Product Line

Caplugs No.	Dimensions						Packaging	
	Diameter A		Length B		Wall Thickness C		Carton Quantity	Mini Pack Quantity
	mm	In	mm	In	mm	In		
VFE-0048-0130	4.8	0.189	13	0.512	1.3	0.051	5000	1000
VFE-0075-0130	7.5	0.295	13	0.512	1.3	0.051	5000	1000
VFE-0075-0250	7.5	0.295	25	0.984	1.3	0.051	5000	1000
VFE-0077-0130	7.7	0.303	13	0.512	1.3	0.051	5000	1000
VFE-0077-0250	7.7	0.303	25	0.984	1.3	0.051	5000	1000
VFE-0080-0130	8	0.315	13	0.512	1.3	0.051	5000	1000
VFE-0080-0250	8	0.315	25	0.984	1.3	0.051	5000	1000
VFE-0091-0130	9.1	0.358	13	0.512	1.3	0.051	5000	1000
VFE-0091-0250	9.1	0.358	25	0.984	1.3	0.051	5000	1000
VFE-0095-0130	9.5	0.374	13	0.512	1.3	0.051	5000	1000
VFE-0095-0250	9.5	0.374	25	0.984	1.3	0.051	5000	1000
VFE-0097-0130	9.7	0.382	13	0.512	1.3	0.051	5000	1000
VFE-0097-0250	9.7	0.382	25	0.984	1.3	0.051	5000	1000
VFE-0108-0130	10.8	0.425	13	0.512	1.3	0.051	5000	1000
VFE-0108-0250	10.8	0.425	25	0.984	1.3	0.051	5000	1000
VFE-0111-0130	11.1	0.437	13	0.512	1.3	0.051	5000	1000
VFE-0111-0250	11.1	0.437	25	0.984	1.3	0.051	5000	1000
VFE-0119-0130	11.9	0.469	13	0.512	1.3	0.051	5000	1000
VFE-0119-0250	11.9	0.469	25	0.984	1.3	0.051	5000	1000
VFE-0124-0130	12.4	0.488	13	0.512	1.5	0.059	5000	1000
VFE-0124-0250	12.4	0.488	25	0.984	1.5	0.059	5000	1000
VFE-0132-0130	13.2	0.520	13	0.512	1.5	0.059	5000	1000
VFE-0132-0250	13.2	0.520	25	0.984	1.5	0.059	5000	1000
VFE-0152-0130	15.2	0.598	13	0.512	1.5	0.059	2000	400
VFE-0152-0250	15.2	0.598	25	0.984	1.5	0.059	2000	400
VFE-0156-0130	15.6	0.614	13	0.512	1.5	0.059	2000	400
VFE-0156-0250	15.6	0.614	25	0.984	1.5	0.059	2000	400
VFE-0159-0130	15.9	0.626	13	0.512	1.5	0.059	2000	400
VFE-0159-0250	15.9	0.626	25	0.984	1.5	0.059	2000	400
VFE-0163-0130	16.3	0.642	13	0.512	1.5	0.059	2000	400
VFE-0163-0250	16.3	0.642	25	0.984	1.5	0.059	2000	400
VFE-0170-0130	17	0.669	13	0.512	1.5	0.059	2000	400
VFE-0217-0130	21.7	0.854	13	0.512	1.5	0.059	2000	400
VFE-0217-0250	21.7	0.854	25	0.984	1.5	0.059	2000	400
VFE-0280-0130	28	1.102	13	0.512	1.7	0.067	2000	400
VFE-0280-0250	28	1.102	25	0.984	1.7	0.067	2000	400
VFE-0286-0130	28.6	1.126	13	0.512	1.7	0.067	2000	400
VFE-0286-0250	28.6	1.126	25	0.984	1.7	0.067	2000	400



VFC Series

LoVen Product Line

Flexible Vinyl Caps with Flat Pull-Tab for Easy Removal

VFC Series flexible vinyl caps with pull-tabs protect against dirt, moisture and impact damage. These caps feature a flat tab centered at the top of the closure to allow the cap to be easily removed by hand, eliminating the use of tools that could damage threads or part surfaces.

- 15+ sizes available
- Stocked in diameters ranging from 5.9 mm to 14 mm
- Custom lengths available using existing tools
- Flexible vinyl provides a snug fit
- Free sample requests are for parts listed in chart only
- New sizes are always being added

Material: Vinyl

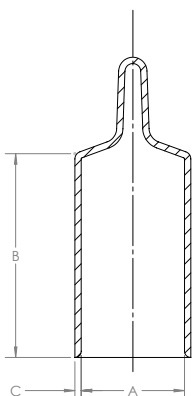
Standard Colours: Black 70 Shore, Yellow 70 Shore, Red 60 Shore

Note: Additional colours available, but not stocked:

- Blue 70 Shore
- Gray 70 Shore
- Orange 70 Shore
- Green 70 Shore
- Colour Matching Available

Parts can be made in a variety of lengths and colours. Please contact your Customer Service Representative for more information.

- Length tolerance is +/- 2 mm (0.079")
- Wall Thickness +/- 0.25mm (0.0098")



Caplugs No.	Dimensions						Packaging	
	Diameter A		Length B		Wall Thickness C		Carton Quantity	Mini Pack Quantity
	mm	In	mm	In	mm	In		
VFC-0059-0130	5.9	0.232	13	0.512	1.3	0.051	5000	1000
VFC-0059-0250	5.9	0.232	25	0.984	1.3	0.051	5000	1000
VFC-0063-0130	6.3	0.248	13	0.512	1.3	0.051	5000	1000
VFC-0063-0250	6.3	0.248	25	0.984	1.3	0.051	5000	1000
VFC-0068-0130	6.8	0.268	13	0.512	1.3	0.051	5000	1000
VFC-0068-0250	6.8	0.268	25	0.984	1.3	0.051	5000	1000
VFC-0075-0130	7.5	0.295	13	0.512	1.3	0.051	5000	1000
VFC-0075-0250	7.5	0.295	25	0.984	1.3	0.051	5000	1000
VFC-0076-0130	7.6	0.299	13	0.512	1.3	0.051	5000	1000
VFC-0076-0250	7.6	0.299	25	0.984	1.3	0.051	5000	1000
VFC-0079-0130	7.9	0.311	13	0.512	1.3	0.051	5000	1000
VFC-0079-0250	7.9	0.311	25	0.984	1.3	0.051	5000	1000
VFC-0092-0130	9.2	0.360	13	0.512	1.3	0.051	2500	500
VFC-0092-0250	9.2	0.360	25	0.984	1.3	0.051	2500	500
VFC-0135-0130	13.5	0.531	13	0.512	1.5	0.059	1500	300
VFC-0135-0250	13.5	0.531	25	0.984	1.5	0.059	1500	300
VFC-0140-0130	14	0.551	13	0.512	1.5	0.059	1500	300
VFC-0140-0250	14	0.551	25	0.984	1.5	0.059	1500	300

FLEXIBLE VINYL CAPS



EZ Series

Flexible Vinyl Caps with Round Pull-Tab for Easy Removal

EZ Series vinyl caps protect against dirt, moisture and impact damage. These caps have an extra-long tab centered at the top of the closure for easy removal by hand, eliminating the use of tools that could damage threads or part surfaces.

- 15+ sizes available
- Stocked in diameters ranging from 6 mm to 15.4 mm
- Custom lengths available using existing tools
- Flexible vinyl provides a snug fit
- Free sample requests are for parts listed in chart only
- New sizes are always being added

Material: Vinyl

Standard Colours: Black 70 Shore, Yellow 70 Shore, Red 60 Shore

Note: Additional colours available, but not stocked:

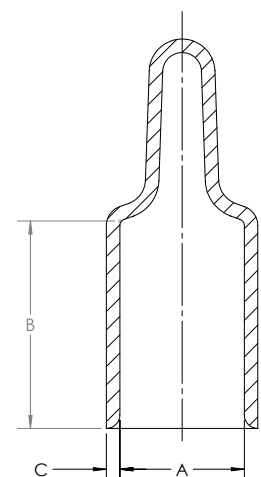
- Blue 70 Shore
- Gray 70 Shore
- Orange 70 Shore
- Green 70 Shore
- Colour Matching Available

Parts can be made in a variety of lengths and colours. Please contact your Customer Service Representative for more information.

- Length tolerance is +/- 2 mm (0.079")
- Wall Thickness +/- 0.25mm (0.0098")

LoVen Product Line

Caplugs No.	End Type	Dimensions						Packaging	
		Diameter A		Length B		Wall Thickness C		Carton Quantity	Mini Pack Quantity
		mm	In	mm	In	mm	In		
EZ-0060-0130	Round	6	0.236	13	0.512	1.3	0.051	5000	1000
EZ-0060-0250	Round	6	0.236	25	0.984	1.3	0.051	5000	1000
EZ-0075-0130	Round	7.5	0.295	13	0.512	1.3	0.051	5000	1000
EZ-0075-0250	Round	7.5	0.295	25	0.984	1.3	0.051	5000	1000
EZ-0079-0130	Round	7.9	0.311	13	0.512	1.3	0.051	5000	1000
EZ-0079-0250	Round	7.9	0.311	25	0.984	1.3	0.051	5000	1000
EZ-0090-0130	Round	9	0.354	13	0.512	1.3	0.051	2500	500
EZ-0090-0250	Round	9	0.354	25	0.984	1.3	0.051	2500	500
EZ-0094-0130	Round	9.4	0.370	13	0.512	1.3	0.051	2500	500
EZ-0094-0250	Round	9.4	0.370	25	0.984	1.3	0.051	2500	500
EZ-0103-0130	Round	10.3	0.406	13	0.512	1.3	0.051	2500	500
EZ-0103-0250	Round	10.3	0.406	25	0.984	1.3	0.051	2500	500
EZ-0124-0130	Round	12.4	0.488	13	0.512	1.3	0.051	2500	500
EZ-0124-0250	Round	12.4	0.488	25	0.984	1.3	0.051	2500	500
EZ-0152-0130	Round	15.2	0.598	13	0.512	1.5	0.059	1500	300
EZ-0154-0130	Round	15.4	0.606	13	0.512	1.5	0.059	1500	300
EZ-0154-0250	Round	15.4	0.606	25	0.984	1.5	0.059	1500	300





VSC Series

Flexible Vinyl Square Caps

VSC Series vinyl square caps are designed for use with square tubing. The caps are strong and tough, yet flexible enough to stretch out for a perfect fit.

- 12 sizes available
- Stocked in diameters ranging from 8 mm to 100 mm
- Custom lengths available using existing tools
- Flexible vinyl provides a snug fit
- Free sample requests are for parts listed in chart only
- New sizes are always being added

Material: Vinyl

Standard Colours: Black 70 Shore, Yellow 70 Shore, Red 60 Shore

Note: Additional colours available, but not stocked:

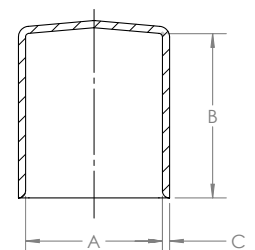
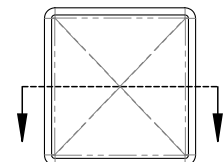
- Blue 70 Shore
- Gray 70 Shore
- Orange 70 Shore
- Green 70 Shore
- Colour Matching Available

Parts can be made in a variety of lengths and colours. Please contact your Customer Service Representative for more information.

- Length tolerance is +/- 2 mm (0.079")
- Wall Thickness +/- 0.25mm (0.0098")

LoVen Product Line

Caplugs No.	Dimensions						Packaging	
	Width A		Length B		Wall Thickness C		Carton Quantity	Mini Pack Quantity
	mm	In	mm	In	mm	In		
VSC-080-0130	8	0.315	13	0.512	1.3	0.051	1000	200
VSC-0100-0130	10	0.394	13	0.512	1.3	0.051	1000	200
VSC-0245-0250	24.5	0.965	25	0.984	1.7	0.067	1000	200
VSC-0250-0250	25	0.984	25	0.984	1.7	0.067	1000	200
VSC-0300-0250	30	1.181	25	0.984	1.7	0.067	1000	200
VSC-0400-0250	40	1.575	25	0.984	1.7	0.067	750	150
VSC-0500-0250	50	1.969	25	0.984	1.7	0.067	750	150
VSC-0600-0380	60	2.362	38	1.496	1.7	0.067	250	50
VSC-0800-0380	80	3.150	38	1.496	1.7	0.067	250	-
VSC-0850-0500	85	3.346	50	1.969	1.7	0.067	100	-
VSC-0900-0500	90	3.543	50	1.969	1.7	0.067	100	-
VSC-1000-0500	100	3.937	50	1.969	1.9	0.075	100	-



FLEXIBLE VINYL CAPS



VRF Series

Vinyl Rectangular Caps and Grips (Flat End)
VRF Series vinyl rectangular finishing caps and grips (flat end) slip on quickly and maintain a snug fit. The caps have many applications including handle grips, paint shields, end caps and electronics covers.

- Printing is available
- Free sample requests are for parts listed in chart only
- New sizes are always being added

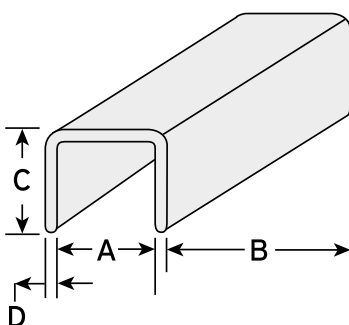
Material: Vinyl
Standard Colours: Black 70 Shore, Yellow 70 Shore, Red 60 Shore

Note: Additional colours available, but not stocked:

- Blue 70 Shore
- Gray 70 Shore
- Orange 70 Shore
- Green 70 Shore
- Colour Matching Available

Parts can be made in a variety of lengths and colours. Please contact your Customer Service Representative for more information.

- Length tolerance is +/- 2 mm (0.079")
- Wall Thickness +/- 0.25mm (0.0098")



LoVen Product Line

Caplugs No.	Dimensions						Packaging	
	Width A		Height C		Wall Thickness D		Carton Quantity	Mini Pack Quantity
	mm	In	mm	In	mm	In		
VRF-0016-0110-0254	11.9	0.433	1.6	0.063	1.3	0.051	5000	1000
VRF-0016-0119-0254	11.0	0.433	1.6	0.063	1.3	0.051	5000	1000
VRF-0020-0240-0254	24.0	0.945	2.0	0.079	1.3	0.051	2500	500
VRF-0030-0270-0254	27.0	1.063	3.0	0.118	1.5	0.059	2000	400
VRF-0030-0440-0254	44.0	1.732	3.0	0.118	1.5	0.059	2000	400
VRF-0040-0150-0254	15.0	0.591	4.0	0.157	1.5	0.059	3000	600
VRF-0040-0200-0254	20.0	0.787	4.0	0.157	1.5	0.059	2500	500
VRF-0040-0300-0254	30.0	1.181	4.0	0.157	1.5	0.059	1500	300
VRF-0045-0215-0254	21.5	0.846	4.5	0.177	1.5	0.059	2500	500
VRF-0047-0154-0254	15.4	0.606	4.7	0.185	1.5	0.059	3000	600
VRF-0048-0492-0254	49.2	1.937	4.8	0.189	1.5	0.059	1000	200
VRF-0050-0250-0254	25.0	0.984	5.0	0.197	1.5	0.059	1500	300
VRF-0050-0320-0254	32.0	1.260	5.0	0.197	1.5	0.059	1500	300
VRF-0050-0800-0254	80.0	3.150	5.0	0.197	1.5	0.059	750	150
VRF-0060-0200-0254	20.0	0.787	6.0	0.236	1.5	0.059	2000	400
VRF-0060-0300-0254	30.0	1.181	6.0	0.236	1.5	0.059	1000	200
VRF-0064-0127-0254	12.7	0.500	6.4	0.252	1.5	0.059	3000	600
VRF-0080-0120-0254	12.0	0.472	8.0	0.315	1.5	0.059	2000	400
VRF-0080-0200-0254	20.0	0.787	8.0	0.315	1.5	0.059	2000	400
VRF-0080-0250-0254	25.0	0.984	8.0	0.315	1.5	0.059	2000	400
VRF-0080-0270-0254	27.0	1.063	8.0	0.315	1.5	0.059	2000	400
VRF-0080-0500-0254	50.0	1.969	8.0	0.315	1.5	0.059	1000	200
VRF-0082-0180-0254	18.0	0.709	8.2	0.323	1.5	0.059	2000	400
VRF-0083-0560-0254	56.0	2.205	8.3	0.327	1.5	0.059	1000	200
VRF-0100-0150-0254	15.0	0.591	10.0	0.394	1.5	0.059	2500	500
VRF-0100-0500-0254	50.0	1.969	10.0	0.394	1.5	0.059	1000	200
VRF-0110-1080-0254	108.0	4.252	11.0	0.433	1.5	0.059	500	100
VRF-0120-0240-0254	24.0	0.945	12.0	0.472	1.7	0.067	1000	200
VRF-0130-0450-0254	45.0	1.772	13.0	0.512	1.7	0.067	1000	200
VRF-0150-0300-0254	30.0	1.181	15.0	0.591	1.7	0.067	1000	200
VRF-0150-0400-0254	40.0	1.575	15.0	0.591	1.7	0.067	1000	200
VRF-0200-0400-0254	40.0	1.575	20.0	0.787	1.7	0.067	1000	200
VRF-0280-0660-0254	66.0	2.598	28.0	1.102	1.7	0.067	750	150
VRF-0290-0630-0254	63.0	2.480	29.0	1.142	1.7	0.067	750	150
VRF-0300-0500-0254	50.0	1.969	30.0	1.181	1.7	0.067	750	150
VRF-0302-0667-0254	66.7	2.626	30.2	1.189	1.7	0.067	750	150
VRF-0400-0800-0254	80.0	3.150	40.0	1.575	1.7	0.067	500	100
VRF-0900-1475-0254	147.5	5.807	90.0	3.543	1.7	0.067	250	N/A

VRF Series Length B (drawing to left) is the same 25.4 mm (1"). All other lengths are available upon request.



VRR Series

Vinyl Rectangular Caps and Grips (Cap Round End)

VRR Series vinyl rectangular finishing caps and grips (round end) slip on quickly and maintain a snug fit. The caps have many applications including handle grips, paint shields, end caps and electronics covers.

- Printing is available
- Free sample requests are for parts listed in chart only
- New sizes are always being added

Material: Vinyl

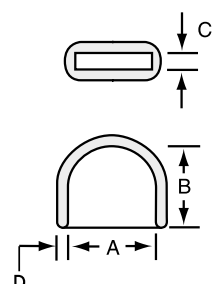
Standard Colours: Black 70 Shore, Yellow 70 Shore, Red 60 Shore

Note: Additional colours available, but not stocked:

- Blue 70 Shore
- Gray 70 Shore
- Orange 70 Shore
- Green 70 Shore
- Colour Matching Available

Parts can be made in a variety of lengths and colours. Please contact your Customer Service Representative for more information.

- Length tolerance is +/- 2 mm (0.079")
- Wall Thickness +/- 0.25mm (0.0098")



LoVen Product Line

Caplugs No.	Dimensions						Packaging	
	Height C		Width A		Wall Thickness D		Carton Quantity	Mini Pack Quantity
	mm	In	mm	In	mm	In		
VRR-0013-0090-0254	1.3	0.051	9	0.354	1.3	0.051	5000	1000
VRR-0020-0190-0254	2	0.079	19	0.748	1.3	0.051	5000	1000
VRR-0030-0150-0254	3	0.118	15	0.591	1.5	0.059	3000	600
VRR-0030-0175-0254	3	0.118	17.5	0.689	1.5	0.059	2500	500
VRR-0030-0250-0254	3	0.118	25	0.984	1.5	0.059	2500	500
VRR-0030-0280-0254	3	0.118	28	1.102	1.5	0.059	2500	500
VRR-0040-0220-0254	4	0.157	22	0.866	1.5	0.059	1500	300
VRR-0047-0251-0254	4.7	0.185	25.1	0.988	1.5	0.059	1500	300
VRR-0048-0315-0254	4.8	0.189	31.5	1.240	1.5	0.059	1500	300
VRR-0050-0250-0254	5	0.197	25	0.984	1.5	0.059	1500	300
VRR-0050-0300-0254	5	0.197	30	1.181	1.5	0.059	1500	300
VRR-0050-0400-0254	5	0.197	40	1.575	1.5	0.059	1500	300
VRR-0050-0500-0254	5	0.197	50	1.969	1.5	0.059	1500	300
VRR-0060-0200-0254	6	0.236	20	0.787	1.5	0.059	2000	400
VRR-0060-0240-0254	6	0.236	24	0.945	1.5	0.059	2000	400
VRR-0080-0250-0254	8	0.315	25	0.984	1.5	0.059	1500	300
VRR-0080-0400-0254	8	0.315	40	1.575	1.5	0.059	1000	200
VRR-0100-0290-0254	10	0.394	29	1.142	1.5	0.059	1000	200
VRR-0127-0315-0254	12.7	0.500	31.5	1.240	1.7	0.067	1000	200
VRR-0200-0680-0254	20	0.787	68	2.677	1.7	0.067	1000	200
VRR-0300-0400-0254	30	1.181	40	1.575	1.7	0.067	1000	200

VRR Series Length B (drawing to left) is the same 25.4 mm (1").
All other lengths are available upon request.

FLEXIBLE VINYL CAPS



VOR Series

LoVen Product Line

Vinyl Rings for Tube Ends

VOR Series vinyl rings for tube ends are designed to protect tube ends. Typically used in the automotive, scuba equipment and painting industries, these vinyl rings provide maximum protection against sharp edges.

- Available in several common sizes
- Slip on easily and maintain a snug fit
- Free sample requests are for parts listed in chart only
- New sizes are always being added

Material: Vinyl

Standard Colours: Black 70 Shore, Yellow 70 Shore, Red 60 Shore

Note: Additional colours available, but not stocked:

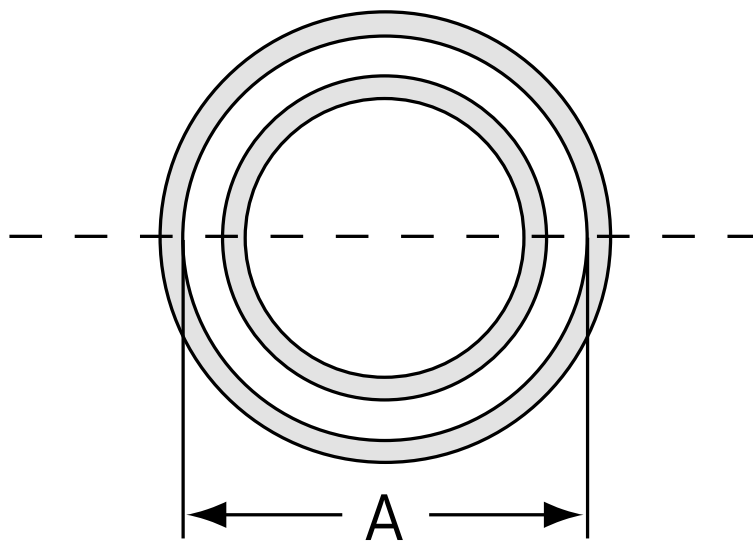
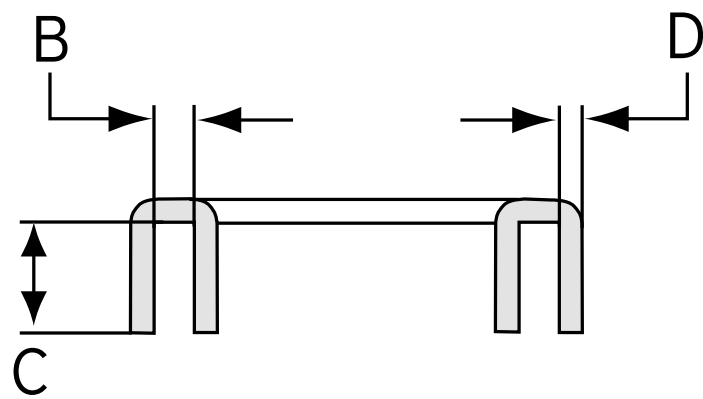
- Blue 70 Shore
- Gray 70 Shore
- Orange 70 Shore
- Green 70 Shore
- Colour Matching Available

Parts can be made in a variety of lengths and colours. Please contact your Customer Service Representative for more information.

- Length tolerance is +/- 2 mm (0.079")
- Wall Thickness +/- 0.25mm (0.0098")

Caplugs No.	Dimensions						Packaging	
	Diameter A		Mould Thickness B		Wall D		Carton Quantity	Mini Pack Quantity
	mm	In	mm	In	mm	In		
VOR-0010-1120-0130	112.0	4.409	1.0	0.039	1.7	0.067	500	100
VOR-0012-0160-0130	16.0	0.63	1.2	0.047	1.5	0.059	500	100
VOR-0012-0200-0130	20.0	0.787	1.2	0.047	1.5	0.059	3000	600
VOR-0013-0250-0130	25.0	0.984	1.3	0.051	1.7	0.067	3000	600
VOR-0013-0300-0130	30.0	1.181	1.3	0.051	1.7	0.067	1500	300
VOR-0015-0400-0130	40.0	1.575	1.5	0.059	1.7	0.067	2000	400
VOR-0016-0500-0130	50.0	1.969	1.6	0.063	1.7	0.067	1000	200
VOR-0017-0630-0130	63.0	2.48	1.7	0.067	1.7	0.067	1500	300
VOR-0019-0300-0130	30.0	1.181	1.9	0.075	1.7	0.067	2000	400
VOR-0022-0270-0130	27.0	1.063	2.2	0.087	1.7	0.067	3000	600
VOR-0022-0330-0130	33.0	1.299	2.2	0.087	1.7	0.067	1500	300
VOR-0025-0433-0130	43.3	1.705	2.5	0.089	1.7	0.067	2000	400
VOR-0025-0603-0130	60.3	2.374	2.5	0.089	1.7	0.067	2000	400
VOR-0032-0337-0130	33.7	1.327	3.2	0.126	1.7	0.067	1000	200
VOR-0032-0485-0130	48.5	1.909	3.2	0.126	1.7	0.067	1500	300
VOR-0034-0422-0130	42.2	1.661	3.4	0.134	1.7	0.067	2500	500
VOR-0036-0890-0130	89.0	3.504	3.6	0.142	1.7	0.067	1500	300

VOR Series Length C (drawing to left) is available in 13 mm (0.512").
All other lengths are available upon request.



FLEXIBLE VINYL SLEEVES



OCS Series

LoVen Product Line

Vinyl Open Cover Squares

Used on a variety of different post protection applications. Commonly used in the farming industry to protect the base of livestock farming from degradation. Vinyl protects the post from the elements while providing a finished look.

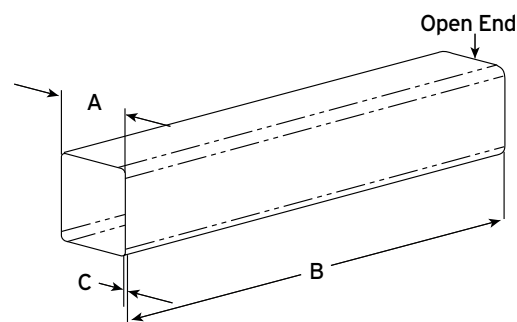
- Free sample requests are for parts listed in chart only
- New sizes are always being added

Material: Vinyl

Standard Colour: Black 70 Shore

- Lengths (B Dimension) are available in 180 mm (7.087") increments
- Length tolerance is +/- 2 mm (0.079")
- Wall Thickness +/- 0.25mm (0.0098")

Caplugs No.	Dimensions						Packaging	
	Diameter A		Length B		Wall Thickness C		Carton Quantity	Mini Pack Quantity
	mm	In	mm	In	mm	In		
OCS-0400-1800	40	1.575	180	7.087	1.8	0.071	200	40
OCS-0700-1800	70	2.756	180	7.087	1.8	0.071	70	-
OCS-0800-1800	80	3.150	180	7.087	1.8	0.071	50	-
OCS-0900-1800	90	3.543	180	7.087	1.8	0.071	50	-





OCR Series

Vinyl Open Cover Rounds

Used on a variety of different post protection applications. Commonly used in the farming industry to protect the base of livestock farming from degradation. Vinyl protects the post from the elements while providing a finished look.

- Free sample requests are for parts listed in chart only
- New sizes are always being added

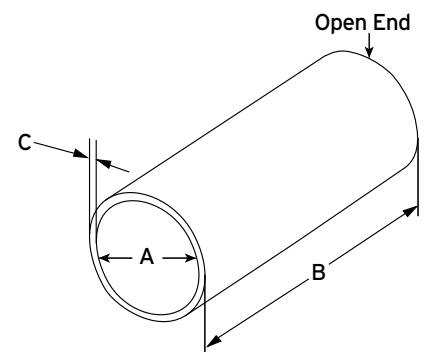
Material: Vinyl

Standard Colour: Black 70 Shore

- Lengths (B Dimension) are available in 180 mm (7.087") increments
- Length tolerance is +/- 2 mm (0.079")
- Wall Thickness +/- 0.25mm (0.0098")

LoVen Product Line

Caplugs No.	Dimensions						Packaging	
	Diameter A		Length B		Wall Thickness C		Carton Quantity	Mini Pack Quantity
	mm	In	mm	In	mm	In		
OCR-0330-1800	33	1.299	180	7.087	1.8	0.071	300	60
OCR-0480-1800	48	1.890	180	7.087	1.8	0.071	150	30
OCR-0600-1800	60	2.362	180	7.087	1.8	0.071	100	20
OCR-0760-1800	76	2.992	180	7.087	1.8	0.071	70	-
OCR-0800-1800	80	3.150	180	7.087	1.8	0.071	50	-
OCR-0890-1800	89	3.504	180	7.087	1.8	0.071	50	-
OCR-1020-1800	102	4.016	180	7.087	1.8	0.071	30	-
OCR-1130-1800	113	4.449	180	7.087	1.8	0.071	30	-



FLEXIBLE VINYL SLEEVES



HB Series

LoVen Product Line

Hose Bend Restrictors

HB Series hose bend restrictors reduce bending stress near the hose coupling junction. This added protection prevents damage to the hose and ultimately extends its life cycle. The upper lip firmly attaches to the coupling, holding the restrictor in place, eliminating the need for costly adhesives or clamps.

- Tapered for easy installation
- Works with a variety of hydraulic and pressure-wash hoses

• Free sample requests are for parts listed in chart only

• New sizes are always being added

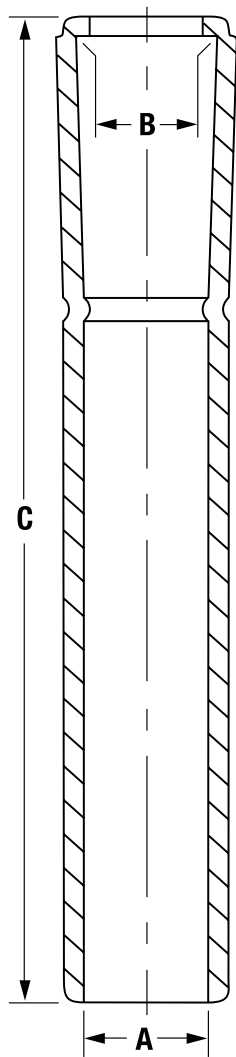
Material: Vinyl

Standard Colours: Black 85 Shore

- Length tolerance is +/- 2 mm (0.079")
- Wall Thickness +/- 0.25mm (0.0098")

Caplugs No.	Dimensions						Packaging	
	Diameter A		Diameter B		Length C		Carton Quantity	Mini Pack Quantity
	mm	In	mm	In	mm	In		
HB-13	10.6	0.417	13.0	0.512	130	5.118	500	100
HB-14	10.7	0.421	13.0	0.512	130	5.118	500	100
HB-15	12.1	0.475	16.1	0.632	150	5.906	500	100
HB-16	12.2	0.480	18.9	0.744	190	7.480	500	100
HB-17	13.1	0.514	15.1	0.594	150	5.906	500	100
HB-18	14.2	0.559	19.0	0.750	185	7.283	500	100
HB-19	15.6	0.612	16.6	0.652	135	5.150	300	60
HB-50	17.0	0.671	18.4	0.723	190	7.480	300	60
HB-110	22.1	0.872	24.7	0.972	220	8.661	250	50
HB-120	27.5	1.083	40.0	1.575	240	9.449	250	50
HB-130	28.6	1.126	38.1	1.500	260	10.236	250	50

Wall thickness for all HB Series is 3.5 mm (0.138") and is made of 85 shore material.





Weldalloy
Hose Protection

LoVen
Vinyl Products

The Weldalloy group of companies, acquired by Caplugs® in 2018 with production facilities on three continents and is the world's leading manufacturer of spiral protective wrap. Our trademarked Pig's Tail™ spiral wrap is sold and used in over 40 countries and is the preferred brand in the hydraulic and mining sector - sought out for its durability and user-friendly installation.

Today, the Weldalloy group of companies have integrated with Loven Vinyl Products under the Caplugs® name offering one comprehensive line of plastic product protection. We still have the same great teams in our Belgium and Holland facilities that remain focused on product quality and customer service.

As Caplugs® continues to grow, we will integrate even more capabilities and new products to be your single source and trusted partner for all your product protection and custom moulding needs.



HOSE PROTECTION



Pig's Tail™ Protective Wrapping

Sizes: 15

Internal Diameter Range: 7 mm - 149 mm

External Diameter Range: 9 mm - 160 mm

Helix Width Range: 6.5 mm - 60 mm

Pig's Tail™ protective wrapping is made to protect hydraulic and pneumatic hoses against shocks, abrasion and deteriorations.

As cost effectiveness is always a critical consideration, our Pig's Tail™ protective wrapping can help you reduce your maintenance costs and equipment downtime.

Made from High Density Polyethylene* (HDPE) Pig's Tail™ protective wrapping can easily be mounted on existing or new assembled hydraulic hoses, giving them protection against wear and damage caused by aggressive working conditions.

Other advantages of the Pig's Tail™ protective wrapping:

- Can be used for a single hose or a bundle of hoses.
- Suitable for use with equipment operating across a wide temperature range from -50°C up to +120°C.
- Rounded edges for easy and safe mounting.
- Suitable for use with all hydraulic fluids including glycol and phosphate ester based products.
- Free sample requests are for parts listed in chart only

Standard colour is black; also available in yellow, blue, red and green.

Weldalloy Product Line

Product Code	Internal Diameter (mm)*	External Diameter (mm)*	Wall Thickness (mm)	Pitch	Meters/Box
R9SSG	7	9	1,5	6,50	150
R12SSG	10	12	1,5	10	20/50
R16SSG	11,5	16	1,5	12	20/50
R20SSG	14	20	1,8	14,50	20/50
R25SSG	20	25	2	21	20/50
R32SSG	25	32	2,4	24	20/50
R40SSG	32	40	2,4	30	20/50
R50SSG	38	50	3	35	20/50
R63SSG	50	63	3,5	40	20
R75SSG	60	75	3,8	40	20
R90SSG	72	90	4,6	45	20
R110SSG	87	110	5,5	55	12
R125SSG	114	125	5,5	55	12
R140SSG	129	140	5,5	55	8
R160SSG	149	160	5,5	60	6

* Nominal dimensions



Fire Retardant Anti-Static (FRAS)

Sizes: 11

Internal Diameter Range: 10 mm - 87 mm

External Diameter Range: 12.5 mm - 110 mm

Helix Width Range: 10 mm - 55 mm

FRAS Pig's Tail™ protective wrapping is a conductive thermoplastic compound on a polyethylene base. Conductivity is achieved by using special conductive carbon black. In addition to low electrical resistivity, FRAS is flame retardant and has an extremely good balance of mechanical properties.

- Free sample requests are for parts listed in chart only

Tested and certified to:

- AS2600
- AS1180.10B
- AS1180.13A
- MSHA - approved
- SIMTARS
- ATEX

Weldalloy Product Line

Product Code	Internal Diameter (mm)*	External Diameter (mm)*	Wall Thickness (mm)	Pitch	Meters/Box
FRAS12-50	10	12	1.5	10	50
FRAS16-20	11.5	16	1.5	12	20
FRAS20-20	14	20	1.8	14.50	20
FRAS25-20	20	25	2	21	20
FRAS32-20	25	32	2.4	24	20
FRAS40-20	32	40	2.4	30	20
FRAS50-20	38	50	3	35	20
FRAS63-20	50	63	3.5	40	20
FRAS75-20	60	75	3.8	40	20
FRAS90-20	72	90	4.6	45	20
FRAS110-12	87	110	5.5	55	12

* Nominal dimensions

HOSE PROTECTION



NightGlow Protective Wrapping

Sizes: 11

Internal Diameter Range: 10 mm - 87 mm

External Diameter Range: 12.5 mm - 110 mm

Helix Width Range: 10 mm - 55 mm

NightGlow protective wrapping photo luminescent and is made from HDPE.

Not only will your hoses be protected and bundled, the spiral lights up in darkness allowing you to identify specific hoses or hose lines up to 12 hours!

Ideal for mining, earth moving equipment, fencing, marine, etc.

Other advantages of the NightGlow Protective Wrapping:

- Can be used for a single hose or a bundle of hoses.
- Suitable for use with equipment operating across a wide temperature range from -50°C up to +120°C.
- Rounded edges for easy and safe mounting
- Suitable for use with all hydraulic fluids including glycol and phosphate ester based products.
- Free sample requests are for parts listed in chart only

Weldalloy Product Line

Product Code	Internal Diameter (mm)*	External Diameter (mm)*	Wall Thickness (mm)	Pitch	Meter/Box
N12SSG-50	10	12	1.5	10	50
N16SSG-20	11.5	16	1.5	12	20
N20SSG-20	14	20	1.8	14.50	20
N25SSG-20	20	25	2	21	20
N32SSG-20	25	32	2.4	24	20
N40SSG-20	32	40	2.4	30	20
N50SSG-20	38	50	3	35	20
N63SSG-20	50	63	3.5	40	20
N75SSG-20	60	75	3.8	40	20
N90SSG-20	72	90	4.6	45	20
N110SSG-12	87	110	5.5	55	12

* Nominal dimensions



Metal Protection Spirals

Sizes: 24

Internal Diameter Range: 14 mm - 68 mm

Width: 3 - 5.5

Metal spirals are used for heavy-duty applications when it's important to protect hoses working in severe external conditions such as mining and stone quarries.

- Free sample requests are for parts listed in chart only

Material: Steel

Plating: High quality galvanized

Weldalloy Product Line

Product Code	Internal Diameter (mm)	Length (M)	Width (mm)	Wire Size (mm)
HMP-14	14	10	3	2.30
HMP-15	15	10	3	2.30
HMP-17	17	10	3	2.30
HMP-19	19	10	4.5	2.80
HMP-20	20	10	4.5	2.80
HMP-22	22	10	4.5	2.80
HMP-23	23	10	4.5	2.80
HMP-25	25	10	4.5	2.80
HMP-26	26	10	4.5	2.80
HMP-27	27	10	4.5	2.80
HMP-29	29	10	4.5	2.80
HMP-30	30	10	4.5	2.80
HMP-33	33	10	4.5	2.80
HMP-34	34	10	4.5	2.80
HMP-35	35	10	5.5	2.80
HMP-39	39	10	5.5	2.80
HMP-41	41	10	5.5	2.80
HMP-42	42	10	5.5	2.80
HMP-45	45	10	5.5	2.80
HMP-46	46	10	5.5	2.80
HMP-48	48	10	5.5	2.80
HMP-51	51	10	5.5	2.80
HMP-55	55	10	5.5	2.80
HMP-68	68	10	5.5	2.80

SPIRAL PROTECTION



RAIL (NEW Proprietary Product)

Pig's Tail™ RAIL is a specialized new proprietary product line that is specifically designed to meet the requirements of the railroad industry. Pig's Tail™ RAIL is a highly modified polypropylene alloy compound meeting V-0 flame retardant requirements and certified according the norm EN 45545. The product fulfills the fire protection requirements R22 and R23 for the hazard level HL2. In addition to its high flame retardancy, it is halogen free and has extremely good balance of mechanical properties. Pig's Tail™ RAIL also meets the ISO 4589-2 and ISO 5659-2 standards.

- Free sample requests are for parts listed in chart only

Weldalloy Product Line

Product Code	Internal Diameter (mm)*	External Diameter (mm)*	Wall Thickness (mm)	Pitch	Meter/Box
RAIL12-50	10	12	1.5	10	50
RAIL16-50	11.5	16	1.5	12	50
RAIL20-50	14	20	1.8	14.50	50
RAIL25-50	20	25	2	21	50
RAIL32-50	25	32	2.4	24	50
RAIL40-50	32	40	2.4	30	50
RAIL50-20	38	50	3	35	20
RAIL63-20	50	63	3.5	40	20
RAIL75-20	60	75	3.8	40	20
RAIL90-20	72	90	4.6	45	20
RAIL110-12	87	110	5.5	55	12

* Nominal dimensions



SLEEVE PROTECTOR



Anti-Abrasion Sleeve (PES)

Sizes: 14

Internal Diameter Range: 20 mm - 150 mm

Made from high quality polyester yarn, the anti-abrasion sleeve is a multi-purpose sleeve that can be used:

- As abrasion protection for hydraulic hoses
- Against pin hole leakages
- For bundling hoses
- To protect people from a nearby bursting hose

Anti-abrasion sleeve technical specifications:

- MSHA certified
- MSTC - ISO8031 (electrical conductivity) - ISO8030 (fire resistance) certification
- Temperature Range:
 - Working temperature range of -40° C to 150° C
 - Melting point: 220° C
- Pressure test up to 400 Bar (5800PSI) and 700 Bar (10150PSI)
- Standard length 100 m
- Resistant to most solvents, oils, acids and alkalis
- Low dirt adhesion

Weldalloy Product Line

Anti-Abrasion Sleeve PES Code	Internal Diameter (mm)	Width (flat-mm)	Meter/Roll
HS-20	20	36	100
HS-22	22	39	100
HS-25	25	46	100
HS-28	28	50	100
HS-32	32	55	100
HS-35	35	60	100
HS-40	42	70	100
HS-45	45	76	100
HS-50	50	82	100
HS-70	70	116	100
HS-75	75	125	100
HS-90	90	147	100
HS-102	102	166	100
HS-150	150	242	100



Anti-Abrasion Sleeve (PA)

Sizes: 15

Internal Diameter Range: 18 mm - 150 mm

Made from high quality polyamide yarn, the anti-abrasion sleeve is a multi-purpose sleeve that can be used:

- As abrasion protection for hydraulic hoses
- Against pin hole leakages
- For bundling hoses
- To protect people from a nearby bursting hose
- Meets the requirements of EN ISO 3457

Anti-abrasion sleeve technical specifications:

- MSHA certified
- Low dirt adhesion
- Resistant to most solvents, oils, acids and alkalis
- Working temperature: -50°C up to +150°C
- Standard length 50 m
- Available in colours: black, red, blue, green, yellow and more
- MDG-41 certified (underground coal mines)
- Seat belt abrasion SAE J386 certified
- Flame retardant
- Self-extinguishes in less than 30 seconds

Weldalloy Product Line

Anti-Abrasion Sleeve PA Code	Internal Diameter (mm)	Width (flat-mm)	Meter/Roll
HSPA-18	18	32	50
HSPA-20	20	34	50
HSPA-23	23	39	50
HSPA-29	29	50	50
HSPA-31	31	52	50
HSPA-36	36	60	50
HSPA-40	40	66	50
HSPA-50	50	80	50
HSPA-53	53	86	50
HSPA-56	56	90	50
HSPA-68	68	110	50
HSPA-75	75	120	50
HSPA-93	93	143	50
HSPA-100	100	157	50
HSPA-150	150	235	50

SLEEVE PROTECTOR



Anti-Abrasion Side Sleeve

Sizes: 8

Internal Diameter Range: 25.4 mm - 203.20 mm

Our anti-abrasion side sleeve can be used for wrapping or bundling hoses and cables. The high quality hook and loop closure allows reuse of the anti-abrasion side sleeve many times. Costs will be reduced since the anti-abrasion side sleeve can be removed at any time - even without disconnecting hoses or cables - which makes it ideal for servicing.

Anti-abrasion side sleeve will not fray when cutting to the desired length.

Anti-abrasion side sleeve technical specifications:

- Polyamide and PU coating
- Low dirt adhesion
- Resistant to most solvents, oils, acids and alkalis
- Working temperature: -50°C up to 200°C
- Standard length 50 m
- Meets the requirements of EN/ISO 3457
- Free sample requests are for parts listed in chart only

Also available with eyelets instead of hook and loop.
Custom sizes available on request.

Weldalloy Product Line

Sidesleeve Code	Internal Diameter (in)	Internal Diameter (mm)	Width (flat-mm)	Meter/Box
HSV-25	1	25.40	101	50
HSV-50	2	50.30	199	50
HSV-76	3	75.10	280	50
HSV-100	4	101.90	358	50
HSV-127	5	126.75	438	50
HSV-152	6	152.80	518	50
HSV-177	7	177.70	597	50
HSV-200	8	203.20	678	50



Strip and Buckle

Sizes: 20

Length: 200 mm - 2000 mm

The strip and buckle can be used to bundle hoses and cables. The high quality hook and loop closure allows reuse of the strip many times. The strip comes in two versions - with or without mounting ring.

Alternatively you can use the buckle which is equipped with a fast release buckle. Both the Strip and Buckle are made from high quality polypropylene.

- Free sample requests are for parts listed in chart only

Weldalloy Product Line

Strip Code	Length (mm)	Width (mm)	Minimum Amount (psc)
ST-200	200	38	10
ST-300	300	38	10
ST-500	500	38	10
ST-750	750	38	10
ST-1500	1500	38	10
Strip with Eyelet Code	Length (mm)	Width (mm)	Minimum Amount (psc)
STR-200	200	38	10
STR-300	300	38	10
STR-500	500	38	10
STR-750	750	38	10
STR-1500	1500	38	10
Buckle Code	Length (mm)	Width (mm)	Minimum Amount (psc)
HBL-350	350	18	20
HBL-500	500	18	20
HBL-750	750	18	20
HBL-1500	1500	18	20
HBL-2000	2000	18	20
Buckle Code	Length (mm)	Width (mm)	Minimum Amount (psc)
HBLL-350	350	25	20
HBLL-500	500	25	20
HBLL-750	750	25	20
HBLL-1500	1500	25	20
HBLL-2000	2000	25	20

SLEEVE PROTECTOR



Fire Protection Sleeve

Sizes: 27

Internal Diameter Range: 8 mm - 127 mm

The fire protection sleeve is a high quality glass-fiber with a silicon rubber cover making it resistant to extreme temperatures and flame affliction.

Other advantages:

- Working temperature of 260°C
- Resistant to hydraulic fluids, most acids and chemicals, lubricating oils and fluids
- 15-20 minutes resistance against +1 000°C
- 15-30 seconds resistance against +1 600°C
- Free sample requests are for parts listed in chart only

Weldalloy Product Line

Product Code	Internal Diameter (Mm)*	Meters/Box
HFP-8	8	15
HFP-10	9.50	15
HFP-11	11.10	15
HFP-13	12.70	15
HFP-16	15.90	15
HFP-19	19	15
HFP-22	22	15
HFP-25	25.40	15
HFP-28	28.60	15
HFP-32	31.80	15
HFP-35	34.90	15
HFP-38	38.10	15
HFP-41	41.30	15
HFP-44	44.40	15
HFP-48	48	15
HFP-51	50.80	15
HFP-57	57.20	15
HFP-60	60	15
HFP-64	63.50	15
HFP-70	69.80	15
HFP-76	76.20	15
HFP-83	82.40	15
HFP-89	88.90	15
HFP-95	95.20	15
HFP-102	101.60	15
HFP-114	114.30	15
HFP-127	127	15



Accessories

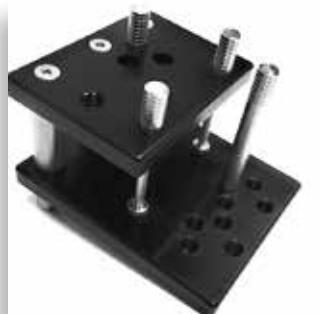
Ferrules

Our ferrules ensure a proper fixation of the textile sleeve on the hose. These ferrules are available in galvanized steel.

- Free sample requests are for parts listed in chart only.

Wrapman

- Designed to wrap Pig's Tail™ protection onto hydraulic hoses
- Increased wrapping speeds
- Easy operation
- Adjustable screw-in locator pins
- Two mounting lugs (to clamp in vice)
- Compact design
- Wraps hose assemblies from 3.175 mm to 31.75 mm



Weldalloy Product Line

Product Code	Internal Diameter (mm)	External Diameter (mm)	Length (mm)	Description
SFR1720	17	20	31	Steel ferrule 17-20
SFR1922	19	22	31	Steel ferrule 19-22
SFR2124	21	24	31	Steel ferrule 21-24
SFR2225	22	25	31	Steel ferrule 22-25
SFR2427	24	27	31	Steel ferrule 24-27
SFR2730	27	30	34	Steel ferrule 27-30
SFR2932	29	32	35	Steel ferrule 29-32
SFR3235	32	35	36	Steel ferrule 32-35
SFR3538	35	38	36	Steel ferrule 35-38
SFR3740	37	40	38	Steel ferrule 37-40
SFR3942	39	42	40	Steel ferrule 39-42
SFR4245	42	45	42	Steel ferrule 42-45
SFR4650	46	50	46	Steel ferrule 46-50
SFR4852	48	52	46	Steel ferrule 48-52
SFR5155	51	55	48	Steel ferrule 51-55
SFR5660	56	60	50	Steel ferrule 56-60
SFR6065	60	65	51	Steel ferrule 60-65
SFR6570	65	70	54	Steel ferrule 65-70

SPECIFICATIONS

Weldalloy Product Line

Fitting Specifications

Code	Hose OD Range	Nominal Dimensions					
		ID (mm)		Wall Thickness (mm)		Band Width (mm)	
R9SSG	7 mm - 13 mm	7	+/-0.5	1.5	+/-0.2	6.5	+/-2.0
R12SSG	10 mm - 17 mm	10	+/-0.5	1.5	+/-0.2	10	+/-2.0
R16SSG	12 mm - 22 mm	11.5	+/-0.5	1.5	+/-0.2	12	+/-2.0
R20SSG	16 mm - 27 mm	14	+/-0.5	1.8	+/-0.3	14.5	+/-2.0
R25SSG	22 mm - 35 mm	20	+/-0.5	2.0	+/-0.3	21	+/-3.0
R32SSG	27 mm - 43 mm	25	+/-0.5	2.4	+/-0.3	24	+/-3.0
R40SSG	33 mm - 55 mm	32	+/-1.0	2.4	+/-0.3	30	+/-3.0
R50SSG	42 mm - 64 mm	38	+/-1.0	3.0	+/-0.3	35	+/-3.0
R63SSG	52 mm - 75 mm	50	+/-1.0	3.5	+/-0.4	40	+/-4.0
R75SSG	65 mm - 96 mm	60	+/-1.0	3.8	+/-0.5	40	+/-4.0
R90SSG	80 mm - 110 mm	72	+/-1.0	4.6	+/-0.5	45	+/-4.0
R110SSG	97 mm - 125 mm	87	+/-1.0	5.5	+/-0.5	55	+/-4.0
R125SSG	114 mm - 139 mm	114	+/-1.0	5.5	+/-0.5	55	+/-4.0
R140SSG	121 mm - 152 mm	129	+/-1.0	5.5	+/-0.5	55	+/-4.0
R160SSG	146 mm - 177 mm +	149	+/-1.0	5.5	+/-0.5	60	+/-4.0

Formula for Spiral Length:

Hose OD ÷ Spiral ID x hose
Length = Spiral Length

Example: If you have a 10 m hose with an OD of 40 mm, using the HT-40, which has an ID of 32 mm, you would require 12,5 m of HG-40. 40 mm hose ÷ 32 mm (ID of R40SSG) x 10 m = 12,5 m of Pig's Tail™ wrapping



Weldalloy Product Line

Material Specifications

Physical Properties	Test Method	Unit	Value
Density	ASTM D 1505	g/cm ³	0.954
Melt Index 2.16kg 3.0kg Carbon Black Content	ASTM D 1238 ASTM D 1238 ASTM D 1603	g/ 10 min g/ 10 min %	0.10 0.56 2~2.50
Tensile Properties Tensile Strength at Yield (min) Tensile Strength at Break (min) Elongation at Break (min) Flexural Modulus Environmental Stress Crack Resistance Condition B. F50 (min) Hardness (min) Impact Strength (Izod. Method A. min)	ASTM D 638 (IV) ASTM D 790 ASTM D 1693 ASTM D 2240 ASTM D 256	kg/cm ² kg/cm ² % kg/cm ² hr shore "D" kg-cm/cm	230 300 500 8800 1000 63 30
Brittleness Temp. (min)	ASTM D 746	°C	-75
Vicat Softening Temp.	ASTM D 1525	°C	123
Oxidative Induction Time at 200 °C	ISO/ TR 10837	%	16
Modulus of Elasticity	ASTM D 790	Min	40
Thermal Conductivity	ASTM D 177	Watt/m°C	0.40
Coef. of Linear Thermal Expansion	ASTM D 696	1°C	0.00013
Specification Data Material Classification Cell Classification	ASTM D 1248 ASTM D 3350	- -	III C 5 P34 345434 (PE 3408)



Pig's Tail™ protective wrapping is manufactured to the highest standards. By only using "virgin grade" high density polyethylene, our products exhibit superior wear resistance and extremely good environmental stress crack resistance (ERS).

GLOBAL POWERHOUSE

global power

Why Caplugs®?

- > Trusted partner since 1948
- > Thousands of catalogue parts in stock and ready to ship
- > Broadest range of product styles and sizes
- > Most extensive in-house custom capabilities
- > Stringent quality management system
- > Team of dedicated engineers
- > Free samples of all catalogue parts
- > Proven supplier across more than 20 industries
- > Seamless online ordering
- > Dedicated technical sales support teams
- > Largest variety of products for supplier consolidation



Weldalloy
Hose Protection

LoVen
Vinyl Products

Your Global Plastic Moulding Partner

Serving as the leader in product protection, moulded components and masking for over 70 years, Caplugs® provides the broadest range of solutions, highest quality and most responsive service in the industry.

- > **450,000,000** parts in stock
- > **15,000,000** parts produced per day
- > **40,000+** catalogue products
- > Over **300** moulding machines
- > **10** manufacturing facilities
- > The **1** partner you need

More Moulding Options to Meet Your Needs

6 In-House Manufacturing Processes

Our range of expertise and moulding processes allows us to select the best option for your specific application and provide the most efficient and cost-effective solution.



1. Injection Moulding



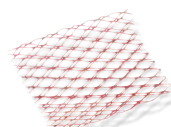
2. Rubber Moulding



3. Vinyl Dip Moulding



4. Die-Cutting



5. Extrusion



6. Vinyl Coating

Warehouse

In-House Control at Every Step



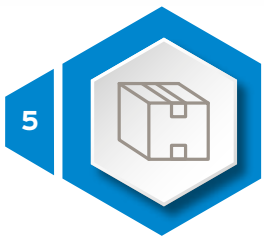
Design and Collaborate



Rapid Prototyping



Advanced In-House Tool Fabrication



Packaging



Inventory Management



PPAP Process



Your Custom Moulding Partner

The experienced team of Caplugs® design engineers specializes in custom engineered solutions and Design for Manufacturability processes. Caplugs® can meet your exacting requirements from concept and design to tooling and full volume production.

Key Benefits for You



Save Time



Save Labor



Improve Performance



Eliminate Part Failures



Increase Efficiency



Meet Exact Specifications

custom d

CUSTOM DIE-CUTTING CAPABILITIES

Extremely effective when masking a flat surface, custom die-cuts are quick and easy to apply and remove - and can even be fitted with pull-tabs to expedite the removal process. The solution is ideal for wet paint, powder coating, e-coating and plating operations. Custom die-cuts are also an economical way to eliminate tedious manual masking steps from any finishing line.

Four Unique Die-Cutting Processes

- › **Plotter** – Customizable and inexpensive. No tooling required. Quickest way to produce samples from multiple file formats. Ideal for small runs and making die-cut kits together.
- › **Steel Rule Die Press** – Known as “cookie-cutter dies.” Low-cost tooling option for short-run productions.
- › **Rotary Die-Cutter** – Tooling required to create a cylindrical solid engraved die for a rotary press. Ideal for high-volume runs.
- › **Magnetic Plate Die-Cutting** – Same as rotary, but using a thinner magnetic plate tool to wrap around a base magnetic cylinder. Economical tooling cost for high-volume runs.

Additional options include:

- Kits
- Perforated liner
- Slit back liner
- Carrier tape
- Pull-tabs



Die-cutting

Prototypes in 24 Hours

- > **Custom** die-cut designs from a simple sketch or drawing
- > Hold **tolerances** of ± 0.0508 mm (0.002") on a 609.6 mm (24") length
- > Masks supplied in rolls, sheets or **pre-assembled** kits
- > Capacity for full **in-house** custom converting
- > Custom die-cut **samples** provided upon drawing approval





CAPPLUGS® PRODUCTS

TAPERED CAPS AND PLUGS

For more information and to request free samples, contact us at (+31) 73 643 02 88.



T SERIES
Tapered body gives snug fit as cap/plug



TV SERIES
Flexible injection-moulded vinyl cap/plug



W SERIES
Wide-flanged cap/plug



WW SERIES
Wide, thick flange cap/plug



WWX SERIES
Extra-wide, thick flange cap/plug

CAPS non-threaded



AS138 SERIES
Electrical connector dust caps



C SERIES
Straight-sided utility caps



CBC SERIES
Coaxial cable connector caps



CC SERIES
Flange covers



CE SERIES
Plastic caps for threaded pipe ends



CEC SERIES
Conductive caps for threaded and non-threaded connectors



CLT SERIES
Standard duty long thread well casing



COF SERIES
Round caps for tubing and rods



CST SERIES
Standard duty short thread well casings



DCC SERIES
D-subminiature rectangular connectors



DCF SERIES
D-subminiature connectors with flared shells



DP SERIES
For ITT Cannon-style connectors



DS SERIES
Non-sloughing conductive caps



EC SERIES
Caps for threaded or smooth connectors



EMC SERIES
Caps for champ-type connectors



EPN-240 SERIES
Recessed pipe caps



EPN-250 SERIES
Bevel edge open-end protectors



EPN-310 SERIES
Outside fitting protectors



EZC SERIES
Non-threaded caps for NPT fittings



FAF SERIES
Full-face protectors



FAN SERIES
Flange covers with bolt holes



FAR SERIES
Raised-face protectors



FCO SERIES
Flat-faced O-ring caps



FCR SERIES
Heavy-wall caps for round tubing

products

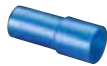
CAPS non-threaded (cont.)



FF SERIES
Square, hexagonal and triangular caps



FFP SERIES
Finger-lock flange covers



FI SERIES
Fits all standard injectors



FN SERIES
Finishing flanges-non-corroding



FPC SERIES
Fabricated pipe caps



FTC SERIES
Caps for flareless tube and nut assemblies



GC SERIES
Colour-coded grease fitting caps



HC SERIES
Hose caps for tube and hose ends



HEX SERIES
Hexagonal caps



HSF SERIES
Caps for split-flange hydraulic connections



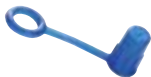
J SERIES
Tear-tab caps for NPT pipe threads



JS SERIES
Tear-tab caps for straight threads



MCC SERIES
Closed top, medical vented caps



MCN-TCP SERIES
Plastic tethered caps



MCN-TCS SERIES
Silicone tethered caps



MCN-TCV SERIES
Vinyl tethered caps



MDC SERIES
Caps for Micro-D connectors



MJ SERIES
Tear-tab caps for tapered metric threads



MJS SERIES
Tear-tab caps for straight metric threads



MOC SERIES
Mobile oxygen caps



MSC SERIES
Non-sloughing conductive caps



MVC SERIES
Medical vented caps



NUO SERIES
Standard duty non-upset end tubing protection



OE SERIES
Open-end thread protectors



OF SERIES
Caps for long-threaded connectors



PCAP SERIES
Propane valve protection caps used during transit and storage



PCAS SERIES
American Standard caps



PKGC SERIES
Packaging caps



PM SERIES
Push-on metric caps



PN SERIES
Push-on caps for NPT fittings



PO SERIES
Push-on caps for straight threads



PSC SERIES
Straight-sided paper caps



CAPPLUGS® PRODUCTS

CAPS non-threaded (cont.)

For more information and to request free samples, contact us at (+31) 73 643 02 88.



PTC SERIES
Tapered paper caps



PZC SERIES
Multi-purpose caps/plugs



RC SERIES
Caps for externally threaded parts



RCL SERIES
Extra long-bodied caps for externally threaded parts



RFP SERIES
Raised-face flange protectors



RH/RHW SERIES
Finishing and protection for raised-head screws



SC SERIES
Straight-sided sleeve caps



SCP SERIES
Shipping cap protectors



SC-SH SERIES
Silicone caps



SEC SERIES
Static dissipative caps for threaded connectors



SF SERIES
Caps for split-flange connections



SFC SERIES
Silicone flange caps



SRC-SH SERIES
Silicone grounding caps



SRC-MED SERIES
Medical silicone caps



SSR SERIES
Sucker-rod protectors



T SERIES
Tapered body gives snug fit as cap/plug



TS SERIES
Tapered silicone caps and plugs



UEO SERIES
Standard duty external upset end tubing protection



UVCP-SH SERIES
Silicone venting cap/plug



VP SERIES
Vented pipe caps



W SERIES
Wide-flanged cap/plug



WC-SH SERIES
Silicone washer caps



WW SERIES
Wide, thick flange cap/plug



WWX SERIES
Extra-wide, thick flange cap/plug



ZC-SH SERIES
Zerk caps

CAPS threaded



ASC SERIES
Aluminium caps for seal-flared fittings



BC SERIES
Cylinder valve threaded caps



CD SERIES
Plastic caps for tubing and flared fittings



CD-M Series
Threaded plastic caps for metric fittings



DC SERIES
Push-on threaded caps



FUF SERIES
Flareless union fitting caps to protect tube fittings



PSR SERIES
Polished sucker-rod protectors

products

PLUGS non-threaded



BN-SH SERIES
Black neoprene plugs



BP SERIES
Button plugs with recessed-type heads



BPF SERIES
Button plugs with flush-type heads



BPFE SERIES
Ergonomic button plugs with flush-type heads



CCF SERIES
Plugs for round tubing



CEP SERIES
Conductive plugs for threaded connectors



CPT SERIES
Center pull-tab tapered plugs



CPT-NF SERIES
Center pull-tab tapered plugs without flange



CT SERIES
Plugs for Type L and Type M tubing



CXT SERIES
Center cross pull-tab plug



DFPP-SH SERIES
Dual-flanged pull plugs



DO SERIES
Dome, ribbed tubing plugs



DOP SERIES
Dome plugs



DP SERIES
Conductive caps/plugs



E SERIES
Utility plugs



ECP SERIES
Ergonomic center pull-tab plugs



EP SERIES
Plugs for threaded connectors



EPN-305 SERIES
Push-in protectors



EZP SERIES
NPT plugs



FBH SERIES
Bolt hole plugs



FC SERIES
Snap-in flange protectors



FLGV SERIES
Valve flange protectors



FP SERIES
Finishing plugs for square tubing



FPN SERIES
Sucker-rod plugs



FP-SH SERIES
Rubber flangeless plugs



GN-SH SERIES
Green neoprene plugs



HFPP-SH SERIES
Hollow-flanged pull plugs



HUP-SH SERIES
Hollow silicone plugs



HUPH-SH SERIES
Hollow silicone plugs with handles



HWP-SH SERIES
Hollow washer plugs



IEC SERIES
Plugs for female connectors



K SERIES
Plugs for round tubing



CAPPLUGS® PRODUCTS

PLUGS non-threaded (cont.)

For more information and to request free samples, contact us at (+31) 73 643 02 88.



KO SERIES
Electrical knock-out seal plugs



L SERIES
Lift-tab tapered plugs



MPP SERIES
Multi-purpose snap-in plugs



MSC SERIES
ESD connector plugs



MSP-SH SERIES
Extra long silicone plugs



MT-SH SERIES
Mouse-tail pull plugs



OT SERIES
Plugs for Type K style tubing



PIP SERIES
Push-in plugs



PIP-TAB SERIES
Push-in plugs with pull-tab



PP-SH SERIES
EPDM pull plugs



PTP SERIES
Tapered paper plugs



PVC SERIES
Pipe plugs



PZP SERIES
Unified plugs



RCK-SH SERIES
Regular cork plugs



RER SERIES
Rectangular load-bearing plugs



RERV SERIES
Flexible rectangular load-bearing plugs



RJ SERIES
RJ45 ethernet jack protective plug



RMCP-SH SERIES
Rubber masking cap/plug



RSP-SH SERIES
Rubber resealable plugs



SCK-SH SERIES
Short cork plugs



SEP SERIES
Static dissipative plugs for threaded connectors



SFP SERIES
Covers for split-flange connections



SFP-SH SERIES
Silicone flanged cap/plug



SH SERIES
Finishing plugs for socket head screws



SP-SH SERIES
Silicone step plugs



SPP-SH SERIES
Silicone pull plugs



SPT SERIES
Side pull-tab plugs



SQR SERIES
Square load-bearing plugs



SQRV SERIES
Flexible square load-bearing plugs



STC SERIES
Snap-to-connect plugs



STP SERIES
Shallow tube plugs for packaging tubes



STPS-SH SERIES
Self-threading plugs

products

PLUGS non-threaded (cont.)



SWP SERIES
Silicone washer plugs



T SERIES
Tapered caps and plugs



TE SERIES
Tube end plugs



TE-HNG SERIES
Tube end hanger plugs



TE-TAB SERIES
Tube end plugs with tabs



TLF SERIES
Toggle lock flange covers



TSE SERIES
Tube square end plugs



UDPP-SH SERIES
Silicone dual purpose plugs



UFP-SH SERIES
Silicone flangeless plugs



UHCP-SH SERIES
Silicone hollow cone plugs



UMFP-SH SERIES
Silicone multi-flanged plugs



UPH-SH SERIES
Silicone plugs with handles



UPP SERIES
Universal pull plugs



UP-SH SERIES
Silicone plugs



USB-B SERIES
Plugs for Type B female ports



UTM-SH SERIES
Silicone thread masks



UW-SH SERIES
Silicone washer plugs



UWPP-SH SERIES
Silicone washer pull plugs



UWPPLS-SH SERIES
Silicone washer pull plugs - long series



W SERIES
Tapered caps and plugs with wide flanges



WPT SERIES
Extra-wide flange center pull tab



WW SERIES
Tapered caps and plugs with wide, thick flanges



WWX SERIES
Tapered caps and plugs with extra-wide, extra-thick flanges

PLUGS threaded



ADP SERIES
Threaded aluminium plugs for flareless tube and hose assemblies



AFO SERIES
Threaded aluminium plugs for flat-faced O-ring hydraulic fittings



ASP SERIES
Threaded aluminium plugs for 37° flared fittings and straight-threaded ports



BSP SERIES
Threaded plugs for British Standard Pipe fittings



BT SERIES
Sealing plugs for British Standard Pipe fittings



DPN SERIES
Threaded (UN and UNS) plugs



MSP SERIES
Slotted-head plastic plugs for metric-threaded ports



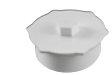
MT SERIES
Metric sealing plugs



CAPPLUGS® PRODUCTS

PLUGS threaded (cont.)

For more information and to request free samples, contact us at (+31) 73 643 02 88.



NPT SERIES
Threaded plug for NPT fitting



P SERIES
Plastic threaded plugs for pipe fittings



PD SERIES
Threaded plastic plugs for flared JIC fittings



PDE SERIES
Threaded plastic plugs for flareless tube and nut assemblies



PDF SERIES
Threaded plastic plugs for flat-faced O-ring hydraulic fittings



PDH SERIES
Threaded plastic plugs for flat-faced O-ring hydraulic fittings



PDI SERIES
Threaded plastic plugs for inverted flared fittings



PDO SERIES
Threaded plastic plugs for SAE O-ring ports



RP SERIES
Threaded plugs



RPO SERIES
Threaded plugs



RPO-M SERIES
Threaded plugs



TB SERIES
British Standard Pipe general-purpose plugs



TH SERIES
Hex socket threaded plugs



TM SERIES
Metric general-purpose plugs



TPN SERIES
Square-head plugs



TPN-F SERIES
Square-head with flange plugs



TPSD SERIES
Threaded plugs with square drive

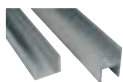


UT SERIES
Unified sealing plugs



UTP SERIES
Universal thread plugs

PLUGS core plugs



CH SERIES
Roll suspension channels



CP SERIES
Core plugs



CPH SERIES
Heavy-duty core plugs



CPR SERIES
Suspension plugs



D SERIES
Double core plugs



PDP SERIES
Pad plugs



AP SERIES
Anchor plugs

products

SHERCON® MASKING



22-SH SERIES
Amber polyimide
masking tape



AD-SH SERIES
Tan vinyl
masking discs



AF-SH SERIES
Silver aluminum foil
masking discs



AIR-SH SERIES
Aircraft window masks



AR-SH SERIES
Identification arrows



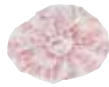
BN-SH SERIES
Black neoprene plugs



BWNP-SH SERIES
Blind weld nut plugs



BT100-SH SERIES
Rubber blasting tape



CSC SERIES
Clear stretchable covers



CSP-SH SERIES
Silicone countersink
hole plug



CSPP-SH SERIES
Countersink hole plugs
for e-coat or plating



DFPP-SH SERIES
Dual-flanged pull plugs



EP58-SH SERIES
Edge protectors



EV-SH SERIES
White vinyl masking discs



EZ-SH SERIES
Off-white crepe paper
masking discs



FP-SH SERIES
Rubber flangeless plugs



GC-SH SERIES
White glass cloth
masking discs



GN-SH SERIES
Green neoprene plugs



HCR SERIES
Flex500™ high-
temperature caps



HETV SERIES
High-temp vinyl
Flex500™ external
thread plugs



HEZ SERIES
Flex500™ flexible caps
with pull-tab



HFC SERIES
Flex500™ flexible caps
with flat pull-tab



HFPP-SH SERIES
Hollow-flanged pull plugs



HJS SERIES
Flex500™ flexible
tear-tab caps



HTP SERIES
High-temp vinyl Flex500™
tapered plugs



HUP-SH SERIES
Hollow silicone plugs



HUPH-SH SERIES
Hollow silicone
plugs with handles



HVC SERIES
Flex500™ flexible
round caps



HVTP SERIES
High-temperature vinyl
Flex500™ tapered plugs



HWP-SH SERIES
Hollow washer plugs



KD11-SH SERIES
Off-white crepe paper
masking tape



KD-SH SERIES
Off-white crepe paper
masking discs



CAPPLUGS® PRODUCTS

SHERCON® MASKING (cont.) For more information and to request free samples, contact us at (+31) 73 643 02 88.



KP-SH SERIES
Amber polyimide masking discs



LEPP-SH SERIES
Silicone Ultrabake leading exit pull plugs



LF-SH SERIES
Silver lead foil masking discs



MDT-SH SERIES
Multi-diameter tubing



MKITS HVC SERIES
High-temperature vinyl masking kit



MKITS VC SERIES
Standard vinyl masking kit



MPP-SH SERIES
Multi-purpose plugs



MSP-SH SERIES
Extra long silicone plugs



MT-SH SERIES
Mouse-tail pull plugs



NPTF-SH SERIES
Push-in plugs for NPT threaded fittings



PB-SH SERIES
Blue polyester masking discs



PC11-SH SERIES
Red polyester masking tape



PC198-SH SERIES
White glass cloth masking tape



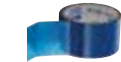
PC21-SH SERIES
Green polyester masking tape



PC25-SH SERIES
Green heavy-duty polyester masking tape



PC30-SH SERIES
Yellow polyester masking tape



PC90-SH SERIES
Blue polyester masking tape



PC-SH SERIES
Green polyester masking discs



PC-SH SERIES RECTANGLE
PC21 green polyester die-cut tape rectangles



PC-SH SERIES SQUARE
PC21 green polyester die-cut tape squares



PCD-SH SERIES
PC21 green polyester die-cut tape donuts



PP-SH SERIES
EPDM pull plugs



PR-SH SERIES
Red polyester masking discs



PSC SERIES
Straight paper caps



PTC SERIES
Tapered paper caps



PTM-SH SERIES
Silicone Ultrabake caps/plugs



PTP SERIES
Tapered paper plugs



RC-SH SERIES
EPDM rubber masking caps



RCK-SH SERIES
Regular cork plugs



RMCP-SH SERIES
Rubber masking cap/plug



RSP-SH SERIES
Rubber resealable plugs



RSPSF-SH SERIES
Sulfur free resealable push in-plugs

products

SHERCON® MASKING (cont.)



SC-SH SERIES
Silicone caps



SCK-SH SERIES
Short cork plugs



SFC SERIES
Silicone flange caps



SFP-SH SERIES
Silicone flanged cap/plugs



SHPP-SH SERIES
Silicone hollow pull plugs



SK-SH SERIES
Masking starter kits



SP-SH SERIES
Silicone step plugs



SPP-SH SERIES
Silicone pull plugs



SRC-MED SERIES
Medical silicone caps



SRC-SH SERIES
Silicone grounding caps



SRT-SH SERIES
Silicone tape



ST-SH SERIES
Silicone tubing



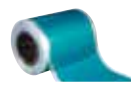
STPS-SH SERIES
Self-threading plugs



SWP SERIES
Silicone washer plugs



TF-SH SERIES
Gray Teflon
masking discs



TOL SERIES
Tape on liner



TS SERIES
Tapered silicone
caps and plugs



TSV SERIES
Silicone vented tapered
caps and plugs



UC-SH SERIES
Silicone cord



UDPP-SH SERIES
Silicone dual purpose plugs



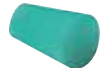
UFP-SH SERIES
Silicone flangeless plugs



UHCP-SH SERIES
Silicone hollow cone plugs



UMFP-SH SERIES
Silicone multi-flanged plugs



UP-SH SERIES
Silicone plugs



UPH-SH SERIES
Silicone plugs with handles



US-SH SERIES
Silicone sheeting



UST-SH SERIES
Silicone star tubing



UTM-SH SERIES
Silicone thread masks



UVCP-SH SERIES
Silicone venting cap/plug



UW-SH SERIES
Silicone washer plugs



UWM-SH SERIES
Silicone washer masks



UWPP-SH SERIES
Silicone washer pull plugs



CAPPLUGS® PRODUCTS

SHERCON® MASKING (cont.) For more information and to request free samples, contact us at (+31) 73 643 02 88.



UWPPLS-SH SERIES
Silicone washer pull plugs - long series



WBD-SH SERIES
Polyester Wishbone discs



WC-SH SERIES
Silicone washer caps



WNP-SH SERIES
Weld nut pull plugs



ZC-SH SERIES
Silicone Zerk caps

SHERCON® MASKING hook and racks



BCB-SH SERIES
Modular rack bottom cross bar



C-SH SERIES
Designed for powder and e-coating processes



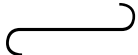
CB-SH SERIES
Modular rack rectangular cross bar



CV-SH SERIES
Designed for powder and e-coating processes



ROD-SH SERIES
Rod and clip set for modular rack



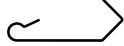
S-SH SERIES
Designed for powder and e-coating processes



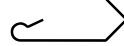
SB-SH SERIES
Smart Bar™



SHVA-SH SERIES
Designed for liquid and powder coating processes



SHVB-SH SERIES
Designed for liquid and powder coating processes



SHVC-SH SERIES
Designed for liquid and powder coating processes



SPLINE-SH SERIES
Modular rack part



SQV-SH SERIES
Designed for powder and e-coating processes



TCB-SH SERIES
Top cross bar for modular rack



TH-SH SERIES
"T" hook for modular rack



UWH-SH SERIES
Spin hooks



V-SH SERIES
Designed for powder and e-coating processes



VB-SH SERIES
Smart Hooks™ lock into position

products

PACKAGING AND NETTING



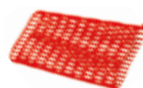
CBW SERIES
Cut Bottle-Web™
netting



CSV SERIES
Container square vial



CSW SERIES
Cut Sleeve-Web™
netting



CSWF SERIES
Sleeve-Web™ instrument
guards for medical tools



CSWF-C SERIES
Sleeve-Web™ instrument
guards for medical tools



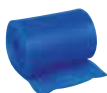
CVC SERIES
Hinged containers



CVV SERIES
Two-piece vials



PKGC SERIES
Packaging caps



PMW SERIES
Flat sheet netting



SCP SERIES
Shipping cap protectors



STP SERIES
Shallow tube plugs
for packaging tubes



SVV SERIES
Sterilization Caps



SW SERIES
Sleeve-Web™
netting



SWI SERIES
Sleeve-Web™ with
rust inhibitor



TE SERIES
Tube end plugs



TE-HNG SERIES
Tube end hanger plugs



TE-TAB SERIES
Tube end plugs with tabs



TRC SERIES
Closed-end tubing



TRO SERIES
Open-end tubing



TSC SERIES
Square closed-end tubing



TSE SERIES
Tube square-end plugs



TSO SERIES
Square open-end tubing



VHC SERIES
Vinyl hanger caps



VHR SERIES
Vinyl hanger tips (round)


















VSE SERIES
Vinyl square end-caps


















CAPPLUGS® PRODUCTS

MORE PROTECTION

For more information and to request free samples, contact us at (+31) 73 643 02 88.

 CAB SERIES Cable ties	 CEG SERIES Conductive edge liners	 CTW SERIES Cut tube wraps	 EGL SERIES Edge liners for sheet metal and pipe ends	 EP58-SH SERIES Edge protectors	 GRO SERIES Grommets for holes in sheet metal
 HB SERIES Hose bend restrictors	 OCB SERIES Open/closed bushings	 SB SERIES Snap bushings	 TIE SERIES Adjustable tie straps	 UB SERIES Universal bushings	 VGR SERIES Vinyl grips
 VHG SERIES Vinyl hanger grips	 VNG SERIES Vinyl nubbed grips	 VOR SERIES Vinyl O-rings			

PIPE AND FLANGE

 BUT SERIES Standard duty - well casing thread protection	 CAB SERIES Cable ties	 CC SERIES Flange covers	 CE SERIES Plastic pipe caps	 CLT SERIES Standard duty long thread well casings	 CST SERIES Standard duty short thread well casings
 DR SERIES Ding ring wrap-arounds	 DSP SERIES Donut seat pocket protector	 EPN-240 SERIES Closed-end recessed caps	 EPN-250 SERIES Open-end beveled-edge protectors	 EPN-305 SERIES Push-in protectors	 EPN-310 SERIES Outside fitting protectors
 FAF SERIES Full-face protectors	 FAN SERIES Flange covers with bolt holes	 FAR SERIES Raised-face protectors	 FBH SERIES Bolt hole plugs		

products

PIPE AND FLANGE (cont.)



FC SERIES
Snap-in flange protectors



FF SERIES
Caps for flanged and flange mounted fittings



FFP SERIES
Finger-lock flange covers



FHU SERIES
Hammer union protection



FLGV SERIES
Valve flange protectors



FN SERIES
Finishing flanges - non-corroding



FPC SERIES
Fabricated pipe caps



FPN SERIES
Sucker-rod plugs



HSF SERIES
High-pressure split-flange covers



HSR SERIES
Non-threaded hex cap sucker rod protectors



HU SERIES
Hammer union protection



NUO SERIES
Standard duty non-upset end tubing protection



OE SERIES
Open-end thread protectors



PCAS SERIES
American Standard caps (12-thread)



PSR SERIES
Polished sucker-rod protectors



PVCP SERIES
Pipe plugs



RFP SERIES
Raised-face flange protectors



SAE SERIES
Push-in hydraulic flange protector



SF SERIES
Caps for split-flange connections



SFP SERIES
Covers for split-flange connections



SSR SERIES
Sucker-rod protectors



SWLD SERIES
Push-in socket-weld fitting plugs



TLF SERIES
Toggle lock flange covers



UEO SERIES
Standard duty external upset end tubing protection



VAS SERIES
Vinyl ASA flange covers



VC SERIES
Hammer union protection



VF SERIES
Vinyl flange covers



VP SERIES
Vented pipe caps



VRPC SERIES
Vinyl roller pin covers for drill bits



VSR SERIES
Vinyl snap ring flange covers



WNC SERIES
Weld neck covers



CAPPLUGS® PRODUCTS

ELECTRONICS

For more information and to request free samples, contact us at (+31) 73 643 02 88.



AS138 SERIES
Electrical connector dust caps



C SERIES
Straight-sided utility caps



CBC SERIES
Coaxial cable connector caps



CEC SERIES
Conductive caps for threaded and non-threaded connectors



CEG SERIES
Conductive edge liners



CEP SERIES
Conductive plugs for threaded connectors



DCC SERIES
D-subminiature rectangular connectors



DCF SERIES
D-subminiature connectors with flared shells



DMC SERIES
Protective dust cap



DP SERIES
For ITT Cannon-style connectors



DS SERIES
ESD D-subminiature caps



E SERIES
Straight-sided utility plugs



EC SERIES
Caps for threaded connectors



EMC SERIES
Static dissipative and conductive protectors for electro miniature connectors



EP SERIES
Plugs for threaded connectors



IEC SERIES
Plugs for female connectors



K SERIES
Plugs for round tubing



MDC SERIES
Caps for Micro-D connectors



MSC SERIES
ESD connector caps



MSC SERIES
ESD connector plugs



PPC SERIES
Power cord protection



RJ SERIES
RJ45 ethernet jack protective plugs



SEC SERIES
Static dissipative caps for threaded connectors



SEP SERIES
Static dissipative plugs for threaded connectors



USB-A SERIES
Caps for USB Type A cable ends



USB-B SERIES
Plugs for Type B female ports

products

COMPRESSED GAS



BC SERIES
Cylinder valve
threaded caps



MOC SERIES
Mobile oxygen caps



PCAP SERIES
Propane caps



PVW SERIES
Post-valve wrench for
medical gas cylinders



SVS SERIES
Oxygen cylinder
post-valve sleeves



TES SERIES
Tamper-evident seals



UES SERIES
Univeral use-evident
cap/plug straps

markets

MARKETS SERVED



General Manufacturing | Automotive | Medical Masking | Energy/Oil & Gas | Hydraulics | Labware | Elec



s served



Electronics | Packaging | Finishing | Aviation/Aerospace | Rail HVAC | Metal Fabrication | Consumer Goods



Leaders in plastic moulding

As leaders in plastic moulding and extrusion for more than 70 years, we are trusted suppliers to a wide variety of industries. This experience provides our customers the technical expertise and support to find the right solution quickly and easily. We are built to serve all markets offering flexibility, scalability and an ISO-certified quality management process for consistent quality you can rely on.

Global Powerhouse

Caplugs® is the leader in custom moulded components, masking solutions and product protection. We provide the personalized service, range of capabilities, manufacturing expertise and scalable infrastructure to be your trusted partner.

30+

in-field
product
specialists

10

global
manufacturing
facilities



Caplugs® Europe | www.caplugs.eu | info.eu@caplugs.com

For vinyl product inquiries, orders or free samples | +31 73 643 02 88

Chemin preuscamp 18

7822 Meslin l'evêque, Belgium

Nieuwe Waterweg 10

5347 JS Oss, Netherlands

© Protective Industries, Inc. 2021. The information contained herein is proprietary to Caplugs® and may not be used or disseminated inappropriately. All trademarks, except where noted, are property of Protective Industries, Inc.



Catalogue

POLYKAP

CAPLUGS EU

SAFEPLAST

KIBA

EUROPE

The Leader in Plastic
Protection Since 1948

POLYKAP®

KAP 677 DESIGN



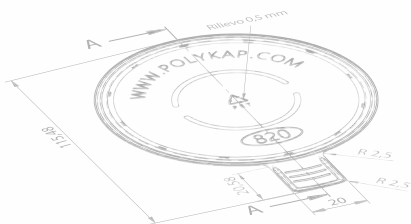
LEGGERO / *LIGHT*

ERGONOMICO / *ERGONOMIC*

PERSONALIZZATO / *CUSTOMIZED*

ECOSOSTENIBILE / *ECO FRIENDLY*

KAP 677 DESIGN



Il KAP 677 nasce dall'evoluzione dei tradizionali tappi con linguetta prodotti da oltre 25 anni in Polietilene. È con un occhio al passato che ci proiettiamo nel futuro, con la stessa solidità che caratterizza da sempre i nostri prodotti, ma con una tecnologia innovativa volta alle esigenze del nostro primo collaboratore, il Cliente. È da una sua necessità che nasce l'idea e con l'esperienza e la passione prende forma, così con il passare del tempo cambiano dimensioni e materiali arrivando ad un particolare che vanta più di 90 misure, tecnicamente migliorato dal punto di vista di spessore e materia prima interamente riciclata, arrivando ad un prodotto autosostenibile.

KAP 677 is the result of the evolution of traditional plugs with ribs and tabs manufactured in Polyethylene for over 25 years. We are looking to the future with an eye on the past, with the same robustness that has always characterized our products, but with an innovative technology tailored to the needs of our first collaborators, our Customers. Taking into account their needs, we have developed the idea of a new product, which has taken shape with our experience and passion. Over time, shapes and materials have changed: now the component has more than 90 sizes and has been technically improved in terms of thickness and raw material, which is entirely recycled, thus making it an environmentally sustainable product.





LEGGERO / LIGHT

Protezioni che vantano la riduzione di peso di oltre il 50% rispetto alle tradizionali in polietilene, il vantaggio? Risparmio in termini di costi di trasporto e di materia prima del tutto a favore dell'ambiente.

The weight of these protections has been reduced by over 50% compared to traditional ones in polyethylene. What is the advantage? Savings in terms of transport and raw material costs in favour of the environment.

ERGONOMICO / ERGONOMIC

Protezioni che oltre ad essere di facile utilizzo, alleggeriscono la fatica nelle operazioni di montaggio e sfilamento, essendo i particolari termoformati molto più leggeri e maneggevoli rispetto ai tradizionali.

Such protections are not only easy to use, but they also alleviate the fatigue in fitting and removal operations, since the thermoformed parts are much lighter and easier to handle than traditional ones.

PERSONALIZZATO / CUSTOMIZED

Nati dall'esigenza dei nostri clienti di dar forma ad un'idea personalizzata fino ad arrivare ad un progetto concreto. Mai come ora, la customizzazione si è rivelata così utile soprattutto nelle nuove applicazioni sui componenti per vetture ibride dove la leggerezza è la chiave per una miglior prestazione.

Born from the need of our customers to give shape to a customized idea and to develop it into a concrete project. Now more than ever, customization has proven useful, especially in new applications to components for hybrid cars, where lightness is the key to better performance.

ECOSOSTENIBILE / ECO FRIENDLY

La nostra produzione combina insieme alla riduzione di oltre il 50% della materia prima, il recupero degli scarti di produzione che possono essere interamente riciclati garantendo al nostro cliente un prodotto semplicemente autosostenibile.

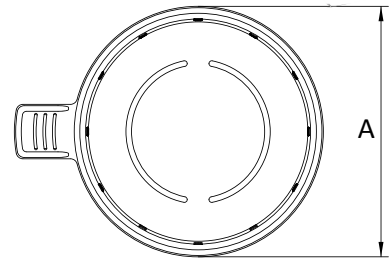
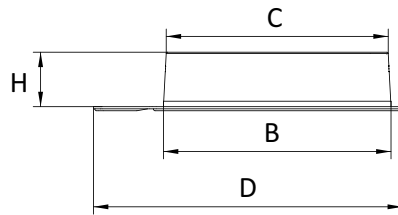
Our production combines a reduction by more than 50% of raw material with a recovery of production waste which can be totally recycled, thus offering our customers an environmentally sustainable product.

KAP 677

TAPPO ROTONDO CON LINGUETTA
ROUND PLUG WITH TAB

Materiale / Material: PET
Colore / Colour: Giallo / Yellow
Dimensioni / Dimensions: mm

KAP 677
DESIGN



RIFERIMENTO REFERENCE	A	B	C	D	H	g.
90770677P0505	58,00	53,30	50,57	79,48	20,00	1,70
90770677P0525	60,00	54,90	52,56	81,48	20,00	2,00
90770677P0545	69,00	56,20	54,54	90,48	20,00	2,80
90770677P0570	70,00	59,00	57,05	91,48	20,00	2,00
90770677P0585	71,00	60,80	58,55	92,48	20,00	2,50
90770677P0613	72,00	63,50	61,35	93,48	20,00	2,90
90770677P0635	74,00	65,70	63,55	95,48	20,00	2,80
90770677P0660	76,00	67,50	66,04	97,48	20,00	3,10
90770677P0679	82,00	69,50	67,94	103,48	20,00	3,30
90770677P0698	78,00	71,70	69,85	99,48	20,00	3,40
90770677P0715	84,00	73,25	71,54	105,48	20,00	3,50
90770677P0728	80,00	74,00	72,83	101,48	20,00	3,50
90770677P0740	85,50	76,60	74,06	106,98	20,00	4,00
90770677P0765	87,00	79,02	76,56	108,48	20,00	4,10
90770677P0790	90,00	82,00	79,07	111,48	20,00	3,90
90770677P0815	92,00	83,60	81,55	113,51	20,00	4,10
90770677P0820	94,00	86,00	82,10	115,48	20,00	4,60
90770677P0865	98,00	89,03	86,56	119,48	20,00	4,80
90770677P0890	100,00	91,50	89,18	121,48	20,00	5,20
90770677P0915	102,00	94,00	91,56	123,48	20,00	4,70
90770677P0965	107,00	99,00	96,56	128,48	20,00	5,50
90770677P0990	110,00	102,50	99,08	131,48	20,00	5,40
90770677P1275	137,60	130,60	127,57	159,08	20,00	9,10
90770677P1290	140,00	133,00	129,09	161,48	20,00	9,20

KAP 677
DESIGN

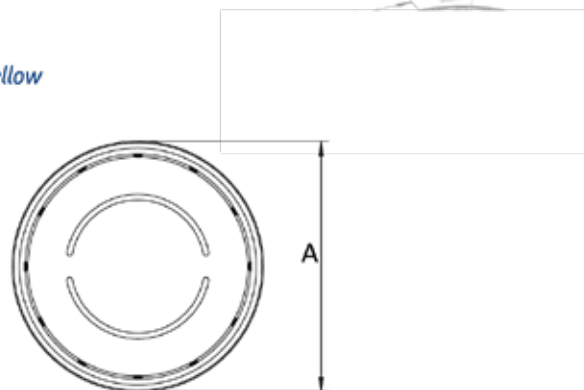
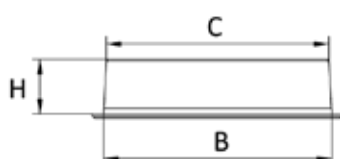


KAP 675

TAPPO DI PROTEZIONE ROTONDO
ROUND CAP

Materiale / Material: PET
Colore / Colour: Giallo / Yellow
Dimensioni / Dimensions: mm

KAP 677
DESIGN



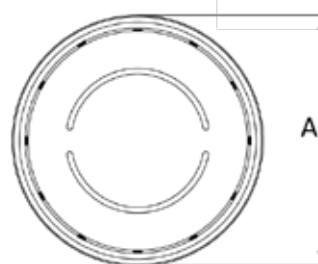
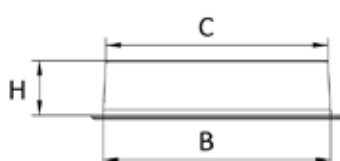
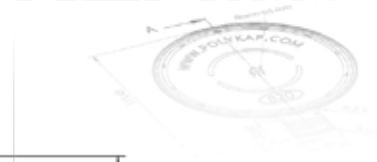
RIFERIMENTO REFERENCE	A	B	C	H	g.
90770675P0505	58,00	53,30	50,57	20,00	1,50
90770675P0525	60,00	54,90	52,56	20,00	1,80
90770675P0545	69,00	56,20	54,54	20,00	2,60
90770675P0570	70,00	59,00	57,05	20,00	1,80
90770675P0585	71,00	60,80	58,55	20,00	2,30
90770675P0613	72,00	63,50	61,35	20,00	2,70
90770675P0635	74,00	65,70	63,55	20,00	2,60
90770675P0660	76,00	67,50	66,04	20,00	2,90
90770675P0679	82,00	69,50	67,94	20,00	3,10
90770675P0698	78,00	71,70	69,85	20,00	3,20
90770675P0715	84,00	73,25	71,54	20,00	3,30
90770675P0728	80,00	74,00	72,83	20,00	3,30
90770675P0740	85,50	76,60	74,06	20,00	3,80
90770675P0765	87,00	79,02	76,56	20,00	3,90
90770675P0790	90,00	82,00	79,07	20,00	3,70
90770675P0815	92,00	83,60	81,55	20,00	3,90
90770675P0820	94,00	86,00	82,10	20,00	4,40
90770675P0865	98,00	89,03	86,56	20,00	4,60
90770675P0890	100,00	91,50	89,18	20,00	5,00
90770675P0915	102,00	94,00	91,56	20,00	4,50
90770675P0965	107,00	99,00	96,56	20,00	5,30
90770675P0990	110,00	102,50	99,08	20,00	5,20
90770675P1275	137,60	130,60	127,57	20,00	8,90
90770675P1290	140,00	133,00	129,09	20,00	9,00

KAP 676

TAPPO DI PROTEZIONE ROTONDO
ROUND CAP

Materiale / Material: PS
Colore / Colour: Bianco / White
Dimensioni / Dimensions: mm

KAP 677
DESIGN



RIFERIMENTO REFERENCE	A	B	C	H	g.
90770676P0505	58,00	53,30	50,57	20,00	1,90
90770676P0525	60,00	54,90	52,56	20,00	2,30
90770676P0545	69,00	56,20	54,54	20,00	2,30
90770676P0570	70,00	59,00	57,05	20,00	1,90
90770676P0585	71,00	60,80	58,55	20,00	2,10
90770676P0613	72,00	63,50	61,35	20,00	2,60
90770676P0635	74,00	65,70	63,55	20,00	2,80
90770676P0660	76,00	67,50	66,04	20,00	3,60
90770676P0679	82,00	69,50	67,94	20,00	3,60
90770676P0698	78,00	71,70	69,85	20,00	3,40
90770676P0715	84,00	73,25	71,54	20,00	3,20
90770676P0728	80,00	74,00	72,83	20,00	3,20
90770676P0740	85,50	76,60	74,06	20,00	4,10
90770676P0765	87,00	79,02	76,56	20,00	4,10
90770676P0790	90,00	82,00	79,07	20,00	3,50
90770676P0815	92,00	83,60	81,55	20,00	4,30
90770676P0820	94,00	86,00	82,10	20,00	3,80
90770676P0865	98,00	89,03	86,56	20,00	4,00
90770676P0890	100,00	91,50	89,18	20,00	5,00
90770676P0915	102,00	94,00	91,56	20,00	3,90
90770676P0965	107,00	99,00	96,56	20,00	5,20
90770676P0990	110,00	102,50	99,08	20,00	6,00
90770676P1275	137,60	130,60	127,57	20,00	10,00
90770676P1290	140,00	133,00	129,09	20,00	10,00

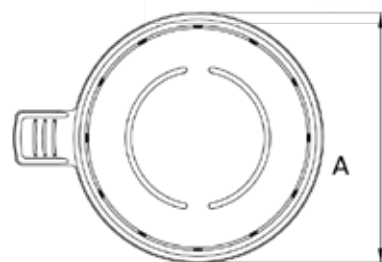
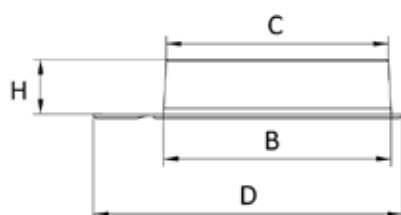


KAP 678

TAPPO ROTONDO CON LINGUETTA
ROUND PLUG WITH TAB

Materiale / Material: PS
Colore / Colour: Bianco / White
Dimensioni / Dimensions: mm

KAP 677
DESIGN



RIFERIMENTO REFERENCE	A	B	C	D	H	g.
90770678P0505	58,00	53,30	50,57	79,48	20,00	2,10
90770678P0525	60,00	54,90	52,56	81,48	20,00	2,60
90770678P0545	69,00	56,20	54,54	90,48	20,00	2,60
90770678P0570	70,00	59,00	57,05	91,48	20,00	2,10
90770678P0585	71,00	60,80	58,55	92,48	20,00	2,40
90770678P0613	72,00	63,50	61,35	93,48	20,00	2,80
90770678P0635	74,00	65,70	63,55	95,48	20,00	3,00
90770678P0660	76,00	67,50	66,04	97,48	20,00	3,80
90770678P0679	82,00	69,50	67,94	103,48	20,00	3,80
90770678P0698	78,00	71,70	69,85	99,48	20,00	3,60
90770678P0715	84,00	73,25	71,54	105,48	20,00	3,40
90770678P0728	80,00	74,00	72,83	101,48	20,00	3,40
90770678P0740	85,50	76,60	74,06	106,98	20,00	4,30
90770678P0765	87,00	79,02	76,56	108,48	20,00	4,30
90770678P0790	90,00	82,00	79,07	111,48	20,00	3,70
90770678P0815	92,00	83,60	81,55	113,51	20,00	4,50
90770678P0820	94,00	86,00	82,10	115,48	20,00	4,00
90770678P0865	98,00	89,03	86,56	119,48	20,00	4,20
90770678P0890	100,00	91,50	89,18	121,48	20,00	5,20
90770678P0915	102,00	94,00	91,56	123,48	20,00	4,10
90770678P0965	107,00	99,00	96,56	128,48	20,00	5,40
90770678P0990	110,00	102,50	99,08	131,48	20,00	6,20
90770678P1275	137,60	130,60	127,57	159,08	20,00	10,20
90770678P1290	140,00	133,00	129,09	161,48	20,00	10,20



KAP **DESIGN**
POLYKAP

POLYKAP s.r.l. Via Dei Paceri, 77 47891 Falciano - Repubblica di San Marino
Tel. +39 0549 970203 - Fax +39 0549 910120
www.polykap.com - info@polykap.com

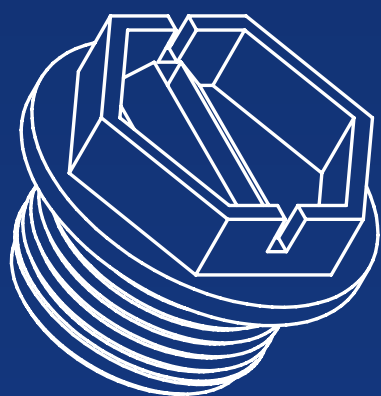


POLYKAP PATENT-DESIGN SM-P-201900171 / EU-102019000004035

Graphic Project: Stone Line - Exclusive Photographer: Max Salani - Printed by La Pieve Poligrafica Editore

TAPPI E CAPPUCCI
FILETTATI
*THREADED CAPS
AND PLUGS*

QUALITY AND DESIGN



POLUKAP[®]





I NOSTRI CLIENTI
SONO I NOSTRI INGEGNERI
ED IL NOSTRO SOGNO
É QUELLO DI DIVENTARE
I VOSTRI MIGLIORI FORNITORI

*OUR CUSTOMERS
ARE OUR ENGINEERS AND
OUR DREAM IS TO BECOME
YOUR TOP SUPPLIERS.*



TAPPI E CAPPUCCI FILETTATI Classici ma più che mai nuovi perchè costruiti alla nostra maniera, nel pieno rispetto delle istruzioni del Cliente e con il rigore che ci distingue. Un sistema affidabile per proteggere le filettature interne ed esterne, una perfetta pulizia delle superfici ed una sicura tenuta dei liquidi.

THREADED CAPS AND PLUGS Classics but always new, because built at our mode in the full respect of the Customer's instructions and with the rigour that characterizes us. A reliable system to protect the internal and external threads, for a perfect cleaning of the surfaces and a secure closure for liquids.



KAP 708 - GAS

TAPPO FILETTATO A TESTA ESAGONALE PER FILETTATURE GAS
THREADED PLUGS WITH HEXAGONAL HEAD FOR GAS THREADS

p. 6



KAP 708 - M

TAPPO FILETTATO A TESTA ESAGONALE PER FILETTATURE METRICHE
THREADED PLUGS WITH HEXAGONAL HEAD FOR METRIC THREADS

p. 8



KAP 708 - UNF

TAPPO FILETTATO A TESTA ESAGONALE PER FILETTATURE UNF
THREADED PLUGS WITH HEXAGONAL HEAD FOR UNF THREADS

p. 10



KAP 718 - GAS

TAPPO FILETTATO RINFORZATO A TESTA ESAGONALE PER FILETTATURE GAS
REINFORCED THREADED PLUGS, WITH HEXAGONAL HEAD FOR GAS THREADS

p. 12



KAP 718 - M

TAPPO FILETTATO RINFORZATO A TESTA ESAGONALE PER FILETTATURE METRICHE
REINFORCED THREADED PLUGS, WITH HEXAGONAL HEAD FOR METRIC THREADS

p. 14



KAP 718 - UNF

TAPPO FILETTATO RINFORZATO A TESTA ESAGONALE PER FILETTATURE UNF
REINFORCED THREADED PLUGS, WITH HEXAGONAL HEAD FOR UNF THREADS

p. 16



KAP 7000 - GAS

TAPPO FILETTATO A TESTA ESAGONALE CON GUARNIZIONE PER FILETTATURE GAS
THREADED PLUGS WITH HEXAGONAL HEAD AND GASKET FOR GAS THREADS

p. 19



KAP 7000 - M

TAPPO FILETTATO A TESTA ESAGONALE CON GUARNIZIONE PER FILETTATURE METRICHE
THREADED PLUGS WITH HEXAGONAL HEAD AND GASKET FOR METRIC THREADS

p. 20



KAP 7000 - UNF

TAPPO FILETTATO A TESTA ESAGONALE CON GUARNIZIONE PER FILETTATURE UNF
THREADED PLUGS WITH HEXAGONAL HEAD AND GASKET FOR UNF THREADS

p. 22



KAP 7001 - GAS

TAPPO FILETTATO A TESTA ESAGONALE PER FILETTATURE GAS
THREADED PLUGS WITH HEXAGONAL HEAD FOR GAS THREADS

p. 25



KAP 7001 - M

TAPPO FILETTATO A TESTA ESAGONALE PER FILETTATURE METRICHE
THREADED PLUGS WITH HEXAGONAL HEAD FOR METRIC THREADS

p. 26



KAP 7001 - UNF

TAPPO FILETTATO A TESTA ESAGONALE PER FILETTATURE UNF
THREADED PLUGS WITH HEXAGONAL HEAD FOR UNF THREADS

p. 28



KAP 7190 - GAS

TAPPO FILETTATO RINFORZATO A TESTA ESAGONALE CON GUARNIZIONE PER FILETTATURE GAS
REINFORCED THREADED PLUGS, WITH HEXAGONAL HEAD AND GASKET FOR GAS THREADS

p. 30



KAP 7190 - M

TAPPO FILETTATO RINFORZATO A TESTA ESAGONALE CON GUARNIZIONE PER FILETTATURE METRICHE
REINFORCED THREADED PLUGS, WITH HEXAGONAL HEAD AND GASKET FOR METRIC THREADS

p. 32


















KAP 7190 - UNF

TAPPO FILETTATO RINFORZATO A TESTA ESAGONALE CON GUARNIZIONE PER FILETTATURE UNF
REINFORCED THREADED PLUGS, WITH HEXAGONAL HEAD AND GASKET FOR UNF THREADS

p. 34



	KAP 7065 - GAS	TAPPO FILETTATO A TESTA ESAGONALE CON GUARNIZIONE ANTIOLIO PER FILETTATURE GAS <i>THREADED PLUGS WITH HEXAGONAL HEAD AND OILPROOF GASKET FOR GAS THREADS</i>	p. 36
	KAP 7065 - M	TAPPO FILETTATO A TESTA ESAGONALE CON GUARNIZIONE ANTIOLIO PER FILETTATURE METRICHE <i>THREADED PLUGS WITH HEXAGONAL HEAD AND OILPROOF GASKET FOR METRIC THREADS</i>	p. 37
	KAP 7065 - UNF	TAPPO FILETTATO A TESTA ESAGONALE CON GUARNIZIONE ANTIOLIO PER FILETTATURE UNF <i>THREADED PLUGS WITH HEXAGONAL HEAD AND OILPROOF GASKET FOR UNF THREADS</i>	p. 38
	KAP 7066 - GAS	TAPPO FILETTATO A TESTA ESAGONALE CON GUARNIZIONE PER FILETTATURE GAS <i>THREADED PLUGS WITH HEXAGONAL HEAD AND GASKET FOR GAS THREADS</i>	p. 41
	KAP 7066 - M	TAPPO FILETTATO A TESTA ESAGONALE CON GUARNIZIONE PER FILETTATURE METRICHE <i>THREADED PLUGS WITH HEXAGONAL HEAD AND GASKET FOR METRIC THREADS</i>	p. 42
	KAP 7066 - UNF	TAPPO FILETTATO A TESTA ESAGONALE CON GUARNIZIONE PER FILETTATURE UNF <i>THREADED PLUGS WITH HEXAGONAL HEAD AND GASKET FOR UNF THREADS</i>	p. 44
	KAP 808 - GAS	CAPPUCCIO FILETTATO CON NERVE POLIGONALI PER FILETTATURE GAS <i>THREADED CAPS WITH POLYGONAL RIBS FOR GAS THREADS</i>	p. 47
	KAP 808 - M	CAPPUCCIO FILETTATO CON NERVE POLIGONALI PER FILETTATURE METRICHE <i>THREADED CAPS WITH POLYGONAL RIBS FOR METRIC THREADS</i>	p. 48
	KAP 808 - UNF	CAPPUCCIO FILETTATO CON NERVE POLIGONALI PER FILETTATURE UNF <i>THREADED CAPS WITH POLYGONAL RIBS FOR UNF THREADS</i>	p. 50
	KAP 809 - GAS	CAPPUCCIO FILETTATO A TENUTA CON NERVE POLIGONALI E GUARNIZIONE PIANA PER FILETTATURE GAS <i>THREADED CAPS WITH POLYGONAL RIBS AND FLAT GASKET FOR GAS THREADS</i>	p. 53
	KAP 809 - M	CAPPUCCIO FILETTATO A TENUTA CON NERVE POLIGONALI E GUARNIZ. PIANA PER FILETTATURE METRICHE <i>THREADED CAPS WITH POLYGONAL RIBS AND FLAT GASKET FOR METRIC THREADS</i>	p. 54
	KAP 809 - UNF	CAPPUCCIO FILETTATO A TENUTA CON NERVE POLIGONALI E GUARNIZIONE PIANA PER FILETTATURE UNF <i>THREADED CAPS WITH POLYGONAL RIBS AND FLAT GASKET FOR UNF THREADS</i>	p. 56
	KAP 818 - GAS	CAPPUCCIO FILETTATO RINFORZATO CON NERVE POLIGONALI PER FILETTATURE GAS <i>REINFORCED THREADED CAPS, WITH POLYGONAL RIBS FOR GAS THREADS</i>	p. 58
	KAP 818 - M	CAPPUCCIO FILETTATO RINFORZATO CON NERVE POLIGONALI PER FILETTATURE METRICHE <i>REINFORCED THREADED CAPS, WITH POLYGONAL RIBS FOR METRIC THREADS</i>	p. 60
	KAP 818 - UNF	CAPPUCCIO FILETTATO RINFORZATO CON NERVE POLIGONALI PER FILETTATURE UNF <i>REINFORCED THREADED CAPS, WITH POLYGONAL RIBS FOR UNF THREADS</i>	p. 62
	KAP 819 - GAS	CAPPUCCIO FILETTATO RINFORZATO A TENUTA CON NERVE POLIGONALI E GUARNIZ. PIANA PER FILETTATURE GAS <i>REINFORCED THREADED CAPS, WITH POLYGONAL RIBS AND FLAT GASKET FOR GAS THREADS</i>	p. 64
	KAP 819 - M	CAPPUCCIO FILETTATO RINFORZATO A TENUTA CON NERVE POLIGONALI E GUARNIZ. PIANA PER FILETTATURE METRICHE <i>REINFORCED THREADED CAPS, WITH POLYGONAL RIBS AND FLAT GASKET FOR METRIC THREADS</i>	p. 66
	KAP 819 - UNF	CAPPUCCIO FILETTATO RINFORZATO A TENUTA CON NERVE POLIGONALI E GUARNIZ. PIANA PER FILETTATURE UNF <i>REINFORCED THREADED CAPS, WITH POLYGONAL RIBS AND FLAT GASKET FOR UNF THREADS</i>	p. 68

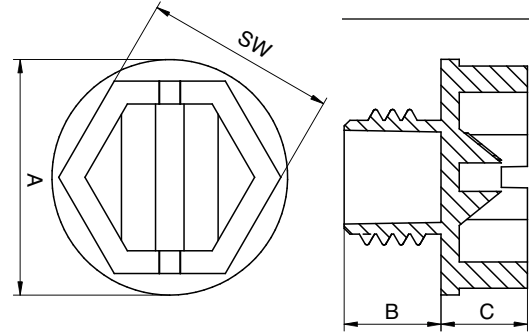


KAP 708-GAS

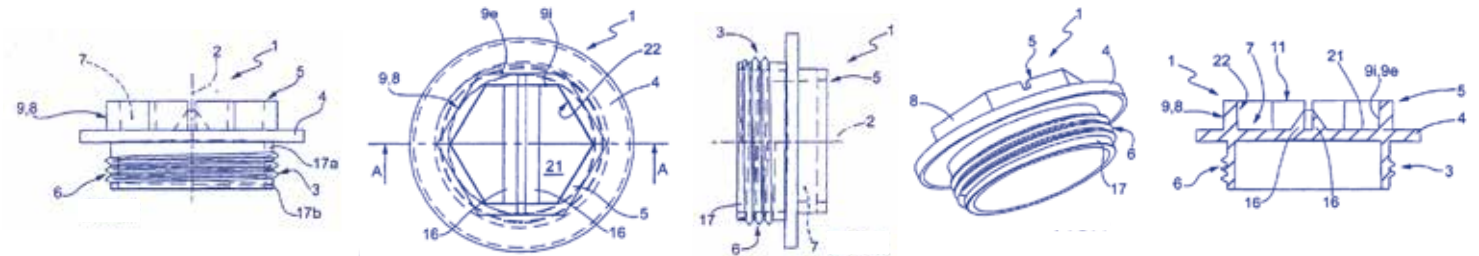
TAPPO FILETTATO A TESTA ESAGONALE
PER FILETTATURE GAS

THREADED PLUGS WITH HEXAGONAL HEAD
FOR GAS THREADS

Materiale / Material: PA 6
Colore / Colour: giallo / yellow
Dimensioni / Dimensions: mm



EP 2 479 006 A1 • EP 2 479 006 B1 • US PA 2012/0187121 A1



RIFERIMENTO REFERENCE	A	B	C	SW
KAP 708 R 1/8"	17	8,5	7,5	12
KAP 708 R 1/4" - A 20,8	20,8	8,5	7,5	17
KAP 708 R 1/4" - A 23	23	8,5	7,4	17
KAP 708 R 3/8" - A 20,6	20,6	8,5	7,6	17
KAP 708 R 3/8" - A 21,2	21,2	8,5	7,5	17
KAP 708 R 3/8" - A 24,8	24,8	8,5	7,5	17
KAP 708 R 3/8" - A 28,9	28,9	8,5	7,5	22
KAP 708 R 3/8" - A 32	32	8,5	7,6	22
KAP 708 R 1/2" - A 28,6	28,6	8,5	7,8	22
KAP 708 R 1/2" - A 29,2	29,2	8,5	8	22
KAP 708 R 1/2" - A 31,8	31,8	8,5	8	22
KAP 708 R 5/8"	28,8	8,5	8	22
KAP 708 R 3/4" - A 34,9	34,9	11,7	7,6	27
KAP 708 R 3/4" - A 35,4	35,4	11,7	10	27
KAP 708 R 1" - A 38,5	38,5	11,7	7,6	32
KAP 708 R 1" - A 44,5	44,5	11,7	7,6	32

KAP 708 R 1 1/4"	53,8	11,7	10	36
KAP 708 R 1 1/2"	60	15	10	36

SOLUZIONI ALTERNATIVE / ALTERNATIVE SOLUTIONS



KAP 718-GA SK



AP 7001-G AS



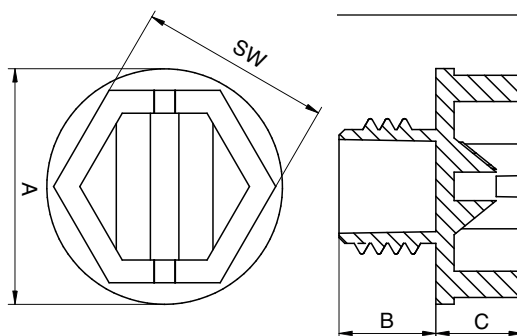


KAP 708-M

TAPPO FILETTATO A TESTA ESAGONALE
PER FILETTATURE METRICHE

THREADED PLUGS WITH HEXAGONAL HEAD
FOR METRIC THREADS

Materiale / Material: PA 6
Colore / Colour: giallo / yellow
Dimensioni / Dimensions: mm



RIFERIMENTO REFERENCE	A	B	C	SW
KAP 708 M 5x0,8	11	7	5	8
KAP 708 M 6x0,75	12	7	5	10
KAP 708 M 6x1	12	7	5	10
KAP 708 M 8x1	11	7	5	8
KAP 708 M 8x1,25	16,7	8,5	8	12
KAP 708 M 10x1 - A 16,5	16,5	8,5	8	13
KAP 708 M 10x1 - A 20,7	20,7	8,5	8	17
KAP 708 M 10x1,25	20,7	8,5	7,6	13
KAP 708 M 10x1,5	16,5	8,5	7,6	13
KAP 708 M 12x1	20,9	8,5	8	17
KAP 708 M 12x1,5	20,7	8,5	7,4	17
KAP 708 M 12x1,5 - L	20,7	11,5	7,4	17
KAP 708 M 12x1,75 - A 20,7	20,7	8,5	7,4	17
KAP 708 M 12x1,75 - A 21,2	21,2	8,5	8	17
KAP 708 M 14x1,5	20,9	8,5	8	17
KAP 708 M 14x1,5 - L	20,9	11,5	7,4	17
KAP 708 M 16x1,5 - A 20,8	20,8	8,5	8	17
KAP 708 M 16x1,5 - A 22,8	22,8	8,5	8	17
KAP 708 M 16x1,5 - A 32	32	8,5	8	17
KAP 708 M 16x2	22,8	8,5	8	17
KAP 708 M 18x1,5	28,7	8,5	8	22
KAP 708 M 18x1,5 - L	28,7	24	8	22

KAP 708 M 20x1,5	27,5	8,5	8	22
KAP 708 M 20x1,5 - L	27,5	13,5	7,6	22
KAP 708 M 20x2,5	27,1	8,5	8	22
KAP 708 M 22x1,5 - A 28,5	28,5	8,5	8	22
KAP 708 M 22x1,5 - A 32	32	11,5	8	22
KAP 708 M 24x1,5	32	11,5	8	22
KAP 708 M 25x1,5	34,9	15	8	27
KAP 708 M 26x1,5	35,4	11,7	10	27
KAP 708 M 27x2	35,4	11,7	10	27
KAP 708 M 30x2	38,6	11,7	9	27
KAP 708 M 33x2	39	11,7	10	27
KAP 708 M 42x2	53,8	11,7	10	36
KAP 708 M 48x2 - A 56,3	56,3	15	10	36
KAP 708 M 48x2 - A 60	60	15	10	36

SOLUZIONI ALTERNATIVE / ALTERNATIVE SOLUTIONS



KAP 718-MK



AP 7001-M

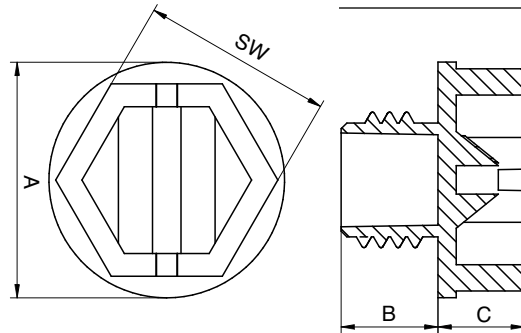


KAP 708-UNF

TAPPO FILETTATO A TESTA ESAGONALE
PER FILETTATURE UNF

THREADED PLUGS WITH HEXAGONAL HEAD
FOR UNF THREADS

Materiale / Material: PA 6
Colore / Colour: giallo / yellow
Dimensioni / Dimensions: mm



RIFERIMENTO REFERENCE	A	B	C	SW
KAP 708 7/16"-20 UNF - L	21	11,5	7,6	17
KAP 708 7/16"-20 UNF - A 21	21	8,5	8	17
KAP 708 7/16"-20 UNF - A 24,8	24,8	8,5	8	17
KAP 708 1/2"-20 UNF	20,8	8,5	8	17
KAP 708 9/16"-18 UNF	21	8,5	7,5	17
KAP 708 9/16"-18 UNF - L	21	11,5	7,5	17
KAP 708 5/8"-18 UNF	20,9	8,5	8	17
KAP 708 3/4"-16 UNF - A 28,7	28,7	10,6	7,6	22
KAP 708 3/4"-16 UNF - A 32	32	10,6	8	22
KAP 708 7/8"-14 UNF - A 28,7	28,7	12	7,6	22
KAP 708 7/8"-14 UNF - A 32	32	12	7,6	22
KAP 708 1-1/16"-12 UNF	35	8,5	7,6	27
KAP 708 1-1/16"-12 UNF - L	35	11,7	7,6	27
KAP 708 1-1/16"-12 UNF - A 38	38	17	8	27
KAP 708 1-3/16"-12 UNF	38,6	11,7	10	27
KAP 708 1-3/16"-12 UNF - L	38,6	20	11	27
KAP 708 1-5/16"-12 UNF - A 44,5	44,5	11,7	10	32
KAP 708 1-7/16"-12 UNF	53,8	11,7	10	36
KAP 708 1-5/8"-12 UNF	53,8	11,7	10	36
KAP 708 1-7/8"-12 UNF	60	15	10	36
KAP 708 1"-8 UNC	45,5	11,7	7,6	32

SOLUZIONI ALTERNATIVE / ALTERNATIVE SOLUTIONS



KAP 718-UNF



KAP 7001-UNF





KAP 718-GAS

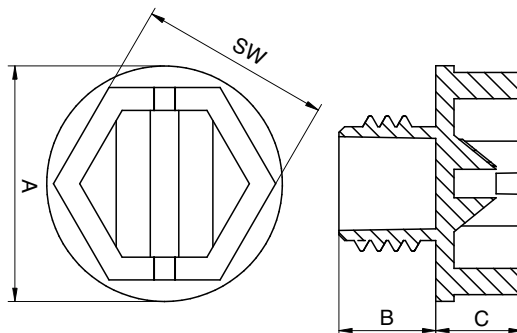
TAPPO FILETTATO RINFORZATO A TESTA ESAGONALE
PER FILETTATURE GAS

REINFORCED THREADED PLUGS, WITH HEXAGONAL HEAD
FOR GAS THREADS

Materiale / Material: PA 6.6 + FV 50%

Colore / Colour: nero / black

Dimensioni / Dimensions: mm



RIFERIMENTO REFERENCE	MATERIALE / COLORE MATERIAL / COLOUR	A	B	C	SW
KAP 718 R 1/8"	PA 6.6 + FV 50% NERO / BLACK	17	8,5	7,5	12
KAP 718 R 1/4" - A 20,8	PA 6.6 + FV 50% NERO / BLACK	20,8	8,5	7,5	17
KAP 718 R 1/4" - A 23	PA 6.6 + FV 50% NERO / BLACK	23	8,5	7,4	17
KAP 718 R 3/8" - A 20,6	PA 6.6 + FV 50% NERO / BLACK	20,6	8,5	7,6	17
KAP 718 R 3/8" - A 21,2	PA 6.6 + FV 50% NERO / BLACK	21,2	8,5	7,5	17
KAP 718 R 3/8" - A 24,8	PA 6.6 + FV 50% NERO / BLACK	24,8	8,5	7,5	17
KAP 718 R 3/8" - A 28,9	PA 6.6 + FV 50% NERO / BLACK	28,9	8,5	7,5	22
KAP 718 R 3/8" - A 32	PA 6.6 + FV 50% NERO / BLACK	32	8,5	7,6	22
KAP 718 R 1/2" - A 28,6	PA 6.6 + FV 50% NERO / BLACK	28,6	8,5	7,8	22
KAP 718 R 1/2" - A 29,2	PA 6.6 + FV 50% NERO / BLACK	29,2	8,5	8	22
KAP 718 R 1/2" - A 31,8	PA 6.6 + FV 50% NERO / BLACK	31,8	8,5	8	22
KAP 718 R 5/8"	PA 6.6 + FV 50% NERO / BLACK	28,8	8,5	8	22
KAP 718 R 3/4" - A 34,9	PA 6.6 + FV 50% NERO / BLACK	34,9	11,7	7,6	27
KAP 718 R 3/4" - A 35,4	PA 6.6 + FV 50% NERO / BLACK	35,4	11,7	10	27
KAP 718 R 1" - A 38,5	PA 6.6 + FV 50% NERO / BLACK	38,5	11,7	7,6	32
KAP 718 R 1" - A 44,5	PA 6.6 + FV 50% NERO / BLACK	44,5	11,7	7,6	32
KAP 718 R 1 1/4"	PA 6.6 + FV 50% NERO / BLACK	53,8	11,7	10	36
KAP 718 R 1 1/2"	PA 6.6 + FV 50% NERO / BLACK	60	15	10	36

SOLUZIONI ALTERNATIVE / ALTERNATIVE SOLUTIONS



KAP 708-GAS



KAP 7001-GAS





KAP 718-M

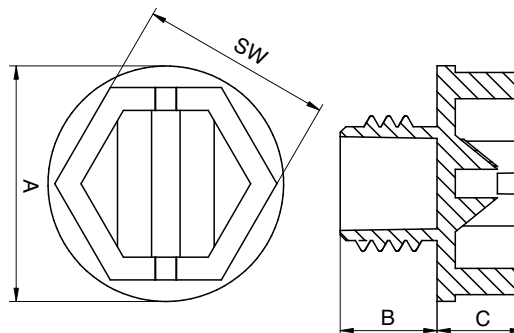
TAPPO FILETTATO RINFORZATO A TESTA ESAGONALE
PER FILETTATURE METRICHE

REINFORCED THREADED PLUGS, WITH HEXAGONAL HEAD
FOR METRIC THREADS

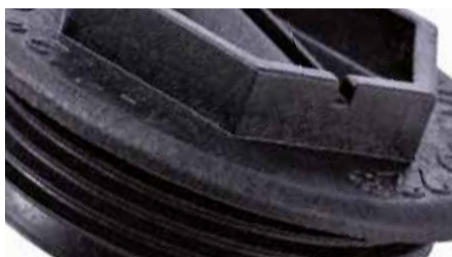
Materiale / Material: PA 6.6 + FV 50%

Colore / Colour: nero / black

Dimensioni / Dimensions: mm



RIFERIMENTO REFERENCE	MATERIALE / COLORE MATERIAL / COLOUR	A	B	C	SW
KAP 718 M 5x0,8	PA 6.6 + FV 50% NERO / BLACK	11	7	5	8
KAP 718 M 6x0,75	PA 6.6 + FV 50% NERO / BLACK	12	7	5	10
KAP 718 M 6x1	PA 6.6 + FV 50% NERO / BLACK	12	7	5	10
KAP 718 M 8x1	PA 6.6 + FV 50% NERO / BLACK	11	7	5	8
KAP 718 M 8x1,25	PA 6.6 + FV 50% NERO / BLACK	16,7	8,5	8	12
KAP 718 M 10x1 - A 16,5	PA 6.6 + FV 50% NERO / BLACK	16,5	8,5	8	13
KAP 718 M 10x1 - A 20,7	PA 6.6 + FV 50% NERO / BLACK	20,7	8,5	8	17
KAP 718 M 10x1,25	PA 6.6 + FV 50% NERO / BLACK	20,7	8,5	7,6	13
KAP 718 M 10x1,5	PA 6.6 + FV 50% NERO / BLACK	16,5	8,5	7,6	13
KAP 718 M 12x1	PA 6.6 + FV 50% NERO / BLACK	20,9	8,5	8	17
KAP 718 M 12x1,5	PA 6.6 + FV 50% NERO / BLACK	20,7	8,5	7,4	17
KAP 718 M 12x1,5 - L	PA 6.6 + FV 50% NERO / BLACK	20,7	11,5	7,4	17
KAP 718 M 12x1,75 - A 20,7	PA 6.6 + FV 50% NERO / BLACK	20,7	8,5	7,4	17
KAP 718 M 12x1,75 - A 21,2	PA 6.6 + FV 50% NERO / BLACK	21,2	8,5	8	17
KAP 718 M 14x1,5	PA 6.6 + FV 50% NERO / BLACK	20,9	8,5	8	17
KAP 718 M 14x1,5 - L	PA 6.6 + FV 50% NERO / BLACK	20,9	11,5	7,4	17



RIFERIMENTO REFERENCE	MATERIALE / COLORE MATERIAL / COLOUR	AB		CS	W
KAP 718 M 16x1,5 - A 20,8	PA 6.6 + FV 50% NERO / BLACK	20,8	8,5	8	17
KAP 718 M 16x1,5 - A 22,8	PA 6.6 + FV 50% NERO / BLACK	22,8	8,5	8	17
KAP 718 M 16x1,5 - A 32	PA 6.6 + FV 50% NERO / BLACK	32	8,5	8	17
KAP 718 M 16x2	PA 6.6 + FV 50% NERO / BLACK	22,8	8,5	8	17
KAP 718 M 18x1,5	PA 6.6 + FV 50% NERO / BLACK	28,7	8,5	8	22
KAP 718 M 18x1,5-L	PA 6.6 + FV 50% NERO / BLACK	28,7	24	8	22
KAP 718 M 20x1,5	PA 6.6 + FV 50% NERO / BLACK	27,5	8,5	8	22
KAP 718 M 20x1,5 - L	PA 6.6 + FV 50% NERO / BLACK	27,5	13,5	7,6	22
KAP 718 M 20x2,5	PA 6.6 + FV 50% NERO / BLACK	27,1	8,5	8	22
KAP 718 M 22x1,5 - A 28,5	PA 6.6 + FV 50% NERO / BLACK	28,5	8,5	8	22
KAP 718 M 22x1,5 - A 32	PA 6.6 + FV 50% NERO / BLACK	32	11,5	8	22
KAP 718 M 24x1,5	PA 6.6 + FV 50% NERO / BLACK	32	11,5	8	22
KAP 718 M 25x1,5	PA 6.6 + FV 50% NERO / BLACK	34,9	15	8	27
KAP 718 M 26x1,5	PA 6.6 + FV 50% NERO / BLACK	35,4	11,7	10	27
KAP 718 M 27x2	PA 6.6 + FV 50% NERO / BLACK	35,4	11,7	10	27
KAP 718 M 30x2	PA 6.6 + FV 50% NERO / BLACK	38,6	11,7	9	27
KAP 718 M 33x2	PA 6.6 + FV 50% NERO / BLACK	39	11,7	10	27
KAP 718 M 42x2	PA 6.6 + FV 50% NERO / BLACK	53,8	11,7	10	36
KAP 718 M 48x2 - A 56,3	PA 6.6 + FV 50% NERO / BLACK	56,3	15	10	36
KAP 718 M 48x2 - A 60	PA 6.6 + FV 50% NERO / BLACK	60	15	10	36

SOLUZIONI ALTERNATIVE / ALTERNATIVE SOLUTIONS



KAP 708-MK



AP 7001-M



KAP 718-UNF

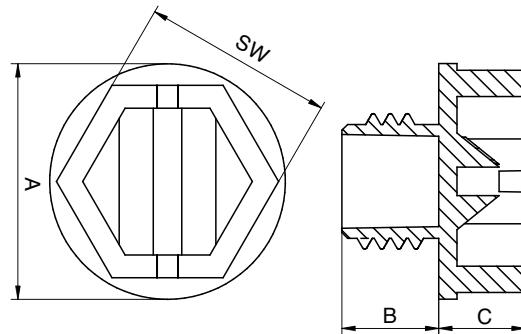
TAPPO FILETTATO RINFORZATO A TESTA ESAGONALE
PER FILETTATURE UNF

REINFORCED THREADED PLUGS, WITH HEXAGONAL HEAD
FOR UNF THREADS

Materiale / Material: PA 6.6 + FV 50%

Colore / Colour: nero / black

Dimensioni / Dimensions: mm



RIFERIMENTO REFERENCE	MATERIALE / COLORE MATERIAL / COLOUR	A	B	C	SW
KAP 718 7/16"-20 UNF - L	PA 6.6 + FV 50% NERO / BLACK	21	11,5	7,6	17
KAP 718 7/16"-20 UNF - A 21	PA 6.6 + FV 50% NERO / BLACK	21	8,5	8	17
KAP 718 7/16"-20 UNF - A 24,8	PA 6.6 + FV 50% NERO / BLACK	24,8	8,5	8	17
KAP 718 1/2"-20 UNF	PA 6.6 + FV 50% NERO / BLACK	20,8	8,5	8	17
KAP 718 9/16"-18 UNF	PA 6.6 + FV 50% NERO / BLACK	21	8,5	7,5	17
KAP 718 9/16"-18 UNF - L	PA 6.6 + FV 50% NERO / BLACK	21	11,5	7,5	17
KAP 718 5/8"-18 UNF	PA 6.6 + FV 50% NERO / BLACK	20,9	8,5	8	17
KAP 718 3/4"-16 UNF - A 28,7	PA 6.6 + FV 50% NERO / BLACK	28,7	10,6	7,6	22
KAP 718 3/4"-16 UNF - A 32	PA 6.6 + FV 50% NERO / BLACK	32	10,6	8	22
KAP 718 7/8"-14 UNF - A 28,7	PA 6.6 + FV 50% NERO / BLACK	28,7	12	7,6	22
KAP 718 7/8"-14 UNF - A 32	PA 6.6 + FV 50% NERO / BLACK	32	12	7,6	22
KAP 718 1-1/16"-12 UNF	PA 6.6 + FV 50% NERO / BLACK	35	8,5	7,6	27



RIFERIMENTO REFERENCE	MATERIALE / COLORE MATERIAL / COLOUR	AB	CS	W	
KAP 718 1-1/16"-12 UNFL-	PA 6.6 + FV 50% NERO / BLACK	35	11,7	7,6	27
KAP 718 1-1/16"-12 UNF - A 38	PA 6.6 + FV 50% NERO / BLACK	38	17	8	27
KAP 718 1-3/16"-12 UNF	PA 6.6 + FV 50% NERO / BLACK	38,6	11,7	10	27
KAP 718 1-3/16"-12 UNFL-	PA 6.6 + FV 50% NERO / BLACK	38,6	20	11	27
KAP 718 1-5/16"-12 UNF - A 44,5	PA 6.6 + FV 50% NERO / BLACK	44,5	11,7	10	32
KAP 718 1-7/16"-12 UNF	PA 6.6 + FV 50% NERO / BLACK	53,8	11,7	10	36
KAP 718 1-5/8"-12 UNF	PA 6.6 + FV 50% NERO / BLACK	53,8	11,7	10	36
KAP 718 1-7/8"-12 UNF	PA 6.6 + FV 50% NERO / BLACK	60	15	10	36
KAP 718 1"-8 UNF	PA 6.6 + FV 50% NERO / BLACK	45,5	11,7	7,6	32

SOLUZIONI ALTERNATIVE / ALTERNATIVE SOLUTIONS



KAP 708-UN FK



AP 7001-UNF



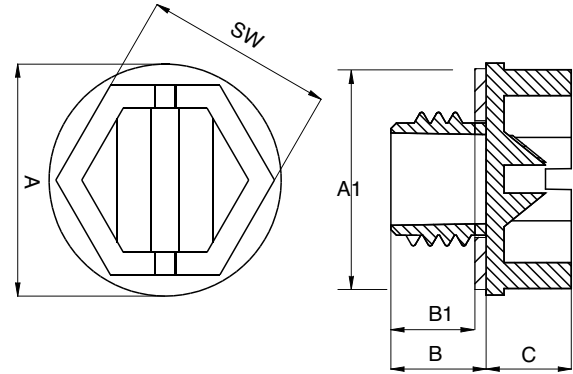


KAP 7000-GAS

TAPPO FILETTATO A TESTA ESAGONALE CON GUARNIZIONE PER FILETTATURE GAS

THREADED PLUGS WITH HEXAGONAL HEAD AND GASKET FOR GAS THREADS

Materiale / Material: PA 6.6 - TAPPO / PLUG
TPE - GUARNIZIONE / GASKET
Colore / Colour: naturale / natural - TAPPO / PLUG
naturale / natural - GUARNIZIONE / GASKET
Dimensioni / Dimensions: mm



RIFERIMENTO REFERENCE	A	A1	B	B1	C	SW
KAP 7000 R 1/8" CON GUARNIZIONE / WITH GASKET	17	16	8,5	7,5	7,5	12
KAP 7000 R 1/4" - A 20,8 CON GUARNIZIONE / WITH GASKET	20,8	19,8	8,5	7,5	7,5	17
KAP 7000 R 1/4" - A 23 CON GUARNIZIONE / WITH GASKET	23	22	8,5	6,5	7,4	17
KAP 7000 R 3/8" - A 20,6 CON GUARNIZIONE / WITH GASKET	20,6	19,6	8,5	6,5	7,6	17
KAP 7000 R 3/8" - A 21,2 CON GUARNIZIONE / WITH GASKET	21,2	20,2	8,5	7,5	7,5	17
KAP 7000 R 3/8" - A 24,8 CON GUARNIZIONE / WITH GASKET	24,8	23,8	8,5	7,5	7,5	17
KAP 7000 R 3/8" - A 28,9 CON GUARNIZIONE / WITH GASKET	28,9	27,9	8,5	7,5	7,5	22
KAP 7000 R 3/8" - A 32 CON GUARNIZIONE / WITH GASKET	32	31	8,5	6,5	7,6	22
KAP 7000 R 1/2" - A 28,6 CON GUARNIZIONE / WITH GASKET	28,6	27,6	8,5	6,5	7,8	22
KAP 7000 R 1/2" - A 29,2 CON GUARNIZIONE / WITH GASKET	29,2	28,2	8,5	7,5	8	22
KAP 7000 R 1/2" - A 31,8 CON GUARNIZIONE / WITH GASKET	31,8	30,8	8,5	7,5	8	22
KAP 7000 R 5/8" CON GUARNIZIONE / WITH GASKET	28,8	27,8	8,5	7,5	8	22
KAP 7000 R 3/4" - A 34,9 CON GUARNIZIONE / WITH GASKET	34,9	33,9	11,7	9,7	7,6	27
KAP 7000 R 3/4" - A 35,4 CON GUARNIZIONE / WITH GASKET	35,4	34,4	11,7	9,7	10	27
KAP 7000 R 1" - A 38,5 CON GUARNIZIONE / WITH GASKET	38,5	37,5	11,7	9,7	7,6	32
KAP 7000 R 1" - A 44,5 CON GUARNIZIONE / WITH GASKET	44,5	43,5	11,7	9,7	7,6	32
KAP 7000 R 1 1/4" CON GUARNIZIONE / WITH GASKET	53,8	52,8	11,7	9,7	10	36
KAP 7000 R 1 1/2" CON GUARNIZIONE / WITH GASKET	60	59	15	13	10	36

SOLUZIONI ALTERNATIVE / ALTERNATIVE SOLUTIONS



KAP 7066-GAS

KAP 7190-GAS



KAP 7000-M

TAPPO FILETTATO A TESTA ESAGONALE CON GUARNIZIONE
PER FILETTATURE METRICHE

THREADED PLUGS WITH HEXAGONAL HEAD AND GASKET
FOR METRIC THREADS

Materiale / Material: PA 6.6 - TAPPO / PLUG

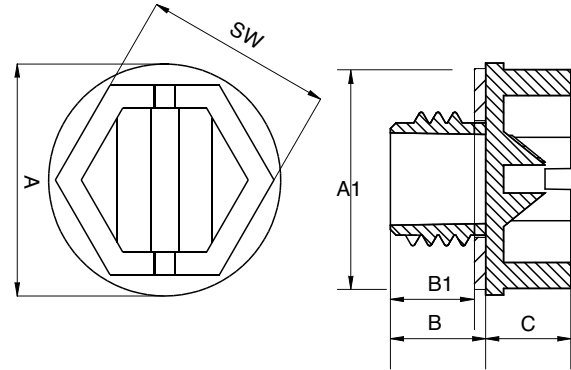
TPE - GUARNIZIONE / GASKET

Colore / Colour:

naturale / natural - TAPPO / PLUG

naturale / natural - GUARNIZIONE / GASKET

Dimensioni / Dimensions: mm



RIFERIMENTO REFERENCE	A	A1	B	B1	C	SW
KAP 7000 M 5x0,8 CON GUARNIZIONE / WITH GASKET	11	10	7	6	5	8
KAP 7000 M 6x0,75 CON GUARNIZIONE / WITH GASKET	12	11	7	6	5	10
KAP 7000 M 6x1 CON GUARNIZIONE / WITH GASKET	12	11	7	6	5	10
KAP 7000 M 8x1 CON GUARNIZIONE / WITH GASKET	11	10	7	6	5	8
KAP 7000 M 8x1,25 CON GUARNIZIONE / WITH GASKET	16,7	15,7	8,5	7,5	8	12
KAP 7000 M 10x1 - A 16,5 CON GUARNIZIONE / WITH GASKET	16,5	15,5	8,5	7,5	8	13
KAP 7000 M 10x1 - A 20,7 CON GUARNIZIONE / WITH GASKET	20,7	19,7	8,5	7,5	8	17
KAP 7000 M 10x1,25 CON GUARNIZIONE / WITH GASKET	20,7	19,7	8,5	7,5	7,6	13
KAP 7000 M 10x1,5 CON GUARNIZIONE / WITH GASKET	16,5	15,5	8,5	7,5	7,6	13
KAP 7000 M 12x1 CON GUARNIZIONE / WITH GASKET	20,9	19,9	8,5	7,5	8	17
KAP 7000 M 12x1,5 CON GUARNIZIONE / WITH GASKET	20,7	19,7	8,5	7,5	7,4	17
KAP 7000 M 12x1,5 - L CON GUARNIZIONE / WITH GASKET	20,7	19,7	11,5	10,5	7,4	17
KAP 7000 M 12x1,75 - A 20,7 CON GUARNIZIONE / WITH GASKET	20,7	19,7	8,5	7,5	7,4	17
KAP 7000 M 12x1,75 - A 21,2 CON GUARNIZIONE / WITH GASKET	21,2	20,2	8,5	7,5	8	17
KAP 7000 M 14x1,5 CON GUARNIZIONE / WITH GASKET	20,9	19,9	8,5	7,5	8	17
KAP 7000 M 14x1,5 - L CON GUARNIZIONE / WITH GASKET	20,9	19,9	11,5	9,5	7,4	17



	AB	A1		B1	C	SW
KAP 7000 M 16x1,5 - A 20,8 CON GUARNIZIONE <i>WITH GASKET</i>	20,8	19,8	8,5	7,5	8	17
KAP 7000 M 16x1,5 - A 22,8 CON GUARNIZIONE <i>WITH GASKET</i>	22,8	21,8	8,5	7,5	8	17
KAP 7000 M 16x1,5 - A 32 CON GUARNIZIONE <i>WITH GASKET</i>	32	31	8,5	7,5	8	17
KAP 7000 M 16x2 CON GUARNIZIONE <i>WITH GASKET</i>	22,8	21,8	8,5	7,5	8	17
KAP 7000 M 18x1,5 CON GUARNIZIONE <i>WITH GASKET</i>	28,7	27,7	8,5	7,5	8	22
KAP 7000 M 18x1,5-L CON GUARNIZIONE <i>WITH GASKET</i>	28,7	27,7	24	23	8	22
KAP 7000 M 20x1,5 CON GUARNIZIONE <i>WITH GASKET</i>	27,5	26,5	8,5	7,5	8	22
KAP 7000 M 20x1,5 - L CON GUARNIZIONE <i>WITH GASKET</i>	27,5	26,5	13,5	11,5	7,6	22
KAP 7000 M 20x2,5 CON GUARNIZIONE <i>WITH GASKET</i>	27,1	26,1	8,5	7,5	8	22
KAP 7000 M 22x1,5 - A 28,5 CON GUARNIZIONE <i>WITH GASKET</i>	28,5	27,5	8,5	7,5	8	22
KAP 7000 M 22x1,5 - A 32 CON GUARNIZIONE <i>WITH GASKET</i>	32	31	11,5	10,5	8	22
KAP 7000 M 24x1,5 CON GUARNIZIONE <i>WITH GASKET</i>	32	31	11,5	9,5	8	22
KAP 7000 M 25x1,5 CON GUARNIZIONE <i>WITH GASKET</i>	34,9	33,9	15	13	8	27
KAP 7000 M 26x1,5 CON GUARNIZIONE <i>WITH GASKET</i>	35,4	34,4	11,7	9,7	10	27
KAP 7000 M 27x2 CON GUARNIZIONE <i>WITH GASKET</i>	35,4	34,4	11,7	9,7	10	27
KAP 7000 M 30x2 CON GUARNIZIONE <i>WITH GASKET</i>	38,6	37,6	11,7	9,7	9	27
KAP 7000 M 33x2 CON GUARNIZIONE <i>WITH GASKET</i>	39	38	11,7	9,7	10	27
KAP 7000 M 42x2 CON GUARNIZIONE <i>WITH GASKET</i>	53,8	52,8	11,7	9,7	10	36
KAP 7000 M 48x2 - A 56,3 CON GUARNIZIONE <i>WITH GASKET</i>	56,3	55,3	15	13	10	36
KAP 7000 M 48x2 - A 60 CON GUARNIZIONE <i>WITH GASKET</i>	60	59	15	13	10	36

SOLUZIONI ALTERNATIVE / ALTERNATIVE SOLUTIONS



KAP 7066-M



KAP 7190-M



KAP 7000-UNF

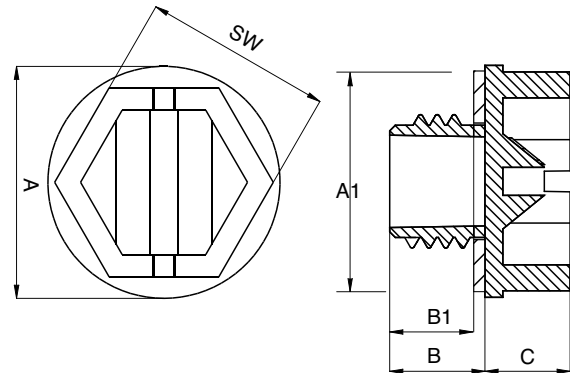
TAPPO FILETTATO A TESTA ESAGONALE CON GUARNIZIONE PER FILETTATURE UNF

THREADED PLUGS WITH HEXAGONAL HEAD AND GASKET FOR UNF THREADS

Materiale / Material: PA 6.6 - TAPPO / PLUG
TPE - GUARNIZIONE / GASKET

Colore / Colour: naturale / natural - TAPPO / PLUG
naturale / natural - GUARNIZIONE / GASKET

Dimensioni / Dimensions: mm



RIFERIMENTO REFERENCE	A	A1	B	B1	C	SW
KAP 7000 7/16"-20 UNF - L CON GUARNIZIONE / WITH GASKET	21	20	11,5	9,5	7,6	17
KAP 7000 7/16"-20 UNF - A 21 CON GUARNIZIONE / WITH GASKET	21	20	8,5	7,5	8	17
KAP 7000 7/16"-20 UNF - A 24,8 CON GUARNIZIONE / WITH GASKET	24,8	23,8	8,5	7,5	8	17
KAP 7000 1/2"-20 UNF CON GUARNIZIONE / WITH GASKET	20,8	19,8	8,5	7,5	8	17
KAP 7000 9/16"-18 UNF CON GUARNIZIONE / WITH GASKET	21	20	8,5	6,5	7,5	17
KAP 7000 9/16"-18 UNF - L CON GUARNIZIONE / WITH GASKET	21	20	11,5	9,5	7,5	17
KAP 7000 5/8"-18 UNF CON GUARNIZIONE / WITH GASKET	20,9	19,9	8,5	7,5	8	17
KAP 7000 3/4"-16 UNF - A 28,7 CON GUARNIZIONE / WITH GASKET	28,7	27,7	10,6	8,6	7,6	22
KAP 7000 3/4"-16 UNF - A 32 CON GUARNIZIONE / WITH GASKET	32	31	10,6	9,6	8	22
KAP 7000 7/8"-14 UNF - A 28,7 CON GUARNIZIONE / WITH GASKET	28,7	28	12	10	7,6	22
KAP 7000 7/8"-14 UNF - A 32 CON GUARNIZIONE / WITH GASKET	32	31	12	10	7,6	22
KAP 7000 1-1/16"-12 UNF CON GUARNIZIONE / WITH GASKET	35	34	8,5	6,5	7,6	27
KAP 7000 1-1/16"-12 UNF - L CON GUARNIZIONE / WITH GASKET	35	34	11,7	9,7	7,6	27
KAP 7000 1-1/16"-12 UNF - A 38 CON GUARNIZIONE / WITH GASKET	38	37	17	16	8	27



	AB	A1		B1	CS	W
KAP 7000 1-3/16"-12 UNF CON GUARNIZIONE <i>WITH GASKET</i>	38,6	37,6	11,7	9,7	10	27
KAP 7000 1-3/16"-12 UNF - L CON GUARNIZIONE <i>WITH GASKET</i>	38,6	36,6	20	18	11	27
KAP 7000 1-5/16"-12 UNF - A 44,5 CON GUARNIZIONE <i>WITH GASKET</i>	44,5	43,5	11,7	9,7	10	32
KAP 7000 1-7/16"-12 UNF CON GUARNIZIONE <i>WITH GASKET</i>	53,8	52,8	11,7	9,7	10	36
KAP 7000 1-5/8"-12 UNF CON GUARNIZIONE <i>WITH GASKET</i>	53,8	52,8	11,7	9,7	10	36
KAP 7000 1-7/8"-12 UNF CON GUARNIZIONE <i>WITH GASKET</i>	60	59	15	13	10	36
KAP 7000 1"-8 UNC CON GUARNIZIONE <i>WITH GASKET</i>	45,5	44,5	11,7	9,7	7,6	32

SOLUZIONI ALTERNATIVE / ALTERNATIVE SOLUTIONS



KAP 7066-UNF



KAP 7190-UNF





KAP 7001-GAS

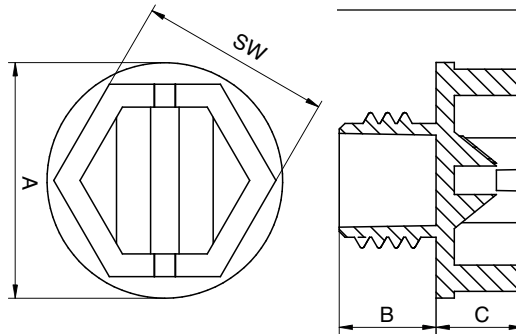
TAPPO FILETTATO A TESTA ESAGONALE
PER FILETTATURE GAS

THREADED PLUGS WITH HEXAGONAL HEAD
FOR GAS THREADS

Materiale / Material: PA 6.6

Colore / Colour: naturale / natural

Dimensioni / Dimensions: mm



RIFERIMENTO REFERENCE	A	B	C	SW
KAP 7001 R 1/8"	17	8,5	7,5	12
KAP 7001 R 1/4" - A 20,8	20,8	8,5	7,5	17
KAP 7001 R 1/4" - A 23	23	8,5	7,4	17
KAP 7001 R 3/8" - A 20,6	20,6	8,5	7,6	17
KAP 7001 R 3/8" - A 21,2	21,2	8,5	7,5	17
KAP 7001 R 3/8" - A 24,8	24,8	8,5	7,5	17
KAP 7001 R 3/8" - A 28,9	28,9	8,5	7,5	22
KAP 7001 R 3/8" - A 32	32	8,5	7,6	22
KAP 7001 R 1/2" - A 28,6	28,6	8,5	7,8	22
KAP 7001 R 1/2" - A 29,2	29,2	8,5	8	22
KAP 7001 R 1/2" - A 31,8	31,8	8,5	8	22
KAP 7001 R 5/8"	28,8	8,5	8	22
KAP 7001 R 3/4" - A 34,9	34,9	11,7	7,6	27
KAP 7001 R 3/4" - A 35,4	35,4	11,7	10	27
KAP 7001 R 1" - A 38,5	38,5	11,7	7,6	32
KAP 7001 R 1" - A 44,5	44,5	11,7	7,6	32
KAP 7001 R 1 1/4"	53,8	11,7	10	36
KAP 7001 R 1 1/2"	60	15	10	36

SOLUZIONI ALTERNATIVE / ALTERNATIVE SOLUTIONS



KAP 708-GAS



KAP 718-GAS

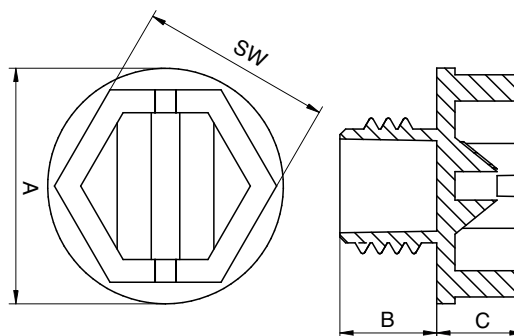


KAP 7001-M

TAPPO FILETTATO A TESTA ESAGONALE
PER FILETTATURE METRICHE

THREADED PLUGS WITH HEXAGONAL HEAD
FOR METRIC THREADS

Materiale / Material: PA 6.6
Colore / Colour: naturale / natural
Dimensioni / Dimensions: mm



RIFERIMENTO REFERENCE	A	A1	B	C	SW
KAP 7001 M 5x0,8	11		7	5	8
KAP 7001 M 6x0,75	12		7	5	10
KAP 7001 M 6x1	12		7	5	10
KAP 7001 M 8x1	11		7	5	8
KAP 7001 M 8x1,25	16,7		8,5	8	12
KAP 7001 M 10x1 - A 16,5	16,5		8,5	8	13
KAP 7001 M 10x1 - A 20,7	20,7		8,5	8	17
KAP 7001 M 10x1 - A 27	27	23	8,5	7,5	13
KAP 7001 M 10x1,25	20,7		8,5	7,6	13
KAP 7001 M 10x1,5	16,5		8,5	7,6	13
KAP 7001 M 12x1	20,9		8,5	8	17
KAP 7001 M 12x1,25	26	21	8,5	8	17
KAP 7001 M 12x1,5	20,7		8,5	7,4	17
KAP 7001 M 12x1,5 - L	20,7		11,5	7,4	17
KAP 7001 M 12x1,5 - A 21,2	21,2		8,5	8	17
KAP 7001 M 12x1,5 - A 26	26	21	8,5	8	17
KAP 7001 M 12x1,75 -A 20,7	20,7		8,5	7,4	17
KAP 7001 M 12x1,75 -A 21,2	21,2		8,5	8	17
KAP 7001 M 14x1,5	20,9		8,5	8	17
KAP 7001 M 14x1,5 - L	20,9		11,5	7,4	17
KAP 7001 M 14x1,5 - A 25,5	25,5	23,5	8,5	8	17
KAP 7001 M 16x1,5 - A 20,8	20,8		8,5	8	17
KAP 7001 M 16x1,5 - A 22,8	22,8		8,5	8	17
KAP 7001 M 16x1,5 - A 32	32		8,5	8	17



RIFERIMENTO REFERENCE	A	A1	BC		SW
KAP 7001 M 16x2	22,8		8,5	8	17
KAP 7001 M 18x1,5	28,7		8,5	8	22
KAP 7001 M 18x1,5 - L	28,7		24	8	22
KAP 7001 M 20x1,5	27,5		8,5	8	22
KAP 7001 M 20x1,5 - L	27,5		13,5	7,6	22
KAP 7001 M 20x2,5	27,1		8,5	8	22
KAP 7001 M 22x1,5 - A 28,5	28,5		8,5	8	22
KAP 7001 M 22x1,5 - A 32	32		11,5	8	22
KAP 7001 M 22x1,5 - A 36,5	36,5	32	11,5	8	22
KAP 7001 M 24x1,5	32		11,5	8	22
KAP 7001 M 25x1,5	34,9		15	8	27
KAP 7001 M 26x1,5	35,4		11,7	10	27
KAP 7001 M 27x2	35,4		11,7	10	27
KAP 7001 M 30x2	38,6		11,7	9	27
KAP 7001 M 33x2	39		11,7	10	27
KAP 7001 M 42x2	53,8		11,7	10	36
KAP 7001 M 48x2 - A 56,3	56,3		15	10	36
KAP 7001 M 48x2 - A 60	60		15	10	36

SOLUZIONI ALTERNATIVE / ALTERNATIVE SOLUTIONS



KAP 708-MK



AP 718-M

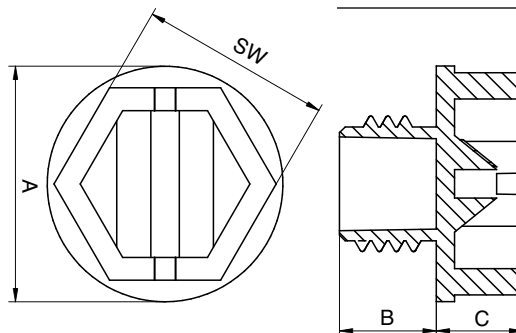


KAP 7001-UNF

TAPPO FILETTATO A TESTA ESAGONALE
PER FILETTATURE UNF

THREADED PLUGS WITH HEXAGONAL HEAD
FOR UNF THREADS

Materiale / Material: PA 6.6
Colore / Colour: naturale / natural
Dimensioni / Dimensions: mm



RIFERIMENTO REFERENCE	A	B	C	SW
KAP 7001 7/16"-20 UNF - L	21	11,5	7,6	17
KAP 7001 7/16"-20 UNF - A 21	21	8,5	8	17
KAP 7001 7/16"-20 UNF - A 24,8	24,8	8,5	8	17
KAP 7001 1/2"-20 UNF	20,8	8,5	8	17
KAP 7001 9/16"-18 UNF	21	8,5	7,5	17
KAP 7001 9/16"-18 UNF - L	21	11,5	7,5	17
KAP 7001 5/8"-18 UNF	20,9	8,5	8	17
KAP 7001 3/4"-16 UNF - A 28,7	28,7	10,6	7,6	22
KAP 7001 3/4"-16 UNF - A 32	32	10,6	8	22
KAP 7001 7/8"-14 UNF - A 28,7	28,7	12	7,6	22
KAP 7001 7/8"-14 UNF - A 32	32	12	7,6	22
KAP 7001 1-1/16"-12 UNF	35	8,5	7,6	27
KAP 7001 1-1/16"-12 UNF - L	35	11,7	7,6	27
KAP 7001 1-1/16"-12 UNF - A 38	38	17	8	27
KAP 7001 1-3/16"-12 UNF	38,6	11,7	10	27
KAP 7001 1-3/16"-12 UNF - L	38,6	20	11	27
KAP 7001 1-5/16"-12 UNF - A 44,5	44,5	11,7	10	32
KAP 7001 1-7/16"-12 UNF	53,8	11,7	10	36
KAP 7001 1-5/8"-12 UNF	53,8	11,7	10	36
KAP 7001 1-7/8"-12 UNF	60	15	10	36
KAP 7001 1"-8 UNC	45,5	11,7	7,6	32

SOLUZIONI ALTERNATIVE / ALTERNATIVE SOLUTIONS



KAP 708-UNF



KAP 718-UNF





KAP 7190-GAS

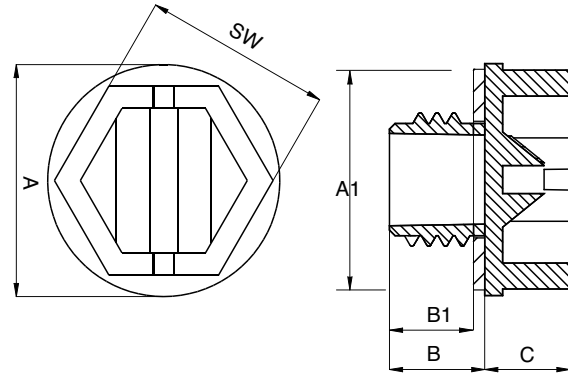
TAPPO FILETTATO RINFORZATO A TESTA ESAGONALE
CON GUARNIZIONE PER FILETTATURE GAS

REINFORCED THREADED PLUGS, WITH HEXAGONAL HEAD
AND GASKET FOR GAS THREADS

Materiale / Material: PA 6.6 + FV 50% - TAPPO / PLUG
TPE - GUARNIZIONE / GASKET

Colore / Colour: nero / black - TAPPO / PLUG
naturale / natural - GUARNIZIONE / GASKET

Dimensioni / Dimensions: mm



RIFERIMENTO REFERENCE	MATERIALE / COLORE MATERIAL / COLOUR	A	A1	B	B1	C	SW
KAP 7190 R 1/8" CON GUARNIZIONE / WITH GASKET	PA 6.6 + FV 50% NERO / BLACK	17	16	8,5	7,5	7,5	12
KAP 7190 R 1/4" - A 20,8 CON GUARNIZIONE / WITH GASKET	PA 6.6 + FV 50% NERO / BLACK	20,8	19,8	8,5	7,5	7,5	17
KAP 7190 R 1/4" - A 23 CON GUARNIZIONE / WITH GASKET	PA 6.6 + FV 50% NERO / BLACK	23	22	8,5	6,5	7,4	17
KAP 7190 R 3/8" - A 20,6 CON GUARNIZIONE / WITH GASKET	PA 6.6 + FV 50% NERO / BLACK	20,6	19,6	8,5	6,5	7,6	17
KAP 7190 R 3/8" - A 21,2 CON GUARNIZIONE / WITH GASKET	PA 6.6 + FV 50% NERO / BLACK	21,2	20,2	8,5	7,5	7,5	17
KAP 7190 R 3/8" - A 24,8 CON GUARNIZIONE / WITH GASKET	PA 6.6 + FV 50% NERO / BLACK	24,8	23,8	8,5	7,5	7,5	17
KAP 7190 R 3/8" - A 28,9 CON GUARNIZIONE / WITH GASKET	PA 6.6 + FV 50% NERO / BLACK	28,9	27,9	8,5	7,5	7,5	22
KAP 7190 R 3/8" - A 32 CON GUARNIZIONE / WITH GASKET	PA 6.6 + FV 50% NERO / BLACK	32	31	8,5	6,5	7,6	22
KAP 7190 R 1/2" - A 28,6 CON GUARNIZIONE / WITH GASKET	PA 6.6 + FV 50% NERO / BLACK	28,6	27,6	8,5	6,5	7,8	22
KAP 7190 R 1/2" - A 29,2 CON GUARNIZIONE / WITH GASKET	PA 6.6 + FV 50% NERO / BLACK	29,2	28,2	8,5	7,5	8	22
KAP 7190 R 1/2" - A 31,8 CON GUARNIZIONE / WITH GASKET	PA 6.6 + FV 50% NERO / BLACK	31,8	30,8	8,5	7,5	8	22
KAP 7190 R 5/8" CON GUARNIZIONE / WITH GASKET	PA 6.6 + FV 50% NERO / BLACK	28,8	27,8	8,5	7,5	8	22
KAP 7190 R 3/4" - A 34,9 CON GUARNIZIONE / WITH GASKET	PA 6.6 + FV 50% NERO / BLACK	34,9	33,9	11,7	9,7	7,6	27
KAP 7190 R 3/4" - A 35,4 CON GUARNIZIONE / WITH GASKET	PA 6.6 + FV 50% NERO / BLACK	35,4	34,4	11,7	9,7	10	27

RIFERIMENTO REFERENCE	MATERIALE / COLORE MATERIAL / COLOUR	AB	A1	B1	C	SW	
KAP 7190 R 1" - A 385 CON GUARNIZIONE / WITH GASKET	PA 6.6 + FV 50% NERO / BLACK	38,5	37,5	11,7	9,7	7,6	32
KAP 7190 R 1" - A 445 CON GUARNIZIONE / WITH GASKET	PA 6.6 + FV 50% NERO / BLACK	44,5	43,5	11,7	9,7	7,6	32
KAP 7190 R 1 1/4" CON GUARNIZIONE / WITH GASKET	PA 6.6 + FV 50% NERO / BLACK	53,8	52,8	11,7	9,7	10	36
KAP 7190 R 1 1/2" CON GUARNIZIONE / WITH GASKET	PA 6.6 + FV 50% NERO / BLACK	60	59	15	13	10	36

SOLUZIONI ALTERNATIVE / ALTERNATIVE SOLUTIONS



KAP 7000-GAS



KAP 7066-GAS





KAP 7190-M

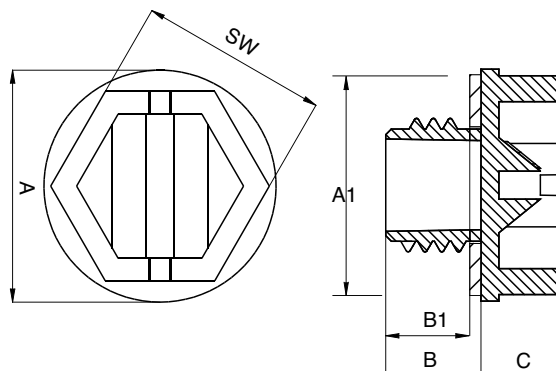
TAPPO FILETTATO RINFORZATO A TESTA ESAGONALE
CON GUARNIZIONE PER FILETTATURE METRICHE

REINFORCED THREADED PLUGS, WITH HEXAGONAL HEAD
AND GASKET FOR METRIC THREADS

Materiale / Material: PA 6.6 + FV 50% - TAPPO / PLUG
TPE - GUARNIZIONE / GASKET

Colore / Colour: nero / black - TAPPO / PLUG
naturale / natural - GUARNIZIONE / GASKET

Dimensioni / Dimensions: mm



RIFERIMENTO REFERENCE	MATERIALE / COLORE MATERIAL / COLOUR	A	A1	B	B1	C	SW
KAP 7190 M 5x0,8 CON GUARNIZIONE / WITH GASKET	PA 6.6 + FV 50% NERO / BLACK	11	10	7	6	5	8
KAP 7190 M 6x0,75 CON GUARNIZIONE / WITH GASKET	PA 6.6 + FV 50% NERO / BLACK	12	11	7	6	5	10
KAP 7190 M 6x1 CON GUARNIZIONE / WITH GASKET	PA 6.6 + FV 50% NERO / BLACK	12	11	7	6	5	10
KAP 7190 M 8x1 CON GUARNIZIONE / WITH GASKET	PA 6.6 + FV 50% NERO / BLACK	11	10	7	6	5	8
KAP 7190 M 8x1,25 CON GUARNIZIONE / WITH GASKET	PA 6.6 + FV 50% NERO / BLACK	16,7	15,7	8,5	7,5	8	12
KAP 7190 M 10x1 - A 16,5 CON GUARNIZIONE / WITH GASKET	PA 6.6 + FV 50% NERO / BLACK	16,5	15,5	8,5	7,5	8	13
KAP 7190 M 10x1 - A 20,7 CON GUARNIZIONE / WITH GASKET	PA 6.6 + FV 50% NERO / BLACK	20,7	19,7	8,5	7,5	8	17
KAP 7190 M 10x1,25 CON GUARNIZIONE / WITH GASKET	PA 6.6 + FV 50% NERO / BLACK	20,7	19,7	8,5	7,5	7,6	13
KAP 7190 M 10x1,5 CON GUARNIZIONE / WITH GASKET	PA 6.6 + FV 50% NERO / BLACK	16,5	15,5	8,5	7,5	7,6	13
KAP 7190 M 12x1 CON GUARNIZIONE / WITH GASKET	PA 6.6 + FV 50% NERO / BLACK	20,9	19,9	8,5	7,5	8	17
KAP 7190 M 12x1,5 CON GUARNIZIONE / WITH GASKET	PA 6.6 + FV 50% NERO / BLACK	20,7	19,7	8,5	7,5	7,4	17
KAP 7190 M 12x1,5 - L CON GUARNIZIONE / WITH GASKET	PA 6.6 + FV 50% NERO / BLACK	20,7	19,7	11,5	10,5	7,4	17
KAP 7190 M 12x1,75 - A 20,7 CON GUARNIZIONE / WITH GASKET	PA 6.6 + FV 50% NERO / BLACK	20,7	19,7	8,5	7,5	7,4	17
KAP 7190 M 12x1,75 - A 21,2 CON GUARNIZIONE / WITH GASKET	PA 6.6 + FV 50% NERO / BLACK	21,2	20,2	8,5	7,5	8	17
KAP 7190 M 14x1,5 CON GUARNIZIONE / WITH GASKET	PA 6.6 + FV 50% NERO / BLACK	20,9	19,9	8,5	7,5	8	17
KAP 7190 M 14x1,5 - L CON GUARNIZIONE / WITH GASKET	PA 6.6 + FV 50% NERO / BLACK	20,9	19,9	11,5	9,5	7,4	17



		AB	A1		B1	C	SW
KAP 7190 M 16x1,5 - A 20,8 CON GUARNIZIONE <i>WITH GASKET</i>	PA 6.6 + FV 50% NERO / <i>BLACK</i>	20,8	19,8	8,5	7,5	8	17
KAP 7190 M 16x1,5 - A 22,8 CON GUARNIZIONE <i>WITH GASKET</i>	PA 6.6 + FV 50% NERO / <i>BLACK</i>	22,8	21,8	8,5	7,5	8	17
KAP 7190 M 16x1,5 - A 32 CON GUARNIZIONE <i>WITH GASKET</i>	PA 6.6 + FV 50% NERO / <i>BLACK</i>	32	31	8,5	7,5	8	17
KAP 7190 M 16x2 CON GUARNIZIONE <i>WITH GASKET</i>	PA 6.6 + FV 50% NERO / <i>BLACK</i>	22,8	21,8	8,5	7,5	8	17
KAP 7190 M 18x1,5 CON GUARNIZIONE <i>WITH GASKET</i>	PA 6.6 + FV 50% NERO / <i>BLACK</i>	28,7	27,7	8,5	7,5	8	22
KAP 7190 M 18x1,5-L CON GUARNIZIONE <i>WITH GASKET</i>	PA 6.6 + FV 50% NERO / <i>BLACK</i>	28,7	27,7	24	23	8	22
KAP 7190 M 20x1,5 CON GUARNIZIONE <i>WITH GASKET</i>	PA 6.6 + FV 50% NERO / <i>BLACK</i>	27,5	26,5	8,5	7,5	8	22
KAP 7190 M 20x1,5 - L CON GUARNIZIONE <i>WITH GASKET</i>	PA 6.6 + FV 50% NERO / <i>BLACK</i>	27,5	26,5	13,5	11,5	7,6	22
KAP 7190 M 20x2,5 CON GUARNIZIONE <i>WITH GASKET</i>	PA 6.6 + FV 50% NERO / <i>BLACK</i>	27,1	26,1	8,5	7,5	8	22
KAP 7190 M 22x1,5 - A 28,5 CON GUARNIZIONE <i>WITH GASKET</i>	PA 6.6 + FV 50% NERO / <i>BLACK</i>	28,5	27,5	8,5	7,5	8	22
KAP 7190 M 22x1,5 - A 32 CON GUARNIZIONE <i>WITH GASKET</i>	PA 6.6 + FV 50% NERO / <i>BLACK</i>	32	31	11,5	10,5	8	22
KAP 7190 M 24x1,5 CON GUARNIZIONE <i>WITH GASKET</i>	PA 6.6 + FV 50% NERO / <i>BLACK</i>	32	31	11,5	9,5	8	22
KAP 7190 M 25x1,5 CON GUARNIZIONE <i>WITH GASKET</i>	PA 6.6 + FV 50% NERO / <i>BLACK</i>	34,9	33,9	15	13	8	27
KAP 7190 M 26x1,5 CON GUARNIZIONE <i>WITH GASKET</i>	PA 6.6 + FV 50% NERO / <i>BLACK</i>	35,4	34,4	11,7	9,7	10	27
KAP 7190 M 27x2 CON GUARNIZIONE <i>WITH GASKET</i>	PA 6.6 + FV 50% NERO / <i>BLACK</i>	35,4	34,4	11,7	9,7	10	27
KAP 7190 M 30x2 CON GUARNIZIONE <i>WITH GASKET</i>	PA 6.6 + FV 50% NERO / <i>BLACK</i>	38,6	37,6	11,7	9,7	9	27
KAP 7190 M 33x2 CON GUARNIZIONE <i>WITH GASKET</i>	PA 6.6 + FV 50% NERO / <i>BLACK</i>	39	38	11,7	9,7	10	27
KAP 7190 M 42x2 CON GUARNIZIONE <i>WITH GASKET</i>	PA 6.6 + FV 50% NERO / <i>BLACK</i>	53,8	52,8	11,7	9,7	10	36
KAP 7190 M 48x2 - A 56,3 CON GUARNIZIONE <i>WITH GASKET</i>	PA 6.6 + FV 50% NERO / <i>BLACK</i>	56,3	55,3	15	13	10	36
KAP 7190 M 48x2 - A 60 CON GUARNIZIONE <i>WITH GASKET</i>	PA 6.6 + FV 50% NERO / <i>BLACK</i>	60	59	15	13	10	36

SOLUZIONI ALTERNATIVE / ALTERNATIVE SOLUTIONS



KAP 7000-M



KAP 7066-M



KAP 7190-UNF

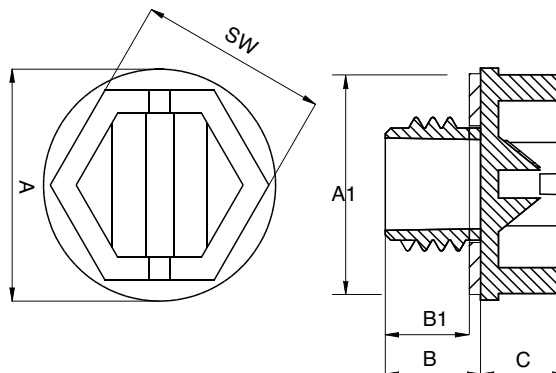
TAPPO FILETTATO RINFORZATO A TESTA ESAGONALE
CON GUARNIZIONE PER FILETTATURE UNF

REINFORCED THREADED PLUGS, WITH HEXAGONAL
HEAD AND GASKET FOR UNF THREADS

Materiale / Material: PA 6.6 + FV 50% - TAPPO / PLUG
TPE - GUARNIZIONE / GASKET

Colore / Colour: nero / black - TAPPO / PLUG
naturale / natural - GUARNIZIONE / GASKET

Dimensioni / Dimensions: mm



RIFERIMENTO REFERENCE	MATERIALE / COLORE MATERIAL / COLOUR	A	A1	B	B1	C	SW
KAP 7190 7/16"-20 UNF - L CON GUARNIZIONE / WITH GASKET	PA 6.6 + FV 50% NERO / BLACK	21	20	11,5	9,5	7,6	17
KAP 7190 7/16"-20 UNF - A 21 CON GUARNIZIONE / WITH GASKET	PA 6.6 + FV 50% NERO / BLACK	21	20	8,5	7,5	8	17
KAP 7190 7/16"-20 UNF - A 24,8 CON GUARNIZIONE / WITH GASKET	PA 6.6 + FV 50% NERO / BLACK	24,8	23,8	8,5	7,5	8	17
KAP 7190 1/2"-20 UNF CON GUARNIZIONE / WITH GASKET	PA 6.6 + FV 50% NERO / BLACK	20,8	19,8	8,5	7,5	8	17
KAP 7190 9/16"-18 UNF CON GUARNIZIONE / WITH GASKET	PA 6.6 + FV 50% NERO / BLACK	21	20	8,5	6,5	7,5	17
KAP 7190 9/16"-18 UNF - L CON GUARNIZIONE / WITH GASKET	PA 6.6 + FV 50% NERO / BLACK	21	20	11,5	9,5	7,5	17
KAP 7190 5/8"-18 UNF CON GUARNIZIONE / WITH GASKET	PA 6.6 + FV 50% NERO / BLACK	20,9	19,9	8,5	7,5	8	17
KAP 7190 3/4"-16 UNF - A 28,7 CON GUARNIZIONE / WITH GASKET	PA 6.6 + FV 50% NERO / BLACK	28,7	27,7	10,6	8,6	7,6	22
KAP 7190 3/4"-16 UNF - A 32 CON GUARNIZIONE / WITH GASKET	PA 6.6 + FV 50% NERO / BLACK	32	31	10,6	9,6	8	22
KAP 7190 7/8"-14 UNF - A 28,7 CON GUARNIZIONE / WITH GASKET	PA 6.6 + FV 50% NERO / BLACK	28,7	28	12	10	7,6	22
KAP 7190 7/8"-14 UNF - A 32 CON GUARNIZIONE / WITH GASKET	PA 6.6 + FV 50% NERO / BLACK	32	31	12	10	7,6	22
KAP 7190 1-1/16"-12 UNF CON GUARNIZIONE / WITH GASKET	PA 6.6 + FV 50% NERO / BLACK	35	34	8,5	6,5	7,6	27



		AB	A1		B1	C	SW
KAP 7190 1-1/16"-12 UNF - L CON GUARNIZIONE <i>WITH GASKET</i>	PA 6.6 + FV 50% NERO / <i>BLACK</i>	35	34	11,7	9,7	7,6	27
KAP 7190 1-1/16"-12 UNF - A 38 CON GUARNIZIONE <i>WITH GASKET</i>	PA 6.6 + FV 50% NERO / <i>BLACK</i>	38	37	17	16	8	27
KAP 7190 1-3/16"-12 UNF CON GUARNIZIONE <i>WITH GASKET</i>	PA 6.6 + FV 50% NERO / <i>BLACK</i>	38,6	37,6	11,7	9,7	10	27
KAP 7190 1-3/16"-12 UNF L CON GUARNIZIONE <i>WITH GASKET</i>	PA 6.6 + FV 50% NERO / <i>BLACK</i>	38,6	36,6	20	18	11	27
KAP 7190 1-5/16"-12 UNF - A 44,5 CON GUARNIZIONE <i>WITH GASKET</i>	PA 6.6 + FV 50% NERO / <i>BLACK</i>	44,5	43,5	11,7	9,7	10	32
KAP 7190 1-7/16"-12 UNF CON GUARNIZIONE <i>WITH GASKET</i>	PA 6.6 + FV 50% NERO / <i>BLACK</i>	53,8	52,8	11,7	9,7	10	36
KAP 7190 1-5/8"-12 UNF CON GUARNIZIONE <i>WITH GASKET</i>	PA 6.6 + FV 50% NERO / <i>BLACK</i>	53,8	52,8	11,7	9,7	10	36
KAP 7190 1-7/8"-12 UNF CON GUARNIZIONE <i>WITH GASKET</i>	PA 6.6 + FV 50% NERO / <i>BLACK</i>	60	59	15	13	10	36
KAP 7190 1"-8 UNC CON GUARNIZIONE <i>WITH GASKET</i>	PA 6.6 + FV 50% NERO / <i>BLACK</i>	45,5	44,5	11,7	9,7	7,6	32

SOLUZIONI ALTERNATIVE / *ALTERNATIVE SOLUTIONS*



KAP 7000-UNF



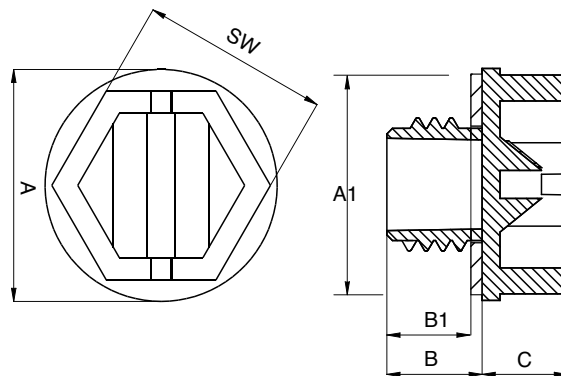
KAP 7066-UNF

KAP 7065-GAS

TAPPO FILETTATO A TESTA ESAGONALE
CON GUARNIZIONE **ANTIOLIO** PER FILETTATURE GAS
THREADED PLUGS WITH HEXAGONAL
HEAD AND **OILPROOF** GASKET FOR GAS THREADS

Materiale / Material: PA 6.6 - TAPPO / PLUG
TPE - GUARNIZIONE / GASKET
Colore / Colour: giallo / yellow - TAPPO / PLUG
verde biancastro/pastel green - GUARNIZIONE/GASKET

Dimensioni / Dimensions: mm



RIFERIMENTO REFERENCE	A	A1	B	B1	C	SW
KAP 7065 R 1/4" CON GUARNIZIONE / WITH GASKET	20,8	17	8,5	7,5	7,4	17
KAP 7065 R 3/8" CON GUARNIZIONE / WITH GASKET	24,8	23	8,25	7,25	7,6	17
KAP 7065 R 1/2" CON GUARNIZIONE / WITH GASKET	28,8	28	8,5	7,5	7,8	22
KAP 7065 R 1/2"-A 32 CON GUARNIZIONE / WITH GASKET	32	28	8,5	7,5	7,8	22
KAP 7065 R 3/4" CON GUARNIZIONE / WITH GASKET	35	33	11,7	10,7	7,6	27
KAP 7065 R 1" CON GUARNIZIONE / WITH GASKET	44,5	42	11,7	10,7	7,5	32

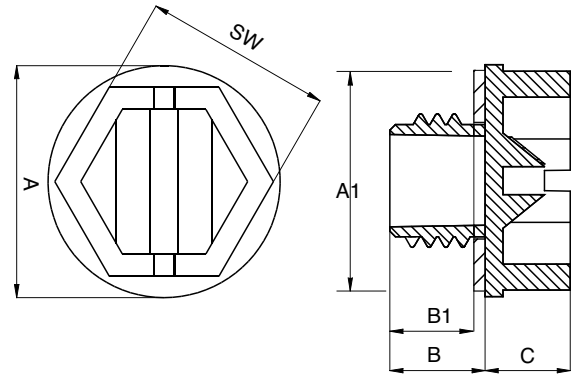


KAP 7065-M

TAPPO FILETTATO A TESTA ESAGONALE
CON GUARNIZIONE **ANTIOLIO** PER FILETTATURE METRICHE
*THREADED PLUGS WITH HEXAGONAL
HEAD AND **OILPROOF** GASKET FOR METRIC THREADS*

Materiale / Material: PA 6.6 - TAPPO / PLUG
TPE - GUARNIZIONE / GASKET
Colore / Colour: rosso / red - TAPPO / PLUG
verde biancastro/pastel green - GUARNIZIONE/GASKET

Dimensioni / Dimensions: mm



RIFERIMENTO REFERENCE	A	A1	B	B1	C	SW
KAP 7065 M 12 x 1,5 CON GUARNIZIONE / WITH GASKET	20,7	19	9,5	8,5	7,4	17
KAP 7065 M 12 x 1,5-L CON GUARNIZIONE / WITH GASKET	20,7	19	11,5	10,5	7,4	17
KAP 7065 M 16 x 1,5 CON GUARNIZIONE / WITH GASKET	22,8	20	8,7	7,7	7,4	17
KAP 7065 M 18 x 1,5 CON GUARNIZIONE / WITH GASKET	28,7	26	8,5	7,5	7,4	22
KAP 7065 M 18 x 1,5-L CON GUARNIZIONE / WITH GASKET	28,7	26	11,5	10,5	7,4	22
KAP 7065 M 22 x 1,5 CON GUARNIZIONE / WITH GASKET	32	31	11,5	10,5	8	22





KAP 7065-UNF

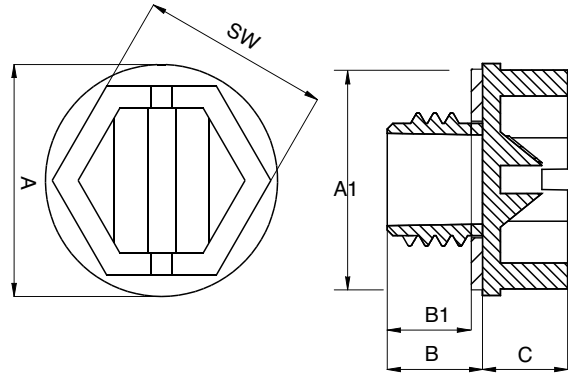
TAPPO FILETTATO A TESTA ESAGONALE
CON GUARNIZIONE **ANTIOLIO** PER FILETTATURE UNF

THREADED PLUGS WITH HEXAGONAL
HEAD AND **OILPROOF** GASKET FOR UNF THREADS

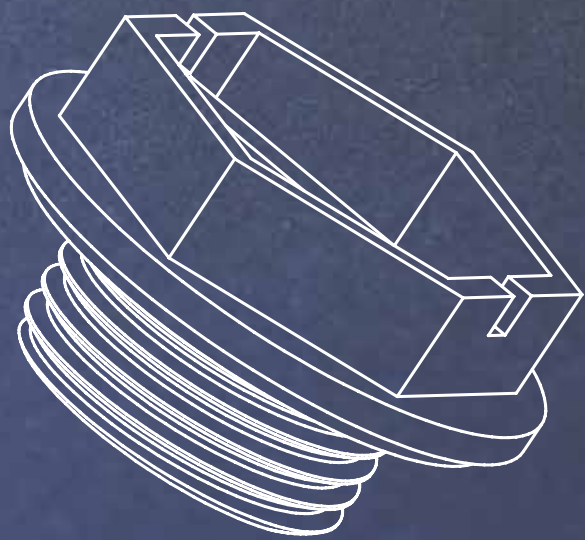
Materiale / Material: PA 6.6 - TAPPO / PLUG
TPE - GUARNIZIONE / GASKET

Colore / Colour: verde / green - TAPPO / PLUG
verde biancastro/pastel green - GUARNIZIONE/GASKET

Dimensioni / Dimensions: mm



RIFERIMENTO REFERENCE	A	A1	B	B1	C	SW
KAP 7065 7/16"-20 UNF CON GUARNIZIONE / WITH GASKET	20,8	18,5	8,5	7,5	7,6	17
KAP 7065 7/16"-20 UNF - L CON GUARNIZIONE / WITH GASKET	20,8	18,5	11,5	10,5	7,5	17
KAP 7065 9/16"-18 UNF CON GUARNIZIONE / WITH GASKET	24	20	11,5	10,5	7,5	17
KAP 7065 3/4"-16 UNF CON GUARNIZIONE / WITH GASKET	28,7	27,5	10,6	9,6	7,6	22
KAP 7065 3/4"-16 UNF - A 32 CON GUARNIZIONE / WITH GASKET	32	27,5	10,6	9,6	7,6	22
KAP 7065 7/8"-14 UNF CON GUARNIZIONE / WITH GASKET	32	31	12	11	7,6	22







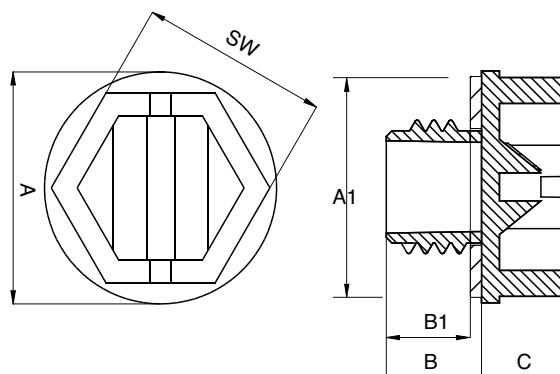
KAP 7066-GAS

TAPPO FILETTATO A TESTA ESAGONALE
CON GUARNIZIONE PER FILETTATURE GAS

THREADED PLUGS WITH HEXAGONAL
HEAD AND GASKET FOR GAS THREADS

Materiale / Material: PA 6.6 - TAPPO / PLUG
TPE - GUARNIZIONE / GASKET
Colore / Colour: giallo / yellow - TAPPO / PLUG
naturale / natural - GUARNIZIONE / GASKET

Dimensioni / Dimensions: mm



RIFERIMENTO REFERENCE	A	A1	B	B1	C	SW
KAP 7066 R 1/8" CON GUARNIZIONE / WITH GASKET	17	16	8,5	7,5	7,5	12
KAP 7066 R 1/4" - A 20,8 CON GUARNIZIONE / WITH GASKET	20,8	19,8	8,5	7,5	7,5	17
KAP 7066 R 1/4" - A 23 CON GUARNIZIONE / WITH GASKET	23	22	8,5	6,5	7,4	17
KAP 7066 R 3/8" - A 20,6 CON GUARNIZIONE / WITH GASKET	20,6	19,6	8,5	6,5	7,6	17
KAP 7066 R 3/8" - A 21,2 CON GUARNIZIONE / WITH GASKET	21,2	20,2	8,5	7,5	7,5	17
KAP 7066 R 3/8" - A 24,8 CON GUARNIZIONE / WITH GASKET	24,8	23,8	8,5	7,5	7,5	17
KAP 7066 R 3/8" - A 28,9 CON GUARNIZIONE / WITH GASKET	28,9	27,9	8,5	7,5	7,5	22
KAP 7066 R 3/8" - A 32 CON GUARNIZIONE / WITH GASKET	32	31	8,5	6,5	7,6	22
KAP 7066 R 1/2" - A 28,6 CON GUARNIZIONE / WITH GASKET	28,6	27,6	8,5	6,5	7,8	22
KAP 7066 R 1/2" - A 29,2 CON GUARNIZIONE / WITH GASKET	29,2	28,2	8,5	7,5	8	22
KAP 7066 R 1/2" - A 31,8 CON GUARNIZIONE / WITH GASKET	31,8	30,8	8,5	7,5	8	22
KAP 7066 R 5/8" CON GUARNIZIONE / WITH GASKET	28,8	27,8	8,5	7,5	8	22
KAP 7066 R 3/4" - A 34,9 CON GUARNIZIONE / WITH GASKET	34,9	33,9	11,7	9,7	7,6	27
KAP 7066 R 3/4" - A 35,4 CON GUARNIZIONE / WITH GASKET	35,4	34,4	11,7	9,7	10	27
KAP 7066 R 1" - A 38,5 CON GUARNIZIONE / WITH GASKET	38,5	37,5	11,7	9,7	7,6	32
KAP 7066 R 1" - A 44,5 CON GUARNIZIONE / WITH GASKET	44,5	43,5	11,7	9,7	7,6	32
KAP 7066 R 1 1/4" CON GUARNIZIONE / WITH GASKET	53,8	52,8	11,7	9,7	10	36
KAP 7066 R 1 1/2" CON GUARNIZIONE / WITH GASKET	60	59	15	13	10	36

SOLUZIONI ALTERNATIVE / ALTERNATIVE SOLUTIONS



KAP 7000-GAS



KAP 7190-GAS

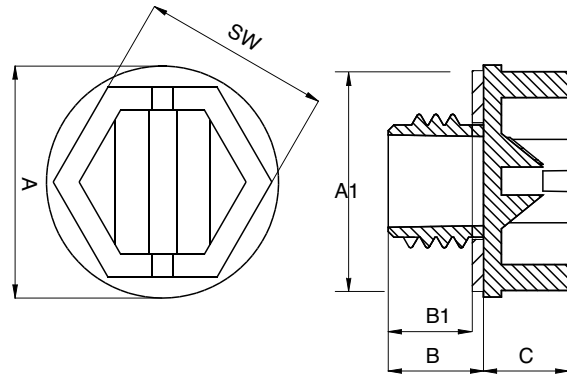


KAP 7066-M

TAPPO FILETTATO A TESTA ESAGONALE
CON GUARNIZIONE PER FILETTATURE METRICHE
*THREADED PLUGS WITH HEXAGONAL
HEAD AND GASKET FOR METRIC THREADS*

Materiale / Material: PA 6.6 - TAPPO / PLUG
TPE - GUARNIZIONE / GASKET
Colore / Colour: rosso / red - TAPPO / PLUG
naturale / natural - GUARNIZIONE / GASKET

Dimensioni / Dimensions: mm



RIFERIMENTO REFERENCE	A	A1	B	B1	C	SW
KAP 7066 M 5x0,8 CON GUARNIZIONE / WITH GASKET	11	10	7	6	5	8
KAP 7066 M 6x0,75 CON GUARNIZIONE / WITH GASKET	12	11	7	6	5	10
KAP 7066 M 6x1 CON GUARNIZIONE / WITH GASKET	12	11	7	6	5	10
KAP 7066 M 8x1 CON GUARNIZIONE / WITH GASKET	11	10	7	6	5	8
KAP 7066 M 8x1,25 CON GUARNIZIONE / WITH GASKET	16,7	15,7	8,5	7,5	8	12
KAP 7066 M 10x1 - A 16,5 CON GUARNIZIONE / WITH GASKET	16,5	15,5	8,5	7,5	8	13
KAP 7066 M 10x1 - A 20,7 CON GUARNIZIONE / WITH GASKET	20,7	19,7	8,5	7,5	8	17
KAP 7066 M 10x1,25 CON GUARNIZIONE / WITH GASKET	20,7	19,7	8,5	7,5	7,6	13
KAP 7066 M 10x1,5 CON GUARNIZIONE / WITH GASKET	16,5	15,5	8,5	7,5	7,6	13
KAP 7066 M 12x1 CON GUARNIZIONE / WITH GASKET	20,9	19,9	8,5	7,5	8	17
KAP 7066 M 12x1,5 CON GUARNIZIONE / WITH GASKET	20,7	19,7	8,5	7,5	7,4	17
KAP 7066 M 12x1,5 - L CON GUARNIZIONE / WITH GASKET	20,7	19,7	11,5	10,5	7,4	17
KAP 7066 M 12x1,75 - A 20,7 CON GUARNIZIONE / WITH GASKET	20,7	19,7	8,5	7,5	7,4	17
KAP 7066 M 12x1,75 - A 21,2 CON GUARNIZIONE / WITH GASKET	21,2	20,2	8,5	7,5	8	17
KAP 7066 M 14x1,5 CON GUARNIZIONE / WITH GASKET	20,9	19,9	8,5	7,5	8	17
KAP 7066 M 14x1,5 - L CON GUARNIZIONE / WITH GASKET	20,9	19,9	11,5	9,5	7,4	17



KAP 7066 M 16x1,5 - A 20,8
CON GUARNIZIONE *WITH GASKET*

KAP 7066 M 16x1,5 - A 22,8
CON GUARNIZIONE *WITH GASKET*

KAP 7066 M 16x1,5 - A 32
CON GUARNIZIONE *WITH GASKET*

KAP 7066 M 16x2
CON GUARNIZIONE *WITH GASKET*

KAP 7066 M 18x1,5
CON GUARNIZIONE *WITH GASKET*

KAP 7066 M 18x1,5 - L
CON GUARNIZIONE *WITH GASKET*

KAP 7066 M 20x1,5
CON GUARNIZIONE *WITH GASKET*

KAP 7066 M 20x1,5 - L
CON GUARNIZIONE *WITH GASKET*

KAP 7066 M 20x2,5
CON GUARNIZIONE *WITH GASKET*

KAP 7066 M 22x1,5 - A 28,5
CON GUARNIZIONE *WITH GASKET*

KAP 7066 M 22x1,5 - A 32
CON GUARNIZIONE *WITH GASKET*

KAP 7066 M 24x1,5
CON GUARNIZIONE *WITH GASKET*

KAP 7066 M 25x1,5
CON GUARNIZIONE *WITH GASKET*

KAP 7066 M 26x1,5
CON GUARNIZIONE *WITH GASKET*

KAP 7066 M 27x2
CON GUARNIZIONE *WITH GASKET*

KAP 7066 M 30x2
CON GUARNIZIONE *WITH GASKET*

KAP 7066 M 33x2
CON GUARNIZIONE *WITH GASKET*

KAP 7066 M 42x2
CON GUARNIZIONE *WITH GASKET*

KAP 7066 M 48x2 - A 56,3
CON GUARNIZIONE *WITH GASKET*

KAP 7066 M 48x2 - A 60
CON GUARNIZIONE *WITH GASKET*

SOLUZIONI ALTERNATIVE / ALTERNATIVE SOLUTIONS



KAP 7000-M



KAP 7190-M



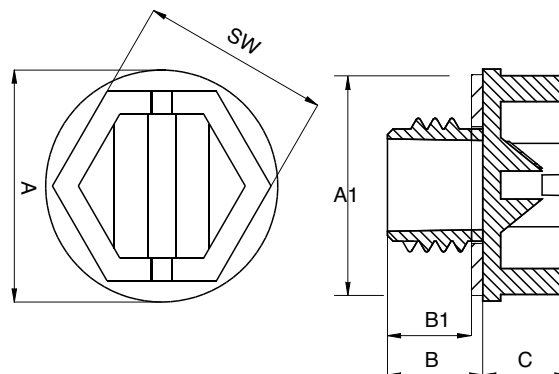
KAP 7066-UNF

TAPPO FILETTATO A TESTA ESAGONALE
CON GUARNIZIONE PER FILETTATURE UNF

THREADED PLUGS WITH HEXAGONAL
HEAD AND GASKET FOR UNF THREADS

Materiale / Material: PA 6.6 - TAPPO / PLUG
TPE - GUARNIZIONE / GASKET
Colore / Colour: verde / green - TAPPO / PLUG
naturale / natural - GUARNIZIONE / GASKET

Dimensioni / Dimensions: mm



RIFERIMENTO REFERENCE	A	A1	B	B1	C	SW
KAP 7066 7/16"-20 UNF - L CON GUARNIZIONE / WITH GASKET	21	20	11,5	9,5	7,6	17
KAP 7066 7/16"-20 UNF - A 21 CON GUARNIZIONE / WITH GASKET	21	20	8,5	7,5	8	17
KAP 7066 7/16"-20 UNF - A 24,8 CON GUARNIZIONE / WITH GASKET	24,8	23,8	8,5	7,5	8	17
KAP 7066 1/2"-20 UNF CON GUARNIZIONE / WITH GASKET	20,8	19,8	8,5	7,5	8	17
KAP 7066 9/16"-18 UNF CON GUARNIZIONE / WITH GASKET	21	20	8,5	6,5	7,5	17
KAP 7066 9/16"-18 UNF - L CON GUARNIZIONE / WITH GASKET	21	20	11,5	9,5	7,5	17
KAP 7066 5/8"-18 UNF CON GUARNIZIONE / WITH GASKET	20,9	19,9	8,5	7,5	8	17
KAP 7066 3/4"-16 UNF - A 28,7 CON GUARNIZIONE / WITH GASKET	28,7	27,7	10,6	8,6	7,6	22
KAP 7066 3/4"-16 UNF - A 32 CON GUARNIZIONE / WITH GASKET	32	31	10,6	9,6	8	22
KAP 7066 7/8"-14 UNF - A 28,7 CON GUARNIZIONE / WITH GASKET	28,7	28	12	10	7,6	22
KAP 7066 7/8"-14 UNF - A 32 CON GUARNIZIONE / WITH GASKET	32	31	12	10	7,6	22
KAP 7066 1-1/16"-12 UNF CON GUARNIZIONE / WITH GASKET	35	34	8,5	6,5	7,6	27
KAP 7066 1-1/16"-12 UNF - L CON GUARNIZIONE / WITH GASKET	35	34	11,7	9,7	7,6	27
KAP 7066 1-1/16"-12 UNF - A 38 CON GUARNIZIONE / WITH GASKET	38	37	17	16	8	27



	AB	A1		B1	C	SW
KAP 7066 1-3/16"-12 UNF CON GUARNIZIONE <i>WITH GASKET</i>	38,6	37,6	11,7	9,7	10	27
KAP 7066 1-3/16"-12 UNF \downarrow CON GUARNIZIONE <i>WITH GASKET</i>	38,6	36,6	20	18	11	27
KAP 7066 1-5/16"-12 UNF - A 44,5 CON GUARNIZIONE <i>WITH GASKET</i>	44,5	43,5	11,7	9,7	10	32
KAP 7066 1-7/16"-12 UNF CON GUARNIZIONE <i>WITH GASKET</i>	53,8	52,8	11,7	9,7	10	36
KAP 7066 1-5/8"-12 UNF CON GUARNIZIONE <i>WITH GASKET</i>	53,8	52,8	11,7	9,7	10	36
KAP 7066 1-7/8"-12 UNF CON GUARNIZIONE <i>WITH GASKET</i>	60	59	15	13	10	36
KAP 7066 1"-8 UNC CON GUARNIZIONE <i>WITH GASKET</i>	45,5	44,5	11,7	9,7	7,6	32

SOLUZIONI ALTERNATIVE / ALTERNATIVE SOLUTIONS



KAP 7000-UNF



KAP 7190-UNF





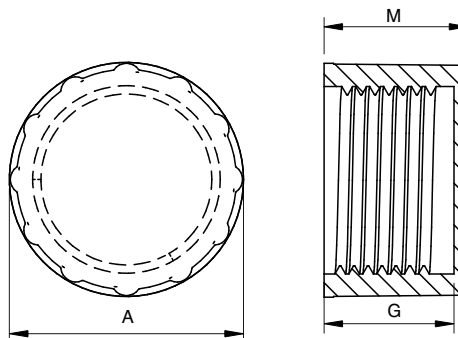


KAP 808-GAS

CAPPUCCIO FILETTATO CON NERVE POLIGONALI PER FILETTATURE GAS

THREADED CAPS WITH POLYGONAL RIBS FOR GAS THREADS

Materiale / Material: PA 6
 Colore / Colour: giallo / yellow
 Dimensioni / Dimensions: mm



RIFERIMENTO REFERENCE	-	A	G	M
KAP 808 R 1/8"	R 1/8"	14	7,5	9
KAP 808 R 1/4"	R 1/4"	18,2	11,8	13,5
KAP 808 R 3/8"	R 3/8"	21	12	13,5
KAP 808 R 1/2"	R 1/2"	25,2	14	15,5
KAP 808 R 5/8"	R 5/8"	28	13,5	15,5
KAP 808 R 3/4"	R 3/4"	33	13,5	16
KAP 808 R 1"	R 1"	39	14	16
KAP 808 R 1-1/4"	R 1-1/4"	50	17	19
KAP 808 R 1-1/2"	R 1-1/2"	56	17	19
KAP 808 R 2"	R 2"	68	18	20

SOLUZIONI ALTERNATIVE / ALTERNATIVE SOLUTIONS



KAP 818-GAS





KAP 808-M

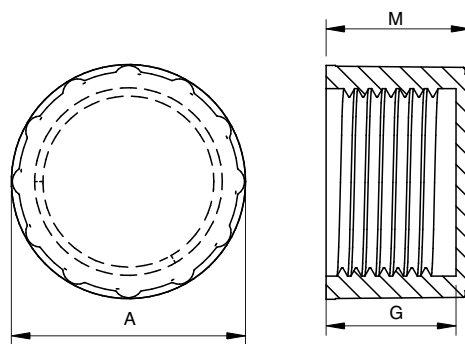
CAPPUCCIO FILETTATO CON NERVE
POLIGONALI PER FILETTATURE METRICHE

THREADED CAPS WITH
POLYGONAL RIBS FOR METRIC THREADS

Materiale / Material: PA 6

Colore / Colour: giallo / yellow

Dimensioni / Dimensions: mm



RIFERIMENTO REFERENCE	-	A	G	M
KAP 808 M 8 x 1,25	M 8 x 1,25	13	7	9
KAP 808 M 10 x 1	M 10 x 1	14	7,5	9
KAP 808 M 10 x 1,25	M 10 x 1,25	16	11,5	13,5
KAP 808 M 12 x 1	M 12 x 1	16	11,5	13,5
KAP 808 M 12 x 1 - H	M 12 x 1	16	14,3	16
KAP 808 M 12 x 1,5	M 12 x 1,5	16	11,5	13,5
KAP 808 M 14 x 1,5	M 14 x 1,5	18,2	11,5	13,5
KAP 808 M 15 x 1,25	M 15 x 1,25	18,7	11,5	13,5
KAP 808 M 16 x 1,5	M 16 x 1,5	22	11,5	13,5
KAP 808 M 18 x 1,5	M 18 x 1,5	22	12	13,5
KAP 808 M 20 x 1,5	M 20 x 1,5	25,8	14	16
KAP 808 M 20 x 2	M 20 x 2	25,8	14	16
KAP 808 M 21 x 1	M 21 x 1	28	19,8	21,3
KAP 808 M 22 x 1,5	M 22 x 1,5	28	14	16
KAP 808 M 24 x 1,5	M 24 x 1,5	33	14	16
KAP 808 M 24 x 3	M 24 x 3	33	14	16
KAP 808 M 24 x 3,5	M 24 x 3,5	33	14	16
KAP 808 M 25 x 1,5	M 25 x 1,5	33	14	16



	A		GM	
KAP 808 M 26 x 1,5	M 26 x 15	33	13,5	16
KAP 808 M 27 x 1,5	M 27 x 15	33	14,3	16
KAP 808 M 27 x 2	M 27 x 2	33	13,5	16
KAP 808 M 28 x 1,5	M 28 x 15	33	14	16
KAP 808 M 28 x 2	M 28 x 2	33	14	16
KAP 808 M 30 x 1,5	M 30 x 15	38	14	16
KAP 808 M 30 x 2	M 30 x 2	38	14	16
KAP 808 M 32 x 2	M 32 x 2	39	14	16
KAP 808 M 35 x 1,5	M 35 x 15	44	15,5	19
KAP 808 M 36 x 1,5	M 36 x 15	44	16	19
KAP 808 M 36 x 2	M 36 x 2	44	16	19
KAP 808 M 38 x 1,5	M 38 x 15	44	16	19
KAP 808 M 40 x 2,5	M 40 x 25	46	17	19
KAP 808 M 42 x 2	M 42 x 2	50	17	19

SOLUZIONI ALTERNATIVE / ALTERNATIVE SOLUTIONS



KAP 818-M



KAP 808-UNF

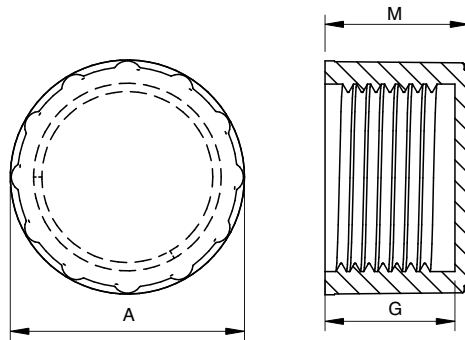
CAPPUCCIO FILETTATO CON NERVE
POLIGONALI PER FILETTATURE UNF

THREADED CAPS WITH
POLYGONAL RIBS FOR UNF THREADS

Materiale / Material: PA 6

Colore / Colour: giallo / yellow

Dimensioni / Dimensions: mm



RIFERIMENTO REFERENCE	-	A	G	M
KAP 808 7/16" - 20 UNF	7/16" - 20 UNF	15	12	13,5
KAP 808 1/2" - 20 UNF	1/2" - 20 UNF	18	15	16,5
KAP 808 9/16" - 18 UNF	9/16" - 18 UNF	18	12	13,5
KAP 808 9/16" - 24 UNF	9/16" - 24 UNF	18	12	13,5
KAP 808 5/8" - 18 UNF	5/8" - 18 UNF	21	12	13,5
KAP 808 3/4" - 16 UNF	3/4" - 16 UNF	24	16,5	18
KAP 808 3/4" - 16 UNF - L	3/4" - 16 UNF	24	19,3	21,3
KAP 808 11/16" - 16 UNF	11/16" - 16 UNF	23	10	11,5
KAP 808 11/16" - 16 UNF - L	11/16" - 16 UNF	23	12	13,5
KAP 808 13/16" - 16 UNF	13/16" - 16 UNF	26	11	12,5
KAP 808 13/16" - 16 UNF - L	13/16" - 16 UNF	26	13	14,5
KAP 808 7/8" - 14 UNF	7/8" - 14 UNF	28	19,8	21,8
KAP 808 1" - 14 UNF	1" - 14 UNF	33	14	16
KAP 808 1-1/16" - 12 UNF	1-1/16" - 12 UNF	33	14	16
KAP 808 1-1/16" - 12 UNF - L	1-1/16" - 12 UNF	35	22,8	25
KAP 808 1-3/16" - 12 UNF	1-3/16" - 12 UNF	39	14	16



	A	GM		
KAP 808 1-1/4" - 12 UNF	1-1/4" - 12 UNF	39	14	16
KAP 808 1-5/16" - 12 UNF	1-5/16" - 12 UNF	39	14	16
KAP 808 1-7/16" - 12 UNF	1-7/16" - 12 UNF	44	17	19
KAP 808 1-5/8" - 12 UNF	1-5/8" - 12 UNF	50	17	19
KAP 808 1-7/8" - 12 UNF	1-7/8" - 12 UNF	50	17	19
KAP 808 1-11/16" - 12 UNF	1-11/16" - 12 UNF	50	17	19

SOLUZIONI ALTERNATIVE / ALTERNATIVE SOLUTIONS



KAP 818-UN F





KAP 809-GAS

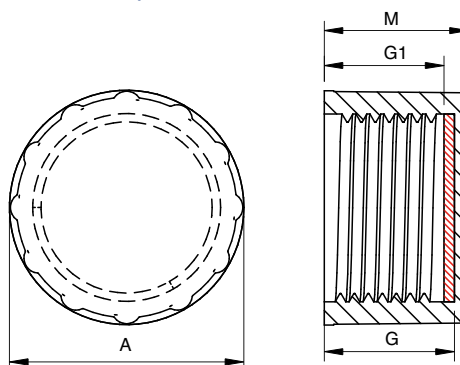
CAPPUCCIO FILETTATO A TENUTA CON NERVE POLIGONALI E GUARNIZIONE PIANA PER FILETTATURE GAS

THREADED CAPS WITH POLYGONAL RIBS AND FLAT GASKET FOR GAS THREADS

Materiale / Material: PA 6 - CAPPUCCIO / CAP
TPE - GUARNIZIONE / GASKET

Colore / Colour: giallo / yellow - CAPPUCCIO / CAP
nero / black - GUARNIZIONE / GASKET

Dimensioni / Dimensions: mm



RIFERIMENTO REFERENCE	-	A	G	G1	M
KAP 809 R 1/8" CON GUARNIZIONE / WITH GASKET	R 1/8"	14	7,5	5,5	9
KAP 809 R 1/4" CON GUARNIZIONE / WITH GASKET	R 1/4"	18,2	11,8	9,8	13,5
KAP 809 R 3/8" CON GUARNIZIONE / WITH GASKET	R 3/8"	21	12	10	13,5
KAP 809 R 1/2" CON GUARNIZIONE / WITH GASKET	R 1/2"	25,2	14	12	15,5
KAP 809 R 5/8" CON GUARNIZIONE / WITH GASKET	R 5/8"	28	13,5	11,5	15,5
KAP 809 R 3/4" CON GUARNIZIONE / WITH GASKET	R 3/4"	33	13,5	11,5	16
KAP 809 R 1" CON GUARNIZIONE / WITH GASKET	R 1"	39	14	12	16
KAP 809 R 1-1/4" CON GUARNIZIONE / WITH GASKET	R 1-1/4"	50	17	15	19
KAP 809 R 1-1/2" CON GUARNIZIONE / WITH GASKET	R 1-1/2"	56	17	15	19
KAP 809 R 2" CON GUARNIZIONE / WITH GASKET	R 2"	68	18	16	20

SOLUZIONI ALTERNATIVE / ALTERNATIVE SOLUTIONS



KAP 819-GAS



KAP 809-M

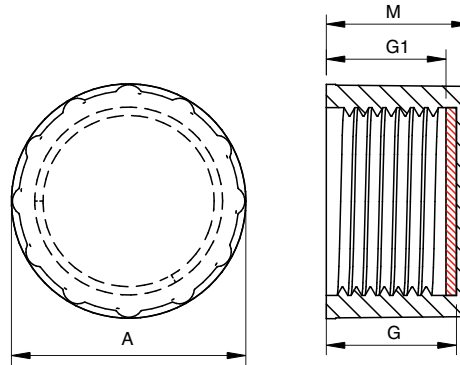
CAPPUCCIO FILETTATO A TENUTA CON NERVE POLIGONALI E GUARNIZIONE PIANA PER FILETTATURE METRICHE

THREADED CAPS WITH POLYGONAL RIBS AND FLAT GASKET FOR METRIC THREADS

Materiale / Material: PA 6 - CAPPUCCIO / CAP
TPE - GUARNIZIONE / GASKET

Colore / Colour: giallo / yellow - CAPPUCCIO / CAP
nero / black - GUARNIZIONE / GASKET

Dimensioni / Dimensions: mm



RIFERIMENTO REFERENCE	-	A	G	G1	M
KAP 809 M 8x1,25 CON GUARNIZIONE / WITH GASKET	M 8x1,25	13	7,5	5,5	9
KAP 809 M 10x1 CON GUARNIZIONE / WITH GASKET	M 10x1	14	7,5	5,5	9
KAP 809 M 10x1,25 CON GUARNIZIONE / WITH GASKET	M 10x1,25	16	11,5	9,5	13,5
KAP 809 M 12x1 CON GUARNIZIONE / WITH GASKET	M 12x1	16	11,5	9,5	13,5
KAP 809 M 12x1 - H CON GUARNIZIONE / WITH GASKET	M 12x1	16	14,3	12,3	16
KAP 809 M 12x1,5 CON GUARNIZIONE / WITH GASKET	M 12x1,5	16	11,5	9,5	13,5
KAP 809 M 14x1,5 CON GUARNIZIONE / WITH GASKET	M 14x1,5	18,2	11,5	9,5	13,5
KAP 809 M 15x1,25 CON GUARNIZIONE / WITH GASKET	M 15x1,25	18,7	11,5	9,5	13,5
KAP 809 M 16x1,5 CON GUARNIZIONE / WITH GASKET	M 16x1,5	22	11,5	9,5	13,5
KAP 809 M 18x1,5 CON GUARNIZIONE / WITH GASKET	M 18x1,5	22	12	10	13,5
KAP 809 M 20x1,5 CON GUARNIZIONE / WITH GASKET	M 20x1,5	25,2	14	12	16
KAP 809 M 20x2 CON GUARNIZIONE / WITH GASKET	M 20x2	25,2	14	12	16
KAP 809 M 21x1 CON GUARNIZIONE / WITH GASKET	M 21x1	28	19,8	17,8	21,3
KAP 809 M 22x1,5 CON GUARNIZIONE / WITH GASKET	M 22x1,5	28	14	12	16



	A		G	G1	M
KAP 809 M 24x1,5 CON GUARNIZIONE <i>WITH GASKET</i>	M 24x1,5	33	14	12	16
KAP 809 M 24x3 CON GUARNIZIONE <i>WITH GASKET</i>	M 24x3	33	14	12	16
KAP 809 M 24x3,5 CON GUARNIZIONE <i>WITH GASKET</i>	M 24x3,5	33	14	12	16
KAP 809 M 25x1,5 CON GUARNIZIONE <i>WITH GASKET</i>	M 25x1,5	33	14	12	16
KAP 809 M 26x1,5 CON GUARNIZIONE <i>WITH GASKET</i>	M 26x1,5	33	13,5	11,5	16
KAP 809 M 27x1,5 CON GUARNIZIONE <i>WITH GASKET</i>	M 27x1,5	33	14,3	12,3	16
KAP 809 M 27x2 CON GUARNIZIONE <i>WITH GASKET</i>	M 27x2	33	13,5	11,5	16
KAP 809 M 28x1,5 CON GUARNIZIONE <i>WITH GASKET</i>	M 28x1,5	33	14	12	16
KAP 809 M 28x2 CON GUARNIZIONE <i>WITH GASKET</i>	M 28x2	33	14	12	16
KAP 809 M 30x1,5 CON GUARNIZIONE <i>WITH GASKET</i>	M 30x1,5	38	14	12	16
KAP 809 M 30x2 CON GUARNIZIONE <i>WITH GASKET</i>	M 30x2	38	14	12	16
KAP 809 M 32x2 CON GUARNIZIONE <i>WITH GASKET</i>	M 32x2	39	14	12	16
KAP 809 M 35x1,5 CON GUARNIZIONE <i>WITH GASKET</i>	M 35x1,5	44	15,5	13,5	19
KAP 809 M 36x1,5 CON GUARNIZIONE <i>WITH GASKET</i>	M 36x1,5	44	16	14	19
KAP 809 M 36x2 CON GUARNIZIONE <i>WITH GASKET</i>	M 36x2	44	16	14	19
KAP 809 M 38x1,5 CON GUARNIZIONE <i>WITH GASKET</i>	M 38x1,5	44	16	14	19
KAP 809 M 40x2,5 CON GUARNIZIONE <i>WITH GASKET</i>	M 40x2,5	46	17	15	19
KAP 809 M 42x2 CON GUARNIZIONE <i>WITH GASKET</i>	M 42x2	50	17	15	19

SOLUZIONI ALTERNATIVE / ALTERNATIVE SOLUTIONS



KAP 819-M



KAP 809-UNF

CAPPUCCIO FILETTATO A TENUTA CON NERVE POLIGONALI E GUARNIZIONE PIANA PER FILETTATURE UNF
 THREADED CAPS WITH POLYGONAL RIBS AND FLAT GASKET FOR UNF THREADS

Materiale / Material: PA 6 - CAPPUCCIO / CAP

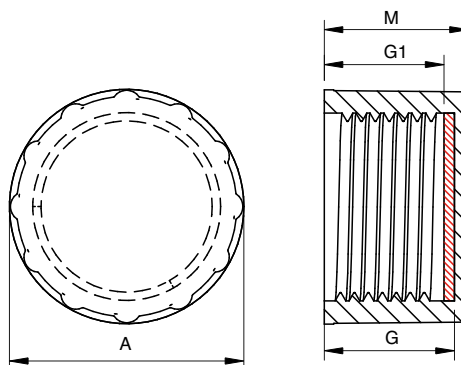
TPE - GUARNIZIONE / GASKET

Colore / Colour:

giallo / yellow - CAPPUCCIO / CAP

nero / black - GUARNIZIONE / GASKET

Dimensioni / Dimensions: mm



RIFERIMENTO REFERENCE	-	A	G	G1	M
KAP 809 7/16"-20 UNF CON GUARNIZIONE / WITH GASKET	7/16"-20 UNF	15	12	10	13,5
KAP 809 1/2"-20 UNF CON GUARNIZIONE / WITH GASKET	1/2"-20 UNF	18	15	13	16,5
KAP 809 9/16"-18 UNF CON GUARNIZIONE / WITH GASKET	9/16"-18 UNF	18	12	10	13,5
KAP 809 9/16"-24 UNF CON GUARNIZIONE / WITH GASKET	9/16"-24 UNF	18	12	10	13,5
KAP 809 5/8"-18 UNF CON GUARNIZIONE / WITH GASKET	5/8"-18 UNF	21	12	10	13,5
KAP 809 3/4"-16 UNF CON GUARNIZIONE / WITH GASKET	3/4"-16 UNF	24	16,5	14,5	18
KAP 809 3/4"-16 UNF - L CON GUARNIZIONE / WITH GASKET	3/4"-16 UNF	24	19,3	17,3	21,3
KAP 809 11/16"-16 UNF CON GUARNIZIONE / WITH GASKET	11/16"-16 UNF	23	10	8	11,5
KAP 809 11/16"-16 UNF - L CON GUARNIZIONE / WITH GASKET	11/16"-16 UNF	23	12	10	13,5
KAP 809 13/16"-16 UNF CON GUARNIZIONE / WITH GASKET	13/16"-16 UNF	26	11	9	12,5
KAP 809 13/16"-16 UNF - L CON GUARNIZIONE / WITH GASKET	13/16"-16 UNF	26	13	11	14,5
KAP 809 7/8"-14 UNF CON GUARNIZIONE / WITH GASKET	7/8"-14 UNF	28	19,8	17,8	21,8
KAP 809 1" -14 UNF CON GUARNIZIONE / WITH GASKET	1"-14 UNF	33	14	12	16
KAP 809 1-1/16"-12 UNF CON GUARNIZIONE / WITH GASKET	1-1/16"-12 UNF	33	14	12	16



	A		G	G1	M
KAP 809 1-1/16"-12 UNF - L CON GUARNIZIONE <i>WITH GASKET</i>	1-1/16"-12 UNF	35	22,8	20,8	25
KAP 809 1-3/16"-12 UNF CON GUARNIZIONE <i>WITH GASKET</i>	1-3/16"-12 UNF	39	14	12	16
KAP 809 1-1/4"-12 UNF CON GUARNIZIONE <i>WITH GASKET</i>	1-1/4"-12 UNF	39	14	12	16
KAP 809 1-5/16"-12 UNF CON GUARNIZIONE <i>WITH GASKET</i>	1-5/16"-12 UNF	39	14	12	16
KAP 809 1-7/16"-12 UNF CON GUARNIZIONE <i>WITH GASKET</i>	1-7/16"-12 UNF	44	17	15	19
KAP 809 1-5/8"-12 UNF CON GUARNIZIONE <i>WITH GASKET</i>	1-5/8"-12 UNF	50	17	15	19
KAP 809 1-7/8"-12 UNF CON GUARNIZIONE <i>WITH GASKET</i>	1-7/8"-12 UNF	50	17	15	19
KAP 809 1-11/16"-12 UNF CON GUARNIZIONE <i>WITH GASKET</i>	1-11/16"-12 UNF	50	17	15	19

SOLUZIONI ALTERNATIVE / ALTERNATIVE SOLUTIONS



KAP 819-UN F



KAP 818-GAS

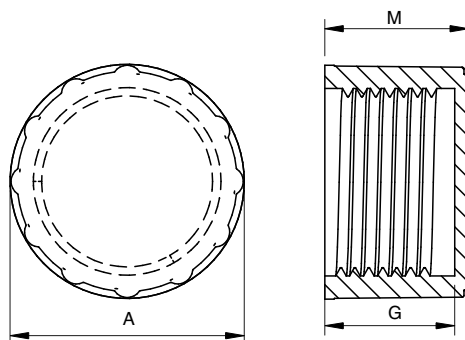
CAPPUCCIO FILETTATO RINFORZATO CON NERVE POLIGONALI PER FILETTATURE GAS

REINFORCED THREADED CAPS, WITH POLYGONAL RIBS FOR GAS THREADS

Materiale / Material: PA 6 + FV 50%

Colore / Colour: nero / black

Dimensioni / Dimensions: mm



RIFERIMENTO REFERENCE	MATERIALE / COLORE MATERIAL / COLOUR	□	A	G	M
KAP 818 R 1/8"	PA 6 + FV 50% NERO / BLACK	R 1/8"	14	7,5	9
KAP 818 R 1/4"	PA 6 + FV 50% NERO / BLACK	R 1/4"	18,2	11,8	13,5
KAP 818 R 3/8"	PA 6 + FV 50% NERO / BLACK	R 3/8"	21	12	13,5
KAP 818 R 1/2"	PA 6 + FV 50% NERO / BLACK	R 1/2"	25,2	14	15,5
KAP 818 R 5/8"	PA 6 + FV 50% NERO / BLACK	R 5/8"	28	13,5	15,5
KAP 818 R 3/4"	PA 6 + FV 50% NERO / BLACK	R 3/4"	33	13,5	16
KAP 818 R 1"	PA 6 + FV 50% NERO / BLACK	R 1"	39	14	16
KAP 818 R 1-1/4"	PA 6 + FV 50% NERO / BLACK	R 1-1/4"	50	17	19
KAP 818 R 1-1/2"	PA 6 + FV 50% NERO / BLACK	R 1-1/2"	56	17	19
KAP 818 R 2"	PA 6 + FV 50% NERO / BLACK	R 2"	68	18	20

SOLUZIONI ALTERNATIVE / ALTERNATIVE SOLUTIONS



KAP 808-GAS



POLYKAP

www.polykap.com



POLYKAP

POLYKAP
IMBOTTIGLIONE TAPPI E CAPPELLI IN PLASTICA PER L'INDUSTRIA

STONE LINE SRL
Consegnare a
VIA DELL'...

POLYKAP S.R.L.



KAP 818-M

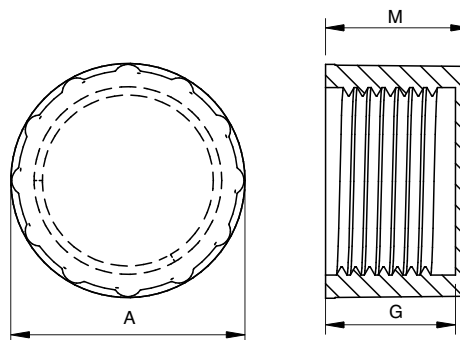
CAPPUCCIO FILETTATO RINFORZATO CON NERVE POLIGONALI PER FILETTATURE METRICHE

REINFORCED THREADED CAPS, WITH POLYGONAL RIBS FOR METRIC THREADS

Materiale / Material: PA 6 + FV 50%

Colore / Colour: nero / black

Dimensioni / Dimensions: mm



RIFERIMENTO REFERENCE	MATERIALE / COLORE MATERIAL / COLOUR	-	A	G	M
KAP 818 M 8 x 1,25	PA 6 + FV 50% NERO / BLACK	M 8 x 1,25	13	7,5	9
KAP 818 M 10 x 1	PA 6 + FV 50% NERO / BLACK	M 10 x 1	14	7,5	9
KAP 818 M 10 x 1,25	PA 6 + FV 50% NERO / BLACK	M 10 x 1,25	16	11,5	13,5
KAP 818 M 12 x 1	PA 6 + FV 50% NERO / BLACK	M 12 x 1	16	11,5	13,5
KAP 818 M 12 x 1 - H	PA 6 + FV 50% NERO / BLACK	M 12 x 1	16	14,3	16
KAP 818 M 12 x 1,5	PA 6 + FV 50% NERO / BLACK	M 12 x 1,5	16	11,5	13,5
KAP 818 M 14 x 1,5	PA 6 + FV 50% NERO / BLACK	M 14 x 1,5	18,2	11,5	13,5
KAP 818 M 15 x 1,25	PA 6 + FV 50% NERO / BLACK	M 15 x 1,25	18,7	11,5	13,5
KAP 818 M 16 x 1,5	PA 6 + FV 50% NERO / BLACK	M 16 x 1,5	22	11,5	13,5
KAP 818 M 18 x 1,5	PA 6 + FV 50% NERO / BLACK	M 18 x 1,5	22	12	13,5
KAP 818 M 20 x 1,5	PA 6 + FV 50% NERO / BLACK	M 20 x 1,5	25,8	14	16
KAP 818 M 20 x 2	PA 6 + FV 50% NERO / BLACK	M 20 x 2	25,8	14	16
KAP 818 M 21 x 1	PA 6 + FV 50% NERO / BLACK	M 21 x 1	28	19,8	21,3
KAP 818 M 22 x 1,5	PA 6 + FV 50% NERO / BLACK	M 22 x 1,5	28	14	16
KAP 818 M 24 x 1,5	PA 6 + FV 50% NERO / BLACK	M 24 x 1,5	33	14	16



		A		GM	
KAP 818 M 24 x 3	PA 6 + FV 50% NERO / BLACK	M 24 x3	33	14	16
KAP 818 M 24 x 3,5	PA 6 + FV 50% NERO / BLACK	M 24 x 35	33	14	16
KAP 818 M 25 x 1,5	PA 6 + FV 50% NERO / BLACK	M 25 x 15	33	14	16
KAP 818 M 26 x 1,5	PA 6 + FV 50% NERO / BLACK	M 26 x 15	33	13,5	16
KAP 818 M 27 x 1,5	PA 6 + FV 50% NERO / BLACK	M 27 x 15	33	14,3	16
KAP 818 M 27 x 2	PA 6 + FV 50% NERO / BLACK	M 27 x2	33	13,5	16
KAP 818 M 28 x 1,5	PA 6 + FV 50% NERO / BLACK	M 28 x 15	33	14	16
KAP 818 M 28 x 2	PA 6 + FV 50% NERO / BLACK	M 28 x2	33	14	16
KAP 818 M 30 x 1,5	PA 6 + FV 50% NERO / BLACK	M 30 x 15	38	14	16
KAP 818 M 30 x 2	PA 6 + FV 50% NERO / BLACK	M 30 x2	38	14	16
KAP 818 M 32 x 2	PA 6 + FV 50% NERO / BLACK	M 32 x2	39	14	16
KAP 818 M 35 x 1,5	PA 6 + FV 50% NERO / BLACK	M 35 x 15	44	15,5	19
KAP 818 M 36 x 1,5	PA 6 + FV 50% NERO / BLACK	M 36 x 15	44	16	19
KAP 818 M 36 x 2	PA 6 + FV 50% NERO / BLACK	M 36 x2	44	16	19
KAP 818 M 38 x 1,5	PA 6 + FV 50% NERO / BLACK	M 38 x 15	44	16	19
KAP 818 M 40 x 2,5	PA 6 + FV 50% NERO / BLACK	M 40 x 25	46	17	19
KAP 818 M 42 x 2	PA 6 + FV 50% NERO / BLACK	M 42 x2	50	17	19

SOLUZIONI ALTERNATIVE / ALTERNATIVE SOLUTIONS



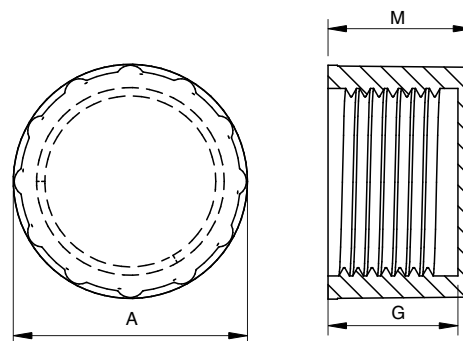
KAP 808-M



KAP 818-UNF

CAPPUCCIO FILETTATO RINFORZATO CON NERVE POLIGONALI PER FILETTATURE UNF
 REINFORCED THREADED CAPS, WITH POLYGONAL RIBS FOR UNF THREADS

Materiale / Material: PA 6 + FV 50%
 Colore / Colour: nero / black
 Dimensioni / Dimensions: mm



RIFERIMENTO REFERENCE	MATERIALE / COLORE MATERIAL / COLOUR	-	A	G	M
KAP 818 7/16" - 20 UNF	PA 6 + FV 50% NERO / BLACK	7/16" - 20 UNF	15	12	13,5
KAP 818 1/2" - 20 UNF	PA 6 + FV 50% NERO / BLACK	1/2" - 20 UNF	18	15	16,5
KAP 818 9/16" - 18 UNF	PA 6 + FV 50% NERO / BLACK	9/16" - 18 UNF	18	12	13,5
KAP 818 9/16" - 24 UNF	PA 6 + FV 50% NERO / BLACK	9/16" - 24 UNF	18	12	13,5
KAP 818 5/8" - 18 UNF	PA 6 + FV 50% NERO / BLACK	5/8" - 18 UNF	21	12	13,5
KAP 818 3/4" - 16 UNF	PA 6 + FV 50% NERO / BLACK	3/4" - 16 UNF	24	16,5	18
KAP 818 3/4" - 16 UNF - L	PA 6 + FV 50% NERO / BLACK	3/4" - 16 UNF	24	19,3	21,3
KAP 818 11/16" - 16 UNF	PA 6 + FV 50% NERO / BLACK	11/16" - 16 UNF	23	10	11,5
KAP 818 11/16" - 16 UNF - L	PA 6 + FV 50% NERO / BLACK	11/16" - 16 UNF	23	12	13,5
KAP 818 13/16" - 16 UNF	PA 6 + FV 50% NERO / BLACK	13/16" - 16 UNF	26	11	12,5
KAP 818 13/16" - 16 UNF - L	PA 6 + FV 50% NERO / BLACK	13/16" - 16 UNF	26	13	14,5
KAP 818 7/8" - 14 UNF	PA 6 + FV 50% NERO / BLACK	7/8" - 14 UNF	28	19,8	21,8
KAP 818 1" - 14 UNF	PA 6 + FV 50% NERO / BLACK	1" - 14 UNF	33	14	16
KAP 818 1-1/16" - 12 UNF	PA 6 + FV 50% NERO / BLACK	1-1/16" - 12 UNF	33	14	16



		-	AG	M
KAP 818 1-1/16" - 12 UNF - L	PA 6 + FV 50% NERO / BLACK	1-1/16" - 12 UNF	35	22,8 25
KAP 818 1-3/16" - 12 UNF	PA 6 + FV 50% NERO / BLACK	1-3/16" - 12 UNF	39	14 16
KAP 818 1-1/4" - 12 UNF	PA 6 + FV 50% NERO / BLACK	1-1/4" - 12 UNF	39	14 16
KAP 818 1-5/16" - 12 UNF	PA 6 + FV 50% NERO / BLACK	1-5/16" - 12 UNF	39	14 16
KAP 818 1-7/16" - 12 UNF	PA 6 + FV 50% NERO / BLACK	1-7/16" - 12 UNF	44	17 19
KAP 818 1-5/8" - 12 UNF	PA 6 + FV 50% NERO / BLACK	1-5/8" - 12 UNF	50	17 19
KAP 818 1-7/8" - 12 UNF	PA 6 + FV 50% NERO / BLACK	1-7/8" - 12 UNF	50	17 19
KAP 818 1-11/16" - 12 UNF	PA 6 + FV 50% NERO / BLACK	1-11/16" - 12 UNF	50	17 19

SOLUZIONI ALTERNATIVE / ALTERNATIVE SOLUTIONS



KAP 808-UN F



KAP 819-GAS

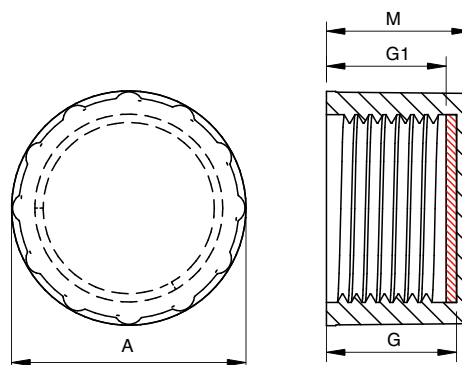
CAPPUCCIO FILETTATO RINFORZATO A TENUTA CON NERVE POLIGONALI E GUARNIZIONE PIANA PER FILETTATURE GAS

REINFORCED THREADED CAPS, WITH POLYGONAL RIBS AND FLAT GASKET FOR GAS THREADS

Materiale / Material: PA 6 + FV 50% - CAPPUCCIO / CAP
TPE - GUARNIZIONE / GASKET

Colore / Colour: nero / black - CAPPUCCIO / CAP
naturale / natural - GUARNIZIONE / GASKET

Dimensioni / Dimensions: mm



RIFERIMENTO REFERENCE	MATERIALE / COLORE MATERIAL / COLOUR	-	A	G	G1	M
KAP 819 R 1/8" CON GUARNIZIONE / WITH GASKET	PA 6 + FV 50% NERO / BLACK	R 1/8"	14	7,5	5,5	9
KAP 819 R 1/4" CON GUARNIZIONE / WITH GASKET	PA 6 + FV 50% NERO / BLACK	R 1/4"	18,2	11,8	9,8	13,5
KAP 819 R 3/8" CON GUARNIZIONE / WITH GASKET	PA 6 + FV 50% NERO / BLACK	R 3/8"	21	12	10	13,5
KAP 819 R 1/2" CON GUARNIZIONE / WITH GASKET	PA 6 + FV 50% NERO / BLACK	R 1/2"	25,2	14	12	15,5
KAP 819 R 5/8" CON GUARNIZIONE / WITH GASKET	PA 6 + FV 50% NERO / BLACK	R 5/8"	28	13,5	11,5	15,5
KAP 819 R 3/4" CON GUARNIZIONE / WITH GASKET	PA 6 + FV 50% NERO / BLACK	R 3/4"	33	13,5	11,5	16
KAP 819 R 1" CON GUARNIZIONE / WITH GASKET	PA 6 + FV 50% NERO / BLACK	R 1"	39	14	12	16
KAP 819 R 1-1/4" CON GUARNIZIONE / WITH GASKET	PA 6 + FV 50% NERO / BLACK	R 1-1/4"	50	17	15	19
KAP 819 R 1-1/2" CON GUARNIZIONE / WITH GASKET	PA 6 + FV 50% NERO / BLACK	R 1-1/2"	56	17	15	19
KAP 819 R 2" CON GUARNIZIONE / WITH GASKET	PA 6 + FV 50% NERO / BLACK	R 2"	68	18	16	20

SOLUZIONI ALTERNATIVE / ALTERNATIVE SOLUTIONS



KAP 809-GAS





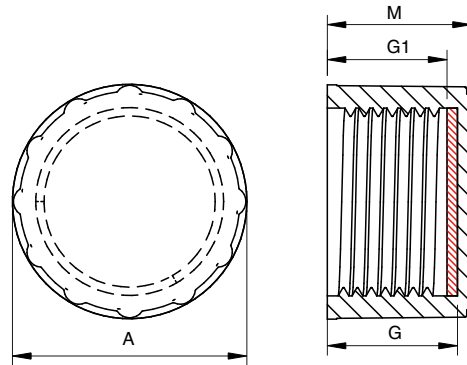
KAP 819-M

CAPPUCCIO FILETTATO RINFORZATO A TENUTA CON NERVE POLIGONALI E GUARNIZIONE PIANA PER FILETTATURE METRICHE
 REINFORCED THREADED CAPS,
 WITH POLYGONAL RIBS AND FLAT GASKET FOR METRIC THREADS

Materiale / Material: PA 6 + FV 50% - CAPPUCCIO / CAP
 TPE - GUARNIZIONE / GASKET

Colore / Colour: nero / black - CAPPUCCIO / CAP
 naturale / natural - GUARNIZIONE / GASKET

Dimensioni / Dimensions: mm



RIFERIMENTO REFERENCE	MATERIALE / COLORE MATERIAL / COLOUR	-	A	G	G1	M
KAP 819 M 8x1,25 CON GUARNIZIONE / WITH GASKET	PA 6 + FV 50% NERO / BLACK	M 8x1,25	13	7,5	5,5	9
KAP 819 M 10x1 CON GUARNIZIONE / WITH GASKET	PA 6 + FV 50% NERO / BLACK	M 10x1	14	7,5	5,5	9
KAP 819 M 10x1,25 CON GUARNIZIONE / WITH GASKET	PA 6 + FV 50% NERO / BLACK	M 10x1,25	16	11,5	9,5	13,5
KAP 819 M 12x1 CON GUARNIZIONE / WITH GASKET	PA 6 + FV 50% NERO / BLACK	M 12x1	16	11,5	9,5	13,5
KAP 819 M 12x1 - H CON GUARNIZIONE / WITH GASKET	PA 6 + FV 50% NERO / BLACK	M 12x1	16	14,3	12,3	16
KAP 819 M 12x1,5 CON GUARNIZIONE / WITH GASKET	PA 6 + FV 50% NERO / BLACK	M 12x1,5	16	11,5	9,5	13,5
KAP 819 M 14x1,5 CON GUARNIZIONE / WITH GASKET	PA 6 + FV 50% NERO / BLACK	M 14x1,5	18,2	11,5	9,5	13,5
KAP 819 M 15x1,25 CON GUARNIZIONE / WITH GASKET	PA 6 + FV 50% NERO / BLACK	M 15x1,25	18,7	11,5	9,5	13,5
KAP 819 M 16x1,5 CON GUARNIZIONE / WITH GASKET	PA 6 + FV 50% NERO / BLACK	M 16x1,5	22	11,5	9,5	13,5
KAP 819 M 18x1,5 CON GUARNIZIONE / WITH GASKET	PA 6 + FV 50% NERO / BLACK	M 18x1,5	22	12	10	13,5
KAP 819 M 20x1,5 CON GUARNIZIONE / WITH GASKET	PA 6 + FV 50% NERO / BLACK	M 20x1,5	25,8	14	12	16
KAP 819 M 20x2 CON GUARNIZIONE / WITH GASKET	PA 6 + FV 50% NERO / BLACK	M 20x2	25,8	14	12	16
KAP 819 M 21x1 CON GUARNIZIONE / WITH GASKET	PA 6 + FV 50% NERO / BLACK	M 21x1	28	19,8	17,8	21,3
KAP 819 M 22x1,5 CON GUARNIZIONE / WITH GASKET	PA 6 + FV 50% NERO / BLACK	M 22x1,5	28	14	12	16



		A	G	G1	M	
KAP 819 M 24x1,5 CON GUARNIZIONE / WITH GASKET	PA 6 + FV 50% NERO / BLACK	M 24x1,5	33	14	12	16
KAP 819 M 24x3 CON GUARNIZIONE / WITH GASKET	PA 6 + FV 50% NERO / BLACK	M 24x3	33	14	12	16
KAP 819 M 24x3,5 CON GUARNIZIONE / WITH GASKET	PA 6 + FV 50% NERO / BLACK	M 24x3,5	33	14	12	16
KAP 819 M 25x1,5 CON GUARNIZIONE / WITH GASKET	PA 6 + FV 50% NERO / BLACK	M 25x1,5	33	14	12	16
KAP 819 M 26x1,5 CON GUARNIZIONE / WITH GASKET	PA 6 + FV 50% NERO / BLACK	M 26x1,5	33	13,5	11,5	16
KAP 819 M 27x1,5 CON GUARNIZIONE / WITH GASKET	PA 6 + FV 50% NERO / BLACK	M 27x1,5	33	14,3	12,3	16
KAP 819 M 27x2 CON GUARNIZIONE / WITH GASKET	PA 6 + FV 50% NERO / BLACK	M 27x2	33	13,5	11,5	16
KAP 819 M 28x1,5 CON GUARNIZIONE / WITH GASKET	PA 6 + FV 50% NERO / BLACK	M 28x1,5	33	14	12	16
KAP 819 M 28x2 CON GUARNIZIONE / WITH GASKET	PA 6 + FV 50% NERO / BLACK	M 28x2	33	14	12	16
KAP 819 M 30x1,5 CON GUARNIZIONE / WITH GASKET	PA 6 + FV 50% NERO / BLACK	M 30x1,5	38	14	12	16
KAP 819 M 30x2 CON GUARNIZIONE / WITH GASKET	PA 6 + FV 50% NERO / BLACK	M 30x2	38	14	12	16
KAP 819 M 32x2 CON GUARNIZIONE / WITH GASKET	PA 6 + FV 50% NERO / BLACK	M 32x2	39	14	12	16
KAP 819 M 35x1,5 CON GUARNIZIONE / WITH GASKET	PA 6 + FV 50% NERO / BLACK	M 35x1,5	44	15,5	13,5	19
KAP 819 M 36x1,5 CON GUARNIZIONE / WITH GASKET	PA 6 + FV 50% NERO / BLACK	M 36x1,5	44	16	14	19
KAP 819 M 36x2 CON GUARNIZIONE / WITH GASKET	PA 6 + FV 50% NERO / BLACK	M 36x2	44	16	14	19
KAP 819 M 38x1,5 CON GUARNIZIONE / WITH GASKET	PA 6 + FV 50% NERO / BLACK	M 38x1,5	44	16	14	19
KAP 819 M 40x2,5 CON GUARNIZIONE / WITH GASKET	PA 6 + FV 50% NERO / BLACK	M 40x2,5	46	17	15	19
KAP 819 M 42x2 CON GUARNIZIONE / WITH GASKET	PA 6 + FV 50% NERO / BLACK	M 42x2	50	17	15	19

SOLUZIONI ALTERNATIVE / ALTERNATIVE SOLUTIONS



KAP 809-M



KAP 819-UNF

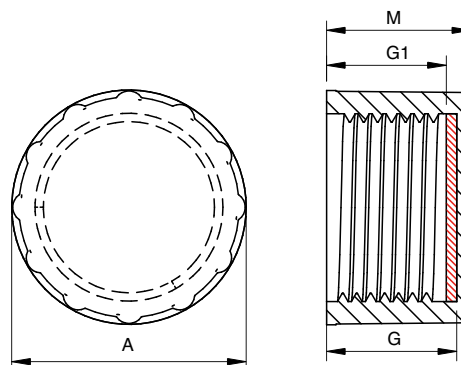
CAPPUCCIO FILETTATO RINFORZATO A TENUTA CON NERVE POLIGONALI E GUARNIZIONE PIANA PER FILETTATURE UNF

REINFORCED THREADED CAPS,
WITH POLYGONAL RIBS AND FLAT GASKET FOR UNF THREADS

Materiale / Material: PA 6 + FV 50% - CAPPUCCIO / CAP
TPE - GUARNIZIONE / GASKET

Colore / Colour: nero / black - CAPPUCCIO / CAP
naturale / natural - GUARNIZIONE / GASKET

Dimensioni / Dimensions : mm



RIFERIMENTO REFERENCE	MATERIALE / COLORE MATERIAL / COLOUR	-	A	G	G1	M
KAP 819 7/16"-20 UNF CON GUARNIZIONE / WITH GASKET	PA 6 + FV 50% NERO / BLACK	7/16"-20 UNF	15	12	10	13,5
KAP 819 1/2"-20 UNF CON GUARNIZIONE / WITH GASKET	PA 6 + FV 50% NERO / BLACK	1/2"-20 UNF	18	15	13	16,5
KAP 819 9/16"-18 UNF CON GUARNIZIONE / WITH GASKET	PA 6 + FV 50% NERO / BLACK	9/16"-18 UNF	18	12	10	13,5
KAP 819 9/16"-24 UNF CON GUARNIZIONE / WITH GASKET	PA 6 + FV 50% NERO / BLACK	9/16"-24 UNF	18	12	10	13,5
KAP 819 5/8"-18 UNF CON GUARNIZIONE / WITH GASKET	PA 6 + FV 50% NERO / BLACK	5/8"-18 UNF	21	12	10	13,5
KAP 819 3/4"-16 UNF CON GUARNIZIONE / WITH GASKET	PA 6 + FV 50% NERO / BLACK	3/4"-16 UNF	24	16,5	14,5	18
KAP 819 3/4"-16 UNF - L CON GUARNIZIONE / WITH GASKET	PA 6 + FV 50% NERO / BLACK	3/4"-16 UNF	24	19,3	17,3	21,3
KAP 819 11/16"-16 UNF CON GUARNIZIONE / WITH GASKET	PA 6 + FV 50% NERO / BLACK	11/16"-16 UNF	22	10	8	11,5
KAP 819 11/16"-16 UNF - L CON GUARNIZIONE / WITH GASKET	PA 6 + FV 50% NERO / BLACK	11/16"-16 UNF	22	12	10	13,5
KAP 819 13/16"-16 UNF CON GUARNIZIONE / WITH GASKET	PA 6 + FV 50% NERO / BLACK	13/16"-16 UNF	25	11	9	12,5
KAP 819 13/16"-16 UNF - L CON GUARNIZIONE / WITH GASKET	PA 6 + FV 50% NERO / BLACK	13/16"-16 UNF	25	13	11	14,5
KAP 819 7/8"-14 UNF CON GUARNIZIONE / WITH GASKET	PA 6 + FV 50% NERO / BLACK	7/8"-14 UNF	28	19,8	17,8	21,8
KAP 819 1" -14 UNF CON GUARNIZIONE / WITH GASKET	PA 6 + FV 50% NERO / BLACK	1"-14 UNF	33	14	12	16
KAP 819 1-1/16"-12 UNF CON GUARNIZIONE / WITH GASKET	PA 6 + FV 50% NERO / BLACK	1-1/16"-12 UNF	33	14	12	16



			-	AG	G1	M
KAP 819 1-1/16"-12 UNF - L CON GUARNIZIONE / WITH GASKET	PA 6 + FV 50% NERO / BLACK	1-1/16"-2 UNF	35	22,8	20,8	25
KAP 819 1-3/16"-12 UNF CON GUARNIZIONE / WITH GASKET	PA 6 + FV 50% NERO / BLACK	1-3/16"-2 UNF	39	14	12	16
KAP 819 1-1/4"-12 UNF CON GUARNIZIONE / WITH GASKET	PA 6 + FV 50% NERO / BLACK	1-1/4"-2 UNF	39	14	12	16
KAP 819 1-5/16"-12 UNF CON GUARNIZIONE / WITH GASKET	PA 6 + FV 50% NERO / BLACK	1-5/16"-2 UNF	39	14	12	16
KAP 819 1-7/16"-12 UNF CON GUARNIZIONE / WITH GASKET	PA 6 + FV 50% NERO / BLACK	1-7/16"-2 UNF	44	17	15	19
KAP 819 1-5/8"-12 UNF CON GUARNIZIONE / WITH GASKET	PA 6 + FV 50% NERO / BLACK	1-5/8"-2 UNF	50	17	15	19
KAP 819 1-7/8"-12 UNF CON GUARNIZIONE / WITH GASKET	PA 6 + FV 50% NERO / BLACK	1-7/8"-2 UNF	60	17	15	19
KAP 819 1-11/16"-12 UNF CON GUARNIZIONE / WITH GASKET	PA 6 + FV 50% NERO / BLACK	1-11/16"-12UNF	60	17	15	19

SOLUZIONI ALTERNATIVE / ALTERNATIVE SOLUTIONS



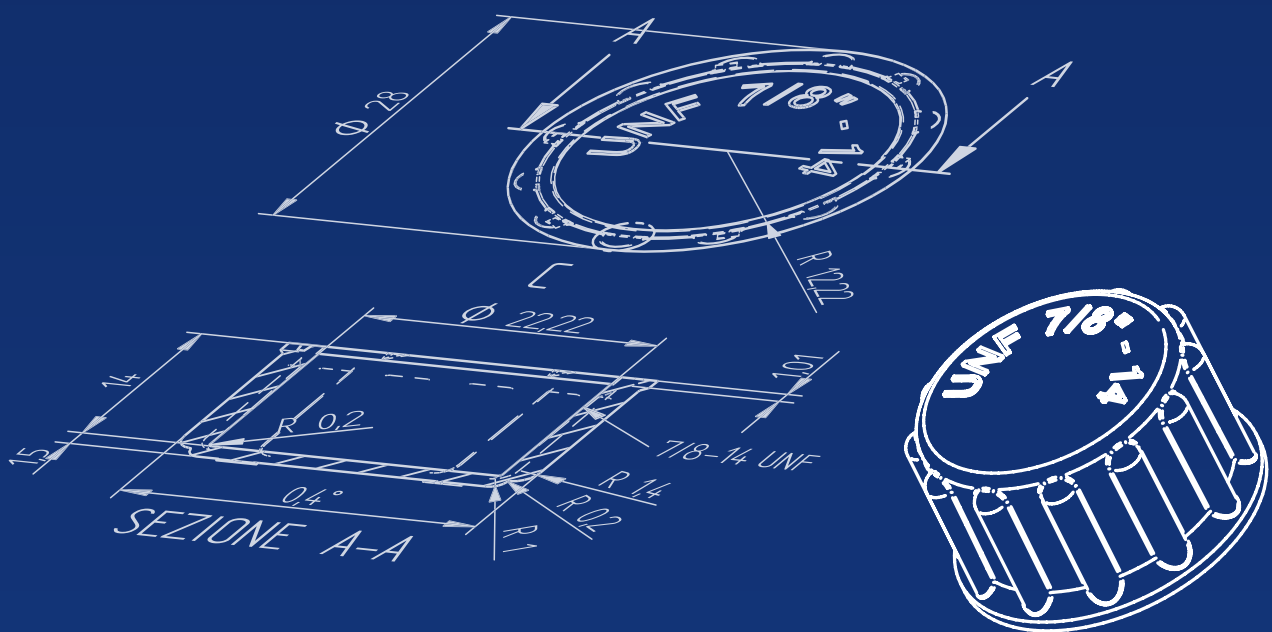
KAP 809-UN F





POLYCAP®





POLYKAP[®]

TAPPI E CAPPUCCI IN PLASTICA PER L'INDUSTRIA

POLYKAP s.r.l Via Dei Paceri, 77 47891 Falciano - Repubblica di San Marino
Tel. +39 0549 970203 - Fax +39 0549 910120
www.polykap.com - info@polykap.com



TAPPI E CAPPUCCI
A PRESSIONE
*PRESSURE CAPS
AND PLUGS*

QUALITY AND DESIGN



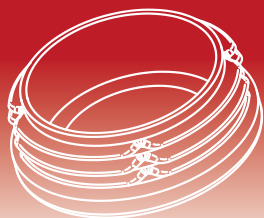
POLYCAP[®]





I NOSTRI CLIENTI
SONO I NOSTRI INGEGNERI
ED IL NOSTRO SOGNO É QUELLO DI
DVENTARE I VOSTRI MIGLIORI FORNITORI

*OUR CUSTOMERS
ARE OUR ENGINEERS AND
OUR DREAM IS TO BECOME
YOUR TOP SUPPLIERS*



TAPPI E CAPPUCCI A PRESSIONE La soluzione pratica ed efficace per risolvere velocemente problemi di protezioni a costi contenuti. La semplicità di utilizzo di queste protezioni a pressione ne fanno un ottimo prodotto per tutte le applicazioni che richiedono velocità, economicità e attenzione nella scelta delle protezioni.

PRESSURE CAPS AND PLUGS The practical and performant solution to solve protective problems quickly with lower costs. These easy-fit pressure protections are an excellent product for all applications that require speed, cost saving and attention to the protective choices.

	KAP 100	CAPPUCCIO DI PROTEZIONE ROTONDO <i>ROUND PROTECTION CAP</i>	p. 6
	KAP 160	CAPPUCCIO DI PROTEZIONE QUADRATO <i>SQUARE PROTECTION CAP</i>	p. 24
	KAP 208 - 7042	CAPPUCCIO ROTONDO A PRESSIONE <i>ROUND PUSH-FIT CAP</i>	p. 26
	KAP 208 - 9003	CAPPUCCIO ROTONDO A PRESSIONE <i>ROUND PUSH-FIT CAP</i>	p. 27
	KAP 208 - 9005	CAPPUCCIO ROTONDO A PRESSIONE <i>ROUND PUSH-FIT CAP</i>	p. 28
	KAP 510 - 7042	TAPPO ROTONDO A LAMELLE A TESTA PIANA <i>ROUND RIBBED PLUG WITH FLAT HEAD</i>	p. 30
	KAP 510 - 9003	TAPPO ROTONDO A LAMELLE A TESTA PIANA <i>ROUND RIBBED PLUG WITH FLAT HEAD</i>	p. 34
	KAP 510 - 9005	TAPPO ROTONDO A LAMELLE A TESTA PIANA <i>ROUND RIBBED PLUG WITH FLAT HEAD</i>	p. 38
	KAP 520 - 7042	TAPPO ROTONDO A LAMELLE A TESTA SOTTILE <i>ROUND RIBBED PLUG WITH SLIM HEAD</i>	p. 42
	KAP 520 - 9003	TAPPO ROTONDO A LAMELLE A TESTA SOTTILE <i>ROUND RIBBED PLUG WITH SLIM HEAD</i>	p. 44
	KAP 520 - 9005	TAPPO ROTONDO A LAMELLE A TESTA SOTTILE <i>ROUND RIBBED PLUG WITH SLIM HEAD</i>	p. 46
	KAP 530 - 7042	TAPPO ROTONDO A LAMELLE A TESTA BOMBATA <i>ROUND RIBBED PLUG WITH ROUNDED HEAD</i>	p. 48
	KAP 530 - 9003	TAPPO ROTONDO A LAMELLE A TESTA BOMBATA <i>ROUND RIBBED PLUG WITH ROUNDED HEAD</i>	p. 50
	KAP 530 - 9005	TAPPO ROTONDO A LAMELLE A TESTA BOMBATA <i>ROUND RIBBED PLUG WITH ROUNDED HEAD</i>	p. 52
	KAP 540 - 7042	TAPPO ROTONDO A LAMELLE A TESTA SEMISFERICA <i>ROUND RIBBED PLUG WITH HEMISPHERICAL HEAD</i>	p. 54
	KAP 540 - 9003	TAPPO ROTONDO A LAMELLE A TESTA SEMISFERICA <i>ROUND RIBBED PLUG WITH HEMISPHERICAL HEAD</i>	p. 55
	KAP 540 - 9005	TAPPO ROTONDO A LAMELLE A TESTA SEMISFERICA <i>ROUND RIBBED PLUG WITH HEMISPHERICAL HEAD</i>	p. 56
	KAP 560 - 7042	TAPPO QUADRATO A LAMELLE A TESTA PIANA <i>SQUARE RIBBED PLUG WITH FLAT HEAD</i>	p. 58



	KAP 560 - 9003	TAPPO QUADRATO A LAMELLE A TESTA PIANA <i>SQUARE RIBBED PLUG WITH FLAT HEAD</i>	p. 60
	KAP 560 - 9005	TAPPO QUADRATO A LAMELLE A TESTA PIANA <i>SQUARE RIBBED PLUG WITH FLAT HEAD</i>	p. 62
	KAP 561 - 7042	TAPPO QUADRATO A LAMELLE A TESTA PIANA SOTTILE <i>SQUARE RIBBED PLUG WITH SLIM FLAT HEAD</i>	p. 64
	KAP 561 - 9003	TAPPO QUADRATO A LAMELLE A TESTA PIANA SOTTILE <i>SQUARE RIBBED PLUG WITH SLIM FLAT HEAD</i>	p. 65
	KAP 561 - 9005	TAPPO QUADRATO A LAMELLE A TESTA PIANA SOTTILE <i>SQUARE RIBBED PLUG WITH SLIM FLAT HEAD</i>	p. 66
	KAP 570 - 7042	TAPPO RETTANGOLARE A LAMELLE A TESTA PIANA <i>RECTANGULAR RIBBED PLUG WITH FLAT HEAD</i>	p. 68
	KAP 570 - 9003	TAPPO RETTANGOLARE A LAMELLE A TESTA PIANA <i>RECTANGULAR RIBBED PLUG WITH FLAT HEAD</i>	p. 72
	KAP 570 - 9005	TAPPO RETTANGOLARE A LAMELLE A TESTA PIANA <i>RECTANGULAR RIBBED PLUG WITH FLAT HEAD</i>	p. 76
	KAP 571 - 7042	TAPPO RETTANGOLARE A LAMELLE A TESTA PIANA SOTTILE <i>RECTANGULAR RIBBED PLUG WITH SLIM FLAT HEAD</i>	p. 80
	KAP 571 - 9003	TAPPO RETTANGOLARE A LAMELLE A TESTA PIANA SOTTILE <i>RECTANGULAR RIBBED PLUG WITH SLIM FLAT HEAD</i>	p. 81
	KAP 571 - 9005	TAPPO RETTANGOLARE A LAMELLE A TESTA PIANA SOTTILE <i>RECTANGULAR RIBBED PLUG WITH SLIM FLAT HEAD</i>	p. 82
	KAP 610 - 7042	TAPPO COPRIFORO A TESTA SOTTILE <i>CLOSING PLUG WITH SLIM HEAD</i>	p. 84
	KAP 610 - 9003	TAPPO COPRIFORO A TESTA SOTTILE <i>CLOSING PLUG WITH SLIM HEAD</i>	p. 87
	KAP 610 - 9005	TAPPO COPRIFORO A TESTA SOTTILE <i>CLOSING PLUG WITH SLIM HEAD</i>	p. 90
	KAP 1000	CAPPUCCIO DI PROTEZIONE PER DADI E BULLONI ESAGONALI <i>PROTECTIVE CAP FOR HEXAGONAL NUTS AND BOLTS</i>	p. 94
	KAP 1010	CAPPUCCIO A TENUTA PER VITI E DADI ESAGONALI <i>COVER CAP FOR NUTS AND BOLTS</i>	p. 96
	KAP 1010 - T	CAPPUCCIO TELESCOPICO A TENUTA PER VITI E DADI ESAGONALI <i>TELESCOPIC CAP FOR NUTS AND BOLTS</i>	p. 99
	KAP 1020	CAPPUCCIO A TENUTA PER VITI E DADI ESAGONALI CON RONDELLA <i>COVER CAP FOR NUTS AND BOLTS WITH WASHER</i>	p. 102
	KAP 1020 - T	CAPPUCCIO TELESCOPICO A TENUTA PER VITI E DADI ESAGONALI CON RONDELLA <i>TELESCOPIC CAP FOR NUTS AND BOLTS WITH WASHER</i>	p. 105
	KAP 1030	CAPPUCCIO A TENUTA PER VITI E DADI ESAGONALI CON RONDELLA ALTA <i>COVER CAP FOR NUTS AND BOLTS WITH HIGH WASHER</i>	p. 108
	KAP 1040	CAPPUCCIO A TENUTA PER VITI E DADI ESAGONALI CON RONDELLA LARGA <i>COVER CAP FOR NUTS AND BOLTS WITH LARGE WASHER</i>	p. 109



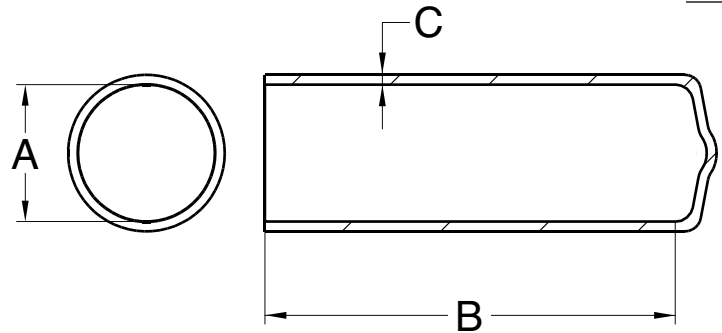
KAP 100

CAPPUCCIO DI PROTEZIONE ROTONDO
ROUND PROTECTION CAP

Materiale / Material: Plastisol

Colore / Colour: nero, giallo, rosso, verde / black, yellow, red, green

Dimensioni / Dimensions: mm



RIFERIMENTO REFERENCE	COLORI STANDARD STANDARD COLOURS	A	B	C
KAP 100 1,58 x 6,35	NERO - GIALLO - ROSSO - VERDE / BLACK - YELLOW - RED - GREEN	1,58	6,35	1,52
KAP 100 1,58 x 12,70	NERO - GIALLO - ROSSO - VERDE / BLACK - YELLOW - RED - GREEN	1,58	12,70	1,52
KAP 100 1,58 x 19,05	NERO - GIALLO - ROSSO - VERDE / BLACK - YELLOW - RED - GREEN	1,58	19,05	1,52
KAP 100 1,78 x 6,35	NERO - GIALLO - ROSSO - VERDE / BLACK - YELLOW - RED - GREEN	1,78	6,35	1,52
KAP 100 1,78 x 12,70	NERO - GIALLO - ROSSO - VERDE / BLACK - YELLOW - RED - GREEN	1,78	12,70	1,52
KAP 100 1,78 x 19,05	NERO - GIALLO - ROSSO - VERDE / BLACK - YELLOW - RED - GREEN	1,78	19,05	1,52
KAP 100 1,78 x 25,41	NERO - GIALLO - ROSSO - VERDE / BLACK - YELLOW - RED - GREEN	1,78	25,41	1,52
KAP 100 2,03 x 6,35	NERO - GIALLO - ROSSO - VERDE / BLACK - YELLOW - RED - GREEN	2,03	6,35	1,52
KAP 100 2,03 x 12,70	NERO - GIALLO - ROSSO - VERDE / BLACK - YELLOW - RED - GREEN	2,03	12,70	1,52
KAP 100 2,03 x 19,05	NERO - GIALLO - ROSSO - VERDE / BLACK - YELLOW - RED - GREEN	2,03	19,05	1,52
KAP 100 2,03 x 25,41	NERO - GIALLO - ROSSO - VERDE / BLACK - YELLOW - RED - GREEN	2,03	25,41	1,52
KAP 100 2,36 x 6,35	NERO - GIALLO - ROSSO - VERDE / BLACK - YELLOW - RED - GREEN	2,36	6,35	1,52
KAP 100 2,36 x 12,70	NERO - GIALLO - ROSSO - VERDE / BLACK - YELLOW - RED - GREEN	2,36	12,70	1,52
KAP 100 2,36 x 19,05	NERO - GIALLO - ROSSO - VERDE / BLACK - YELLOW - RED - GREEN	2,36	19,05	1,52
KAP 100 2,36 x 25,41	NERO - GIALLO - ROSSO - VERDE / BLACK - YELLOW - RED - GREEN	2,36	25,41	1,52
KAP 100 2,79 x 6,35	NERO - GIALLO - ROSSO - VERDE / BLACK - YELLOW - RED - GREEN	2,79	6,35	1,52
KAP 100 2,79 x 12,70	NERO - GIALLO - ROSSO - VERDE / BLACK - YELLOW - RED - GREEN	2,79	12,70	1,52
KAP 100 2,79 x 19,05	NERO - GIALLO - ROSSO - VERDE / BLACK - YELLOW - RED - GREEN	2,79	19,05	1,52
KAP 100 2,79 x 25,41	NERO - GIALLO - ROSSO - VERDE / BLACK - YELLOW - RED - GREEN	2,79	25,41	1,52
KAP 100 3,18 x 6,35	NERO - GIALLO - ROSSO - VERDE / BLACK - YELLOW - RED - GREEN	3,18	6,35	1,52
KAP 100 3,18 x 12,70	NERO - GIALLO - ROSSO - VERDE / BLACK - YELLOW - RED - GREEN	3,18	12,70	1,52
KAP 100 3,18 x 19,05	NERO - GIALLO - ROSSO - VERDE / BLACK - YELLOW - RED - GREEN	3,18	19,05	1,52
KAP 100 3,18 x 25,41	NERO - GIALLO - ROSSO - VERDE / BLACK - YELLOW - RED - GREEN	3,18	25,41	1,52
KAP 100 3,18 x 31,76	NERO - GIALLO - ROSSO - VERDE / BLACK - YELLOW - RED - GREEN	3,18	31,76	1,52
KAP 100 3,18 x 38,11	NERO - GIALLO - ROSSO - VERDE / BLACK - YELLOW - RED - GREEN	3,18	38,11	1,52
KAP 100 3,56 x 6,35	NERO - GIALLO - ROSSO - VERDE / BLACK - YELLOW - RED - GREEN	3,56	6,35	1,52



RIFERIMENTO REFERENCE	COLORI STANDARD STANDARD COLOURS	AB	C
KAP 100 3,56 x 12,7 0	NERO - GIALLO - ROSSO - VERDEBLACK - YELLOW - RED - GRIGIA	3,56	12,70 1,52
KAP 100 3,56 x 19,0 5	NERO - GIALLO - ROSSO - VERDEBLACK - YELLOW - RED - GRIGIA	3,56	19,05 1,52
KAP 100 3,56 x 25,4 1	NERO - GIALLO - ROSSO - VERDEBLACK - YELLOW - RED - GRIGIA	3,56	25,41 1,52
KAP 100 3,56 x 31,7 6	NERO - GIALLO - ROSSO - VERDEBLACK - YELLOW - RED - GRIGIA	3,56	31,76 1,52
KAP 100 3,56 x 38,1 1	NERO - GIALLO - ROSSO - VERDEBLACK - YELLOW - RED - GRIGIA	3,56	38,11 1,52
KAP 100 3,76 x 6,35	NERO - GIALLO - ROSSO - VERDEBLACK - YELLOW - RED - GRIGIA	3,76	6,35 1,52
KAP 100 3,76 x 12,7 0	NERO - GIALLO - ROSSO - VERDEBLACK - YELLOW - RED - GRIGIA	3,76	12,70 1,52
KAP 100 3,76 x 19,0 5	NERO - GIALLO - ROSSO - VERDEBLACK - YELLOW - RED - GRIGIA	3,76	19,05 1,52
KAP 100 3,76 x 25,4 1	NERO - GIALLO - ROSSO - VERDEBLACK - YELLOW - RED - GRIGIA	3,76	25,41 1,52
KAP 100 3,76 x 31,7 6	NERO - GIALLO - ROSSO - VERDEBLACK - YELLOW - RED - GRIGIA	3,76	31,76 1,52
KAP 100 3,76 x 38,1 1	NERO - GIALLO - ROSSO - VERDEBLACK - YELLOW - RED - GRIGIA	3,76	38,11 1,52
KAP 100 3,96 x 6,35	NERO - GIALLO - ROSSO - VERDEBLACK - YELLOW - RED - GRIGIA	3,96	6,35 1,52
KAP 100 3,96 x 12,7 0	NERO - GIALLO - ROSSO - VERDEBLACK - YELLOW - RED - GRIGIA	3,96	12,70 1,52
KAP 100 3,96 x 19,0 5	NERO - GIALLO - ROSSO - VERDEBLACK - YELLOW - RED - GRIGIA	3,96	19,05 1,52
KAP 100 3,96 x 25,4 1	NERO - GIALLO - ROSSO - VERDEBLACK - YELLOW - RED - GRIGIA	3,96	25,41 1,52
KAP 100 3,96 x 31,7 6	NERO - GIALLO - ROSSO - VERDEBLACK - YELLOW - RED - GRIGIA	3,96	31,76 1,52
KAP 100 3,96 x 38,1 1	NERO - GIALLO - ROSSO - VERDEBLACK - YELLOW - RED - GRIGIA	3,96	38,11 1,52
KAP 100 4,37 x 6,35	NERO - GIALLO - ROSSO - VERDEBLACK - YELLOW - RED - GRIGIA	4,37	6,35 1,52
KAP 100 4,37 x 12,7 0	NERO - GIALLO - ROSSO - VERDEBLACK - YELLOW - RED - GRIGIA	4,37	12,70 1,52
KAP 100 4,37 x 19,0 5	NERO - GIALLO - ROSSO - VERDEBLACK - YELLOW - RED - GRIGIA	4,37	19,05 1,52
KAP 100 4,37 x 25,4 1	NERO - GIALLO - ROSSO - VERDEBLACK - YELLOW - RED - GRIGIA	4,37	25,41 1,52
KAP 100 4,37 x 31,7 6	NERO - GIALLO - ROSSO - VERDEBLACK - YELLOW - RED - GRIGIA	4,37	31,76 1,52
KAP 100 4,37 x 38,1 1	NERO - GIALLO - ROSSO - VERDEBLACK - YELLOW - RED - GRIGIA	4,37	38,11 1,52
KAP 100 4,57 x 6,35	NERO - GIALLO - ROSSO - VERDEBLACK - YELLOW - RED - GRIGIA	4,57	6,35 1,52
KAP 100 4,57 x 12,7 0	NERO - GIALLO - ROSSO - VERDEBLACK - YELLOW - RED - GRIGIA	4,57	12,70 1,52
KAP 100 4,57 x 19,0 5	NERO - GIALLO - ROSSO - VERDEBLACK - YELLOW - RED - GRIGIA	4,57	19,05 1,52
KAP 100 4,57 x 25,4 1	NERO - GIALLO - ROSSO - VERDEBLACK - YELLOW - RED - GRIGIA	4,57	25,41 1,52
KAP 100 4,57 x 31,7 6	NERO - GIALLO - ROSSO - VERDEBLACK - YELLOW - RED - GRIGIA	4,57	31,76 1,52
KAP 100 4,57 x 38,1 1	NERO - GIALLO - ROSSO - VERDEBLACK - YELLOW - RED - GRIGIA	4,57	38,11 1,52
KAP 100 4,57 x 44,4 6	NERO - GIALLO - ROSSO - VERDEBLACK - YELLOW - RED - GRIGIA	4,57	44,46 1,52
KAP 100 4,57 x 50,8 1	NERO - GIALLO - ROSSO - VERDEBLACK - YELLOW - RED - GRIGIA	4,57	50,81 1,52
KAP 100 4,75 x 6,35	NERO - GIALLO - ROSSO - VERDEBLACK - YELLOW - RED - GRIGIA	4,75	6,35 1,52
KAP 100 4,75 x 12,7 0	NERO - GIALLO - ROSSO - VERDEBLACK - YELLOW - RED - GRIGIA	4,75	12,70 1,52
KAP 100 4,75 x 19,0 5	NERO - GIALLO - ROSSO - VERDEBLACK - YELLOW - RED - GRIGIA	4,75	19,05 1,52
KAP 100 4,75 x 25,4 1	NERO - GIALLO - ROSSO - VERDEBLACK - YELLOW - RED - GRIGIA	4,75	25,41 1,52
KAP 100 4,75 x 31,7 6	NERO - GIALLO - ROSSO - VERDEBLACK - YELLOW - RED - GRIGIA	4,75	31,76 1,52
KAP 100 4,75 x 38,1 1	NERO - GIALLO - ROSSO - VERDEBLACK - YELLOW - RED - GRIGIA	4,75	38,11 1,52
KAP 100 4,75 x 44,4 6	NERO - GIALLO - ROSSO - VERDEBLACK - YELLOW - RED - GRIGIA	4,75	44,46 1,52
KAP 100 4,75 x 50,8 1	NERO - GIALLO - ROSSO - VERDEBLACK - YELLOW - RED - GRIGIA	4,75	50,81 1,52
KAP 100 5,26 x 6,35	NERO - GIALLO - ROSSO - VERDEBLACK - YELLOW - RED - GRIGIA	5,26	6,35 1,52



RIFERIMENTO REFERENCE	COLORI STANDARD STANDARD COLOURS	AB	C
KAP 100 9,15 x 12,7 0	NERO - GIALLO - ROSSO - VERDEBLACK - YELLOW - RED - GRÆ	9,15	12,70 1,52
KAP 100 9,15 x 19,0 5	NERO - GIALLO - ROSSO - VERDEBLACK - YELLOW - RED - GRÆ	9,15	19,05 1,52
KAP 100 9,15 x 25,4 1	NERO - GIALLO - ROSSO - VERDEBLACK - YELLOW - RED - GRÆ	9,15	25,41 1,52
KAP 100 9,15 x 31,7 6	NERO - GIALLO - ROSSO - VERDEBLACK - YELLOW - RED - GRÆ	9,15	31,76 1,52
KAP 100 9,15 x 38,1 1	NERO - GIALLO - ROSSO - VERDEBLACK - YELLOW - RED - GRÆ	9,15	38,11 1,52
KAP 100 9,15 x 44,4 6	NERO - GIALLO - ROSSO - VERDEBLACK - YELLOW - RED - GRÆ	9,15	44,46 1,52
KAP 100 9,15 x 50,8 1	NERO - GIALLO - ROSSO - VERDEBLACK - YELLOW - RED - GRÆ	9,15	50,81 1,52
KAP 100 9,53 x 6,35	NERO - GIALLO - ROSSO - VERDEBLACK - YELLOW - RED - GRÆ	9,53	6,35 1,52
KAP 100 9,53 x 12,7 0	NERO - GIALLO - ROSSO - VERDEBLACK - YELLOW - RED - GRÆ	9,53	12,70 1,52
KAP 100 9,53 x 19,0 5	NERO - GIALLO - ROSSO - VERDEBLACK - YELLOW - RED - GRÆ	9,53	19,05 1,52
KAP 100 9,53 x 25,4 1	NERO - GIALLO - ROSSO - VERDEBLACK - YELLOW - RED - GRÆ	9,53	25,41 1,52
KAP 100 9,53 x 31,7 6	NERO - GIALLO - ROSSO - VERDEBLACK - YELLOW - RED - GRÆ	9,53	31,76 1,52
KAP 100 9,53 x 38,1 1	NERO - GIALLO - ROSSO - VERDEBLACK - YELLOW - RED - GRÆ	9,53	38,11 1,52
KAP 100 9,53 x 44,4 6	NERO - GIALLO - ROSSO - VERDEBLACK - YELLOW - RED - GRÆ	9,53	44,46 1,52
KAP 100 9,53 x 50,8 1	NERO - GIALLO - ROSSO - VERDEBLACK - YELLOW - RED - GRÆ	9,53	50,81 1,52
KAP 100 9,91 x 6,35	NERO - GIALLO - ROSSO - VERDEBLACK - YELLOW - RED - GRÆ	9,91	6,35 1,52
KAP 100 9,91 x 12,7 0	NERO - GIALLO - ROSSO - VERDEBLACK - YELLOW - RED - GRÆ	9,91	12,70 1,52
KAP 100 9,91 x 19,0 5	NERO - GIALLO - ROSSO - VERDEBLACK - YELLOW - RED - GRÆ	9,91	19,05 1,52
KAP 100 9,91 x 25,4 1	NERO - GIALLO - ROSSO - VERDEBLACK - YELLOW - RED - GRÆ	9,91	25,41 1,52
KAP 100 9,91 x 31,7 6	NERO - GIALLO - ROSSO - VERDEBLACK - YELLOW - RED - GRÆ	9,91	31,76 1,52
KAP 100 9,91 x 38,1 1	NERO - GIALLO - ROSSO - VERDEBLACK - YELLOW - RED - GRÆ	9,91	38,11 1,52
KAP 100 9,91 x 44,4 6	NERO - GIALLO - ROSSO - VERDEBLACK - YELLOW - RED - GRÆ	9,91	44,46 1,52
KAP 100 9,91 x 50,8 1	NERO - GIALLO - ROSSO - VERDEBLACK - YELLOW - RED - GRÆ	9,91	50,81 1,52
KAP 100 10,29 x 6,35	NERO - GIALLO - ROSSO - VERDEBLACK - YELLOW - RED - GRÆ	10,29	6,35 1,52
KAP 100 10,29 x 12,7 0	NERO - GIALLO - ROSSO - VERDEBLACK - YELLOW - RED - GRÆ	10,29	12,70 1,52
KAP 100 10,29 x 19,0 5	NERO - GIALLO - ROSSO - VERDEBLACK - YELLOW - RED - GRÆ	10,29	19,05 1,52
KAP 100 10,29 x 25,4 1	NERO - GIALLO - ROSSO - VERDEBLACK - YELLOW - RED - GRÆ	10,29	25,41 1,52
KAP 100 10,29 x 31,7 6	NERO - GIALLO - ROSSO - VERDEBLACK - YELLOW - RED - GRÆ	10,29	31,76 1,52
KAP 100 10,29 x 38,1 1	NERO - GIALLO - ROSSO - VERDEBLACK - YELLOW - RED - GRÆ	10,29	38,11 1,52
KAP 100 10,29 x 44,4 6	NERO - GIALLO - ROSSO - VERDEBLACK - YELLOW - RED - GRÆ	10,29	44,46 1,52
KAP 100 10,29 x 50,8 1	NERO - GIALLO - ROSSO - VERDEBLACK - YELLOW - RED - GRÆ	10,29	50,81 1,52
KAP 100 10,72 x 6,35	NERO - GIALLO - ROSSO - VERDEBLACK - YELLOW - RED - GRÆ	10,72	6,35 1,52
KAP 100 10,72 x 12,7 0	NERO - GIALLO - ROSSO - VERDEBLACK - YELLOW - RED - GRÆ	10,72	12,70 1,52
KAP 100 10,72 x 19,0 5	NERO - GIALLO - ROSSO - VERDEBLACK - YELLOW - RED - GRÆ	10,72	19,05 1,52
KAP 100 10,72 x 25,4 1	NERO - GIALLO - ROSSO - VERDEBLACK - YELLOW - RED - GRÆ	10,72	25,41 1,52
KAP 100 10,72 x 31,7 6	NERO - GIALLO - ROSSO - VERDEBLACK - YELLOW - RED - GRÆ	10,72	31,76 1,52
KAP 100 10,72 x 38,1 1	NERO - GIALLO - ROSSO - VERDEBLACK - YELLOW - RED - GRÆ	10,72	38,11 1,52
KAP 100 10,72 x 44,4 6	NERO - GIALLO - ROSSO - VERDEBLACK - YELLOW - RED - GRÆ	10,72	44,46 1,52
KAP 100 10,72 x 50,8 1	NERO - GIALLO - ROSSO - VERDEBLACK - YELLOW - RED - GRÆ	10,72	50,81 1,52
KAP 100 11,10 x 6,35	NERO - GIALLO - ROSSO - VERDEBLACK - YELLOW - RED - GRÆ	11,10	6,35 1,52



RIFERIMENTO REFERENCE	COLORI STANDARD STANDARD COLOURS	AB	C	
KAP 100 15,88 x 12,7 0	NERO - GIALLO - ROSSO - VERDEBLACK - YELLOW - RED - GR	15,88	12,70	1,52
KAP 100 15,88 x 19,0 5	NERO - GIALLO - ROSSO - VERDEBLACK - YELLOW - RED - GR	15,88	19,05	1,52
KAP 100 15,88 x 25,4 1	NERO - GIALLO - ROSSO - VERDEBLACK - YELLOW - RED - GR	15,88	25,41	1,52
KAP 100 15,88 x 31,7 6	NERO - GIALLO - ROSSO - VERDEBLACK - YELLOW - RED - GR	15,88	31,76	1,52
KAP 100 15,88 x 38,1 1	NERO - GIALLO - ROSSO - VERDEBLACK - YELLOW - RED - GR	15,88	38,11	1,52
KAP 100 15,88 x 44,4 6	NERO - GIALLO - ROSSO - VERDEBLACK - YELLOW - RED - GR	15,88	44,46	1,52
KAP 100 15,88 x 50,8 1	NERO - GIALLO - ROSSO - VERDEBLACK - YELLOW - RED - GR	15,88	50,81	1,52
KAP 100 17,02 x 6,35	NERO - GIALLO - ROSSO - VERDEBLACK - YELLOW - RED - GR	17,02	6,35	1,52
KAP 100 17,02 x 12,7 0	NERO - GIALLO - ROSSO - VERDEBLACK - YELLOW - RED - GR	17,02	12,70	1,52
KAP 100 17,02 x 19,0 5	NERO - GIALLO - ROSSO - VERDEBLACK - YELLOW - RED - GR	17,02	19,05	1,52
KAP 100 17,02 x 25,4 1	NERO - GIALLO - ROSSO - VERDEBLACK - YELLOW - RED - GR	17,02	25,41	1,52
KAP 100 17,02 x 31,7 6	NERO - GIALLO - ROSSO - VERDEBLACK - YELLOW - RED - GR	17,02	31,76	1,52
KAP 100 17,02 x 38,1 1	NERO - GIALLO - ROSSO - VERDEBLACK - YELLOW - RED - GR	17,02	38,11	1,52
KAP 100 17,02 x 44,4 6	NERO - GIALLO - ROSSO - VERDEBLACK - YELLOW - RED - GR	17,02	44,46	1,52
KAP 100 17,02 x 50,8 1	NERO - GIALLO - ROSSO - VERDEBLACK - YELLOW - RED - GR	17,02	50,81	1,52
KAP 100 17,45 x 6,35	NERO - GIALLO - ROSSO - VERDEBLACK - YELLOW - RED - GR	17,45	6,35	1,52
KAP 100 17,45 x 12,7 0	NERO - GIALLO - ROSSO - VERDEBLACK - YELLOW - RED - GR	17,45	12,70	1,52
KAP 100 17,45 x 19,0 5	NERO - GIALLO - ROSSO - VERDEBLACK - YELLOW - RED - GR	17,45	19,05	1,52
KAP 100 17,45 x 25,4 1	NERO - GIALLO - ROSSO - VERDEBLACK - YELLOW - RED - GR	17,45	25,41	1,52
KAP 100 17,45 x 31,7 6	NERO - GIALLO - ROSSO - VERDEBLACK - YELLOW - RED - GR	17,45	31,76	1,52
KAP 100 17,45 x 38,1 1	NERO - GIALLO - ROSSO - VERDEBLACK - YELLOW - RED - GR	17,45	38,11	1,52
KAP 100 17,45 x 44,4 6	NERO - GIALLO - ROSSO - VERDEBLACK - YELLOW - RED - GR	17,45	44,46	1,52
KAP 100 17,45 x 50,8 1	NERO - GIALLO - ROSSO - VERDEBLACK - YELLOW - RED - GR	17,45	50,81	1,52
KAP 100 18,29 x 6,35	NERO - GIALLO - ROSSO - VERDEBLACK - YELLOW - RED - GR	18,29	6,35	1,52
KAP 100 18,29 x 12,7 0	NERO - GIALLO - ROSSO - VERDEBLACK - YELLOW - RED - GR	18,29	12,70	1,52
KAP 100 18,29 x 19,0 5	NERO - GIALLO - ROSSO - VERDEBLACK - YELLOW - RED - GR	18,29	19,05	1,52
KAP 100 18,29 x 25,4 1	NERO - GIALLO - ROSSO - VERDEBLACK - YELLOW - RED - GR	18,29	25,41	1,52
KAP 100 18,29 x 31,7 6	NERO - GIALLO - ROSSO - VERDEBLACK - YELLOW - RED - GR	18,29	31,76	1,52
KAP 100 18,29 x 38,1 1	NERO - GIALLO - ROSSO - VERDEBLACK - YELLOW - RED - GR	18,29	38,11	1,52
KAP 100 18,29 x 44,4 6	NERO - GIALLO - ROSSO - VERDEBLACK - YELLOW - RED - GR	18,29	44,46	1,52
KAP 100 18,29 x 50,8 1	NERO - GIALLO - ROSSO - VERDEBLACK - YELLOW - RED - GR	18,29	50,81	1,52
KAP 100 18,67 x 6,35	NERO - GIALLO - ROSSO - VERDEBLACK - YELLOW - RED - GR	18,67	6,35	1,52
KAP 100 18,67 x 12,7 0	NERO - GIALLO - ROSSO - VERDEBLACK - YELLOW - RED - GR	18,67	12,70	1,52
KAP 100 18,67 x 19,0 5	NERO - GIALLO - ROSSO - VERDEBLACK - YELLOW - RED - GR	18,67	19,05	1,52
KAP 100 18,67 x 25,4 1	NERO - GIALLO - ROSSO - VERDEBLACK - YELLOW - RED - GR	18,67	25,41	1,52
KAP 100 18,67 x 31,7 6	NERO - GIALLO - ROSSO - VERDEBLACK - YELLOW - RED - GR	18,67	31,76	1,52
KAP 100 18,67 x 38,1 1	NERO - GIALLO - ROSSO - VERDEBLACK - YELLOW - RED - GR	18,67	38,11	1,52
KAP 100 18,67 x 44,4 6	NERO - GIALLO - ROSSO - VERDEBLACK - YELLOW - RED - GR	18,67	44,46	1,52
KAP 100 18,67 x 50,8 1	NERO - GIALLO - ROSSO - VERDEBLACK - YELLOW - RED - GR	18,67	50,81	1,52
KAP 100 19,05 x 6,35	NERO - GIALLO - ROSSO - VERDEBLACK - YELLOW - RED - GR	19,05	6,35	1,52





RIFERIMENTO REFERENCE	COLORI STANDARD STANDARD COLOURS	AB	C
KAP 100 22,99 x 12,7 0	NERO - GIALLO - ROSSO - VERDEBLACK - YELLOW - RED - GRÆ	22,99	12,70 1,52
KAP 100 22,99 x 19,0 5	NERO - GIALLO - ROSSO - VERDEBLACK - YELLOW - RED - GRÆ	22,99	19,05 1,52
KAP 100 22,99 x 25,4 1	NERO - GIALLO - ROSSO - VERDEBLACK - YELLOW - RED - GRÆ	22,99	25,41 1,52
KAP 100 22,99 x 31,7 6	NERO - GIALLO - ROSSO - VERDEBLACK - YELLOW - RED - GRÆ	22,99	31,76 1,52
KAP 100 22,99 x 38,1 1	NERO - GIALLO - ROSSO - VERDEBLACK - YELLOW - RED - GRÆ	22,99	38,11 1,52
KAP 100 22,99 x 44,4 6	NERO - GIALLO - ROSSO - VERDEBLACK - YELLOW - RED - GRÆ	22,99	44,46 1,52
KAP 100 22,99 x 50,8 1	NERO - GIALLO - ROSSO - VERDEBLACK - YELLOW - RED - GRÆ	22,99	50,81 1,52
KAP 100 23,42 x 6,35	NERO - GIALLO - ROSSO - VERDEBLACK - YELLOW - RED - GRÆ	23,42	6,35 1,52
KAP 100 23,42 x 12,7 0	NERO - GIALLO - ROSSO - VERDEBLACK - YELLOW - RED - GRÆ	23,42	12,70 1,52
KAP 100 23,42 x 19,0 5	NERO - GIALLO - ROSSO - VERDEBLACK - YELLOW - RED - GRÆ	23,42	19,05 1,52
KAP 100 23,42 x 25,4 1	NERO - GIALLO - ROSSO - VERDEBLACK - YELLOW - RED - GRÆ	23,42	25,41 1,52
KAP 100 23,42 x 31,7 6	NERO - GIALLO - ROSSO - VERDEBLACK - YELLOW - RED - GRÆ	23,42	31,76 1,52
KAP 100 23,42 x 38,1 1	NERO - GIALLO - ROSSO - VERDEBLACK - YELLOW - RED - GRÆ	23,42	38,11 1,52
KAP 100 23,42 x 44,4 6	NERO - GIALLO - ROSSO - VERDEBLACK - YELLOW - RED - GRÆ	23,42	44,46 1,52
KAP 100 23,42 x 50,8 1	NERO - GIALLO - ROSSO - VERDEBLACK - YELLOW - RED - GRÆ	23,42	50,81 1,52
KAP 100 23,81 x 6,35	NERO - GIALLO - ROSSO - VERDEBLACK - YELLOW - RED - GRÆ	23,81	6,35 1,52
KAP 100 23,81 x 12,7 0	NERO - GIALLO - ROSSO - VERDEBLACK - YELLOW - RED - GRÆ	23,81	12,70 1,52
KAP 100 23,81 x 19,0 5	NERO - GIALLO - ROSSO - VERDEBLACK - YELLOW - RED - GRÆ	23,81	19,05 1,52
KAP 100 23,81 x 25,4 1	NERO - GIALLO - ROSSO - VERDEBLACK - YELLOW - RED - GRÆ	23,81	25,41 1,52
KAP 100 23,81 x 31,7 6	NERO - GIALLO - ROSSO - VERDEBLACK - YELLOW - RED - GRÆ	23,81	31,76 1,52
KAP 100 23,81 x 38,1 1	NERO - GIALLO - ROSSO - VERDEBLACK - YELLOW - RED - GRÆ	23,81	38,11 1,52
KAP 100 23,81 x 44,4 6	NERO - GIALLO - ROSSO - VERDEBLACK - YELLOW - RED - GRÆ	23,81	44,46 1,52
KAP 100 23,81 x 50,8 1	NERO - GIALLO - ROSSO - VERDEBLACK - YELLOW - RED - GRÆ	23,81	50,81 1,52
KAP 100 24,90 x 6,35	NERO - GIALLO - ROSSO - VERDEBLACK - YELLOW - RED - GRÆ	24,90	6,35 1,52
KAP 100 24,90 x 12,7 0	NERO - GIALLO - ROSSO - VERDEBLACK - YELLOW - RED - GRÆ	24,90	12,70 1,52
KAP 100 24,90 x 19,0 5	NERO - GIALLO - ROSSO - VERDEBLACK - YELLOW - RED - GRÆ	24,90	19,05 1,52
KAP 100 24,90 x 25,4 1	NERO - GIALLO - ROSSO - VERDEBLACK - YELLOW - RED - GRÆ	24,90	25,41 1,52
KAP 100 24,90 x 31,7 6	NERO - GIALLO - ROSSO - VERDEBLACK - YELLOW - RED - GRÆ	24,90	31,76 1,52
KAP 100 24,90 x 38,1 1	NERO - GIALLO - ROSSO - VERDEBLACK - YELLOW - RED - GRÆ	24,90	38,11 1,52
KAP 100 24,90 x 44,4 6	NERO - GIALLO - ROSSO - VERDEBLACK - YELLOW - RED - GRÆ	24,90	44,46 1,52
KAP 100 24,90 x 50,8 1	NERO - GIALLO - ROSSO - VERDEBLACK - YELLOW - RED - GRÆ	24,90	50,81 1,52
KAP 100 25,41 x 6,35	NERO - GIALLO - ROSSO - VERDEBLACK - YELLOW - RED - GRÆ	25,41	6,35 1,52
KAP 100 25,41 x 12,7 0	NERO - GIALLO - ROSSO - VERDEBLACK - YELLOW - RED - GRÆ	25,41	12,70 1,52
KAP 100 25,41 x 19,0 5	NERO - GIALLO - ROSSO - VERDEBLACK - YELLOW - RED - GRÆ	25,41	19,05 1,52
KAP 100 25,41 x 25,4 1	NERO - GIALLO - ROSSO - VERDEBLACK - YELLOW - RED - GRÆ	25,41	25,41 1,52
KAP 100 25,41 x 31,7 6	NERO - GIALLO - ROSSO - VERDEBLACK - YELLOW - RED - GRÆ	25,41	31,76 1,52
KAP 100 25,41 x 38,1 1	NERO - GIALLO - ROSSO - VERDEBLACK - YELLOW - RED - GRÆ	25,41	38,11 1,52
KAP 100 25,41 x 44,4 6	NERO - GIALLO - ROSSO - VERDEBLACK - YELLOW - RED - GRÆ	25,41	44,46 1,52
KAP 100 25,41 x 50,8 1	NERO - GIALLO - ROSSO - VERDEBLACK - YELLOW - RED - GRÆ	25,41	50,81 1,52
KAP 100 26,42 x 6,35	NERO - GIALLO - ROSSO - VERDEBLACK - YELLOW - RED - GRÆ	26,42	6,35 1,52



RIFERIMENTO REFERENCE	COLORI STANDARD STANDARD COLOURS	AB	C
KAP 100 26,42 x 12,7 0	NERO - GIALLO - ROSSO - VERDEBLACK - YELLOW - RED - GR	26,42	12,70 1,52
KAP 100 26,42 x 19,0 5	NERO - GIALLO - ROSSO - VERDEBLACK - YELLOW - RED - GR	26,42	19,05 1,52
KAP 100 26,42 x 25,4 1	NERO - GIALLO - ROSSO - VERDEBLACK - YELLOW - RED - GR	26,42	25,41 1,52
KAP 100 26,42 x 31,7 6	NERO - GIALLO - ROSSO - VERDEBLACK - YELLOW - RED - GR	26,42	31,76 1,52
KAP 100 26,42 x 38,1 1	NERO - GIALLO - ROSSO - VERDEBLACK - YELLOW - RED - GR	26,42	38,11 1,52
KAP 100 26,42 x 44,4 6	NERO - GIALLO - ROSSO - VERDEBLACK - YELLOW - RED - GR	26,42	44,46 1,52
KAP 100 26,42 x 50,8 1	NERO - GIALLO - ROSSO - VERDEBLACK - YELLOW - RED - GR	26,42	50,81 1,52
KAP 100 26,98 x 6,35	NERO - GIALLO - ROSSO - VERDEBLACK - YELLOW - RED - GR	26,98	6,35 1,52
KAP 100 26,98 x 12,7 0	NERO - GIALLO - ROSSO - VERDEBLACK - YELLOW - RED - GR	26,98	12,70 1,52
KAP 100 26,98 x 19,0 5	NERO - GIALLO - ROSSO - VERDEBLACK - YELLOW - RED - GR	26,98	19,05 1,52
KAP 100 26,98 x 25,4 1	NERO - GIALLO - ROSSO - VERDEBLACK - YELLOW - RED - GR	26,98	25,41 1,52
KAP 100 26,98 x 31,7 6	NERO - GIALLO - ROSSO - VERDEBLACK - YELLOW - RED - GR	26,98	31,76 1,52
KAP 100 26,98 x 38,1 1	NERO - GIALLO - ROSSO - VERDEBLACK - YELLOW - RED - GR	26,98	38,11 1,52
KAP 100 26,98 x 44,4 6	NERO - GIALLO - ROSSO - VERDEBLACK - YELLOW - RED - GR	26,98	44,46 1,52
KAP 100 26,98 x 50,8 1	NERO - GIALLO - ROSSO - VERDEBLACK - YELLOW - RED - GR	26,98	50,81 1,52
KAP 100 28,58 x 6,35	NERO - GIALLO - ROSSO - VERDEBLACK - YELLOW - RED - GR	28,58	6,35 1,52
KAP 100 28,58 x 12,7 0	NERO - GIALLO - ROSSO - VERDEBLACK - YELLOW - RED - GR	28,58	12,70 1,52
KAP 100 28,58 x 19,0 5	NERO - GIALLO - ROSSO - VERDEBLACK - YELLOW - RED - GR	28,58	19,05 1,52
KAP 100 28,58 x 25,4 1	NERO - GIALLO - ROSSO - VERDEBLACK - YELLOW - RED - GR	28,58	25,41 1,52
KAP 100 28,58 x 31,7 6	NERO - GIALLO - ROSSO - VERDEBLACK - YELLOW - RED - GR	28,58	31,76 1,52
KAP 100 28,58 x 38,1 1	NERO - GIALLO - ROSSO - VERDEBLACK - YELLOW - RED - GR	28,58	38,11 1,52
KAP 100 28,58 x 44,4 6	NERO - GIALLO - ROSSO - VERDEBLACK - YELLOW - RED - GR	28,58	44,46 1,52
KAP 100 28,58 x 50,8 1	NERO - GIALLO - ROSSO - VERDEBLACK - YELLOW - RED - GR	28,58	50,81 1,52
KAP 100 30,16 x 6,35	NERO - GIALLO - ROSSO - VERDEBLACK - YELLOW - RED - GR	30,16	6,35 1,52
KAP 100 30,16 x 12,7 0	NERO - GIALLO - ROSSO - VERDEBLACK - YELLOW - RED - GR	30,16	12,70 1,52
KAP 100 30,16 x 19,0 5	NERO - GIALLO - ROSSO - VERDEBLACK - YELLOW - RED - GR	30,16	19,05 1,52
KAP 100 30,16 x 25,4 1	NERO - GIALLO - ROSSO - VERDEBLACK - YELLOW - RED - GR	30,16	25,41 1,52
KAP 100 30,16 x 31,7 6	NERO - GIALLO - ROSSO - VERDEBLACK - YELLOW - RED - GR	30,16	31,76 1,52
KAP 100 30,16 x 38,1 1	NERO - GIALLO - ROSSO - VERDEBLACK - YELLOW - RED - GR	30,16	38,11 1,52
KAP 100 30,16 x 44,4 6	NERO - GIALLO - ROSSO - VERDEBLACK - YELLOW - RED - GR	30,16	44,46 1,52
KAP 100 30,16 x 50,8 1	NERO - GIALLO - ROSSO - VERDEBLACK - YELLOW - RED - GR	30,16	50,81 1,52
KAP 100 31,76 x 6,35	NERO - GIALLO - ROSSO - VERDEBLACK - YELLOW - RED - GR	31,76	6,35 1,52
KAP 100 31,76 x 12,7 0	NERO - GIALLO - ROSSO - VERDEBLACK - YELLOW - RED - GR	31,76	12,70 1,52
KAP 100 31,76 x 19,0 5	NERO - GIALLO - ROSSO - VERDEBLACK - YELLOW - RED - GR	31,76	19,05 1,52
KAP 100 31,76 x 25,4 1	NERO - GIALLO - ROSSO - VERDEBLACK - YELLOW - RED - GR	31,76	25,41 1,52
KAP 100 31,76 x 31,7 6	NERO - GIALLO - ROSSO - VERDEBLACK - YELLOW - RED - GR	31,76	31,76 1,52
KAP 100 31,76 x 38,1 1	NERO - GIALLO - ROSSO - VERDEBLACK - YELLOW - RED - GR	31,76	38,11 1,52
KAP 100 31,76 x 44,4 6	NERO - GIALLO - ROSSO - VERDEBLACK - YELLOW - RED - GR	31,76	44,46 1,52
KAP 100 31,76 x 50,8 1	NERO - GIALLO - ROSSO - VERDEBLACK - YELLOW - RED - GR	31,76	50,81 1,52
KAP 100 33,33 x 6,35	NERO - GIALLO - ROSSO - VERDEBLACK - YELLOW - RED - GR	33,33	6,35 1,52



RIFERIMENTO REFERENCE	COLORI STANDARD STANDARD COLOURS	AB	C
KAP 100 85,75 x 12,7 0	NERO - GIALLO - ROSSO - VERDEBLACK - YELLOW - RED - GRIGIA	85,75	12,70 1,52
KAP 100 85,75 x 19,0 5	NERO - GIALLO - ROSSO - VERDEBLACK - YELLOW - RED - GRIGIA	85,75	19,05 1,52
KAP 100 85,75 x 25,4 1	NERO - GIALLO - ROSSO - VERDEBLACK - YELLOW - RED - GRIGIA	85,75	25,41 1,52
KAP 100 85,75 x 31,7 6	NERO - GIALLO - ROSSO - VERDEBLACK - YELLOW - RED - GRIGIA	85,75	31,76 1,52
KAP 100 85,75 x 38,1 1	NERO - GIALLO - ROSSO - VERDEBLACK - YELLOW - RED - GRIGIA	85,75	38,11 1,52
KAP 100 85,75 x 44,4 6	NERO - GIALLO - ROSSO - VERDEBLACK - YELLOW - RED - GRIGIA	85,75	44,46 1,52
KAP 100 85,75 x 50,8 1	NERO - GIALLO - ROSSO - VERDEBLACK - YELLOW - RED - GRIGIA	85,75	50,81 1,52
KAP 100 88,92 x 6,35	NERO - GIALLO - ROSSO - VERDEBLACK - YELLOW - RED - GRIGIA	88,92	6,35 1,52
KAP 100 88,92 x 12,7 0	NERO - GIALLO - ROSSO - VERDEBLACK - YELLOW - RED - GRIGIA	88,92	12,70 1,52
KAP 100 88,92 x 19,0 5	NERO - GIALLO - ROSSO - VERDEBLACK - YELLOW - RED - GRIGIA	88,92	19,05 1,52
KAP 100 88,92 x 25,4 1	NERO - GIALLO - ROSSO - VERDEBLACK - YELLOW - RED - GRIGIA	88,92	25,41 1,52
KAP 100 88,92 x 31,7 6	NERO - GIALLO - ROSSO - VERDEBLACK - YELLOW - RED - GRIGIA	88,92	31,76 1,52
KAP 100 88,92 x 38,1 1	NERO - GIALLO - ROSSO - VERDEBLACK - YELLOW - RED - GRIGIA	88,92	38,11 1,52
KAP 100 88,92 x 44,4 6	NERO - GIALLO - ROSSO - VERDEBLACK - YELLOW - RED - GRIGIA	88,92	44,46 1,52
KAP 100 88,92 x 50,8 1	NERO - GIALLO - ROSSO - VERDEBLACK - YELLOW - RED - GRIGIA	88,92	50,81 1,52
KAP 100 92,10 x 6,35	NERO - GIALLO - ROSSO - VERDEBLACK - YELLOW - RED - GRIGIA	92,10	6,35 1,52
KAP 100 92,10 x 12,7 0	NERO - GIALLO - ROSSO - VERDEBLACK - YELLOW - RED - GRIGIA	92,10	12,70 1,52
KAP 100 92,10 x 19,0 5	NERO - GIALLO - ROSSO - VERDEBLACK - YELLOW - RED - GRIGIA	92,10	19,05 1,52
KAP 100 92,10 x 25,4 1	NERO - GIALLO - ROSSO - VERDEBLACK - YELLOW - RED - GRIGIA	92,10	25,41 1,52
KAP 100 92,10 x 31,7 6	NERO - GIALLO - ROSSO - VERDEBLACK - YELLOW - RED - GRIGIA	92,10	31,76 1,52
KAP 100 92,10 x 38,1 1	NERO - GIALLO - ROSSO - VERDEBLACK - YELLOW - RED - GRIGIA	92,10	38,11 1,52
KAP 100 92,10 x 44,4 6	NERO - GIALLO - ROSSO - VERDEBLACK - YELLOW - RED - GRIGIA	92,10	44,46 1,52
KAP 100 92,10 x 50,8 1	NERO - GIALLO - ROSSO - VERDEBLACK - YELLOW - RED - GRIGIA	92,10	50,81 1,52
KAP 100 101,63 x 6,35	NERO - GIALLO - ROSSO - VERDEBLACK - YELLOW - RED - GRIGIA	101,63	6,35 1,52
KAP 100 101,63 x 12,7 0	NERO - GIALLO - ROSSO - VERDEBLACK - YELLOW - RED - GRIGIA	101,63	12,70 1,52
KAP 100 101,63 x 19,0 5	NERO - GIALLO - ROSSO - VERDEBLACK - YELLOW - RED - GRIGIA	101,63	19,05 1,52
KAP 100 101,63 x 25,4 1	NERO - GIALLO - ROSSO - VERDEBLACK - YELLOW - RED - GRIGIA	101,63	25,41 1,52
KAP 100 101,63 x 31,7 6	NERO - GIALLO - ROSSO - VERDEBLACK - YELLOW - RED - GRIGIA	101,63	31,76 1,52
KAP 100 101,63 x 38,1 1	NERO - GIALLO - ROSSO - VERDEBLACK - YELLOW - RED - GRIGIA	101,63	38,11 1,52
KAP 100 101,63 x 44,4 6	NERO - GIALLO - ROSSO - VERDEBLACK - YELLOW - RED - GRIGIA	101,63	44,46 1,52
KAP 100 101,63 x 50,8 1	NERO - GIALLO - ROSSO - VERDEBLACK - YELLOW - RED - GRIGIA	101,63	50,81 1,52
KAP 100 107,98 x 6,35	NERO - GIALLO - ROSSO - VERDEBLACK - YELLOW - RED - GRIGIA	107,98	6,35 1,52
KAP 100 107,98 x 12,7 0	NERO - GIALLO - ROSSO - VERDEBLACK - YELLOW - RED - GRIGIA	107,98	12,70 1,52
KAP 100 107,98 x 19,0 5	NERO - GIALLO - ROSSO - VERDEBLACK - YELLOW - RED - GRIGIA	107,98	19,05 1,52
KAP 100 107,98 x 25,4 1	NERO - GIALLO - ROSSO - VERDEBLACK - YELLOW - RED - GRIGIA	107,98	25,41 1,52
KAP 100 107,98 x 31,7 6	NERO - GIALLO - ROSSO - VERDEBLACK - YELLOW - RED - GRIGIA	107,98	31,76 1,52
KAP 100 107,98 x 38,1 1	NERO - GIALLO - ROSSO - VERDEBLACK - YELLOW - RED - GRIGIA	107,98	38,11 1,52
KAP 100 107,98 x 44,4 6	NERO - GIALLO - ROSSO - VERDEBLACK - YELLOW - RED - GRIGIA	107,98	44,46 1,52
KAP 100 107,98 x 50,8 1	NERO - GIALLO - ROSSO - VERDEBLACK - YELLOW - RED - GRIGIA	107,98	50,81 1,52
KAP 100 111,15 x 6,35	NERO - GIALLO - ROSSO - VERDEBLACK - YELLOW - RED - GRIGIA	111,15	6,35 1,52



RIFERIMENTO REFERENCE	COLORI STANDARD STANDARD COLOURS	AB	C
KAP 100 111,15 x 12,7 0	NERO - GIALLO - ROSSO - VERDE BLACK - YELLOW - RED - GREEN	111,15	12,70 1,52
KAP 100 111,15 x 19,0 5	NERO - GIALLO - ROSSO - VERDE BLACK - YELLOW - RED - GREEN	111,15	19,05 1,52
KAP 100 111,15 x 25,4 1	NERO - GIALLO - ROSSO - VERDE BLACK - YELLOW - RED - GREEN	111,15	25,41 1,52
KAP 100 111,15 x 31,7 6	NERO - GIALLO - ROSSO - VERDE BLACK - YELLOW - RED - GREEN	111,15	31,76 1,52
KAP 100 111,15 x 38,1 1	NERO - GIALLO - ROSSO - VERDE BLACK - YELLOW - RED - GREEN	111,15	38,11 1,52
KAP 100 111,15 x 44,4 6	NERO - GIALLO - ROSSO - VERDE BLACK - YELLOW - RED - GREEN	111,15	44,46 1,52
KAP 100 111,15 x 50,8 1	NERO - GIALLO - ROSSO - VERDE BLACK - YELLOW - RED - GREEN	111,15	50,81 1,52
KAP 100 112,73 x 6,35	NERO - GIALLO - ROSSO - VERDE BLACK - YELLOW - RED - GREEN	112,73	6,35 1,52
KAP 100 112,73 x 12,7 0	NERO - GIALLO - ROSSO - VERDE BLACK - YELLOW - RED - GREEN	112,73	12,70 1,52
KAP 100 112,73 x 19,0 5	NERO - GIALLO - ROSSO - VERDE BLACK - YELLOW - RED - GREEN	112,73	19,05 1,52
KAP 100 112,73 x 25,4 1	NERO - GIALLO - ROSSO - VERDE BLACK - YELLOW - RED - GREEN	112,73	25,41 1,52
KAP 100 112,73 x 31,7 6	NERO - GIALLO - ROSSO - VERDE BLACK - YELLOW - RED - GREEN	112,73	31,76 1,52
KAP 100 112,73 x 38,1 1	NERO - GIALLO - ROSSO - VERDE BLACK - YELLOW - RED - GREEN	112,73	38,11 1,52
KAP 100 112,73 x 44,4 6	NERO - GIALLO - ROSSO - VERDE BLACK - YELLOW - RED - GREEN	112,73	44,46 1,52
KAP 100 112,73 x 50,8 1	NERO - GIALLO - ROSSO - VERDE BLACK - YELLOW - RED - GREEN	112,73	50,81 1,52
KAP 100 120,68 x 6,35	NERO - GIALLO - ROSSO - VERDE BLACK - YELLOW - RED - GREEN	120,68	6,35 1,52
KAP 100 120,68 x 12,7 0	NERO - GIALLO - ROSSO - VERDE BLACK - YELLOW - RED - GREEN	120,68	12,70 1,52
KAP 100 120,68 x 19,0 5	NERO - GIALLO - ROSSO - VERDE BLACK - YELLOW - RED - GREEN	120,68	19,05 1,52
KAP 100 120,68 x 25,4 1	NERO - GIALLO - ROSSO - VERDE BLACK - YELLOW - RED - GREEN	120,68	25,41 1,52
KAP 100 120,68 x 31,7 6	NERO - GIALLO - ROSSO - VERDE BLACK - YELLOW - RED - GREEN	120,68	31,76 1,52
KAP 100 120,68 x 38,1 1	NERO - GIALLO - ROSSO - VERDE BLACK - YELLOW - RED - GREEN	120,68	38,11 1,52
KAP 100 120,68 x 44,4 6	NERO - GIALLO - ROSSO - VERDE BLACK - YELLOW - RED - GREEN	120,68	44,46 1,52
KAP 100 120,68 x 50,8 1	NERO - GIALLO - ROSSO - VERDE BLACK - YELLOW - RED - GREEN	120,68	50,81 1,52
KAP 100 139,74 x 6,35	NERO - GIALLO - ROSSO - VERDE BLACK - YELLOW - RED - GREEN	139,74	6,35 1,52
KAP 100 139,74 x 12,7 0	NERO - GIALLO - ROSSO - VERDE BLACK - YELLOW - RED - GREEN	139,74	12,70 1,52
KAP 100 139,74 x 19,0 5	NERO - GIALLO - ROSSO - VERDE BLACK - YELLOW - RED - GREEN	139,74	19,05 1,52
KAP 100 139,74 x 25,4 1	NERO - GIALLO - ROSSO - VERDE BLACK - YELLOW - RED - GREEN	139,74	25,41 1,52
KAP 100 139,74 x 31,7 6	NERO - GIALLO - ROSSO - VERDE BLACK - YELLOW - RED - GREEN	139,74	31,76 1,52
KAP 100 139,74 x 38,1 1	NERO - GIALLO - ROSSO - VERDE BLACK - YELLOW - RED - GREEN	139,74	38,11 1,52
KAP 100 139,74 x 44,4 6	NERO - GIALLO - ROSSO - VERDE BLACK - YELLOW - RED - GREEN	139,74	44,46 1,52
KAP 100 139,74 x 50,8 1	NERO - GIALLO - ROSSO - VERDE BLACK - YELLOW - RED - GREEN	139,74	50,81 1,52





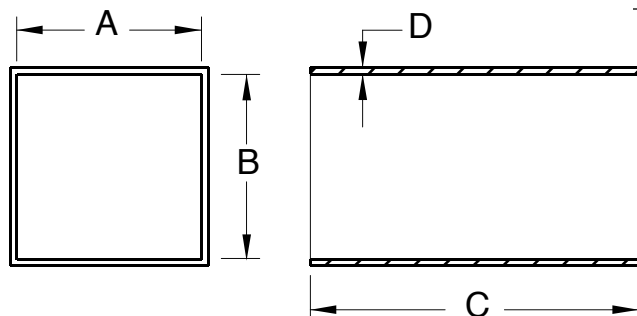
KAP 160

CAPPUCCIO DI PROTEZIONE QUADRATO
 SQUARE PROTECTION CAP

Materiale / Material: Plastisol o LD-PE/Plastisol or LD-PE

Colore / Colour: nero / black

Dimensioni / Dimensions: mm



RIFERIMENTO REFERENCE	COLORI STANDARD STANDARD COLOURS	AB	C	D	
KAP 160 6,35x6,35x50,8 1	NERO / BLACK	6,35	6,35	50,81	1,52
KAP 160 12,70x12,70x76,2 2	NERO / BLACK	12,70	12,70	76,22	1,52
KAP 160 15,88x15,88x76,2 2	NERO / BLACK	15,88	15,88	76,22	1,52
KAP 160 19,05x19,05x101,63	NERO / BLACK	19,05	19,05	101,63	1,52
KAP 160 25,41x25,41x95,2 7	NERO / BLACK	25,41	25,41	95,27	1,52
KAP 160 31,76x31,76x107,98	NERO / BLACK	31,76	31,76	107,98	1,52
KAP 160 38,11x38,11x50,8 1	NERO / BLACK	38,11	38,11	50,81	1,52
KAP 160 44,46x44,46x50,8 1	NERO / BLACK	44,46	44,46	50,81	1,52
KAP 160 47,64x47,64x101,63	NERO / BLACK	47,64	47,64	101,63	1,52
KAP 160 50,81x50,81x101,63	NERO / BLACK	50,81	50,81	101,63	1,52
KAP 160 88,92x88,92x101,63	NERO / BLACK	88,92	88,92	101,63	1,52
KAP 160 101,63x101,63x76,2 2	NERO / BLACK	101,63	101,63	76,22	1,52



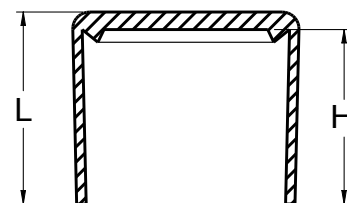
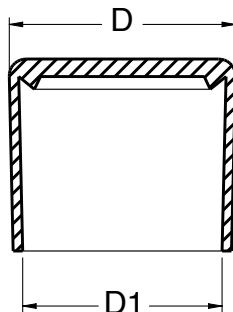




KAP 208-7042

CAPPUCCIO ROTONDO A PRESSIONE
ROUND PUSH-FIT CAP

Materiale / Material: LD-PE
Colore / Colour: grigio / grey
Dimensioni / Dimensions: mm



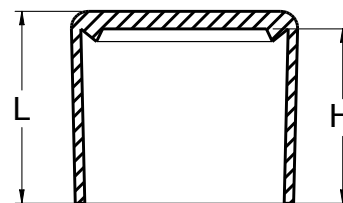
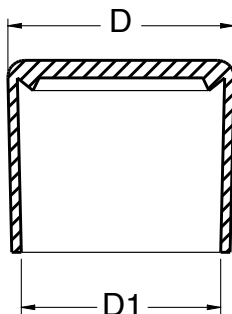
RIFERIMENTO REFERENCE		DD	1L		H
KAP 208-7042	3	5,5	2,9	8,8	7,9
KAP 208-7042	3, 3	5,5	3,2	8,8	7,6
KAP 208-7042	3, 5	5,5	3,5	8,8	7,2
KAP 208-7042	4	5,5	3,9	8,8	8,0
KAP 208-7042	5	7,5	5,0	8,0	6,7
KAP 208-7042	6	7,5	5,9	12,0	9,5
KAP 208-7042	6, 5	9,1	6,4	10,7	8,0
KAP 208-7042	7	9,1	6,9	10,7	8,0
KAP 208-7042	8	11,5	7,9	13,0	11,4
KAP 208-7042	10	13,4	9,7	14,6	12,1
KAP 208-7042	11	15,5	10,9	16,0	13,2
KAP 208-7042	12	15,5	11,9	16,2	12,9
KAP 208-7042	13	16,5	12,9	18,0	14,0
KAP 208-7042	14	17,0	13,7	16,0	13,2
KAP 208-7042	15	18,6	14,8	17,0	13,4
KAP 208-7042	16	19,7	15,9	21,2	17,0
KAP 208-7042	18	22,0	17,8	23,2	19,0
KAP 208-7042	19	22,3	18,8	23,2	19,2
KAP 208-7042	20	24,2	19,8	23,3	18,9
KAP 208-7042	21	26,4	21,0	27,1	21,4
KAP 208-7042	22	25,4	21,6	24,1	20,1
KAP 208-7042	24	28,4	23,7	27,5	21,1
KAP 208-7042	25	28,1	24,9	30,6	24,8
KAP 208-7042	26	32,3	26,0	30,0	25,3
KAP 208-7042	27	32,8	26,5	30,6	25,4
KAP 208-7042	28	32,8	27,5	28,8	23,9
KAP 208-7042	30	33,8	29,5	29,2	24,2



KAP 208-9003

CAPPUCCIO ROTONDO A PRESSIONE
ROUND PUSH-FIT CAP

Materiale / Material: LD-PE
Colore / Colour: bianco / white
Dimensioni / Dimensions: mm



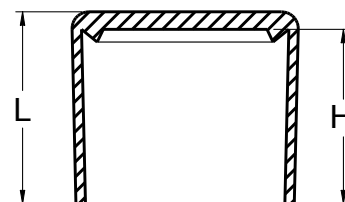
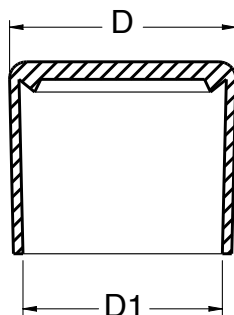
RIFERIMENTO REFERENCE		DD	1L		H
KAP 208-9003	3	5,5	2,9	8,8	7,9
KAP 208-9003	3, 3	5,5	3,2	8,8	7,6
KAP 208-9003	3, 5	5,5	3,5	8,8	7,2
KAP 208-9003	4	5,5	3,9	8,8	8,0
KAP 208-9003	5	7,5	5,0	8,0	6,7
KAP 208-9003	6	7,5	5,9	12,0	9,5
KAP 208-9003	6, 5	9,1	6,4	10,7	8,0
KAP 208-9003	7	9,1	6,9	10,7	8,0
KAP 208-9003	8	11,5	7,9	13,0	11,4
KAP 208-9003	10	13,4	9,7	14,6	12,1
KAP 208-9003	11	15,5	10,9	16,0	13,2
KAP 208-9003	12	15,5	11,9	16,2	12,9
KAP 208-9003	13	16,5	12,9	18,0	14,0
KAP 208-9003	14	17,0	13,7	16,0	13,2
KAP 208-9003	15	18,6	14,8	17,0	13,4
KAP 208-9003	16	19,7	15,9	21,2	17,0
KAP 208-9003	18	22,0	17,8	23,2	19,0
KAP 208-9003	19	22,3	18,8	23,2	19,2
KAP 208-9003	20	24,2	19,8	23,3	18,9
KAP 208-9003	21	26,4	21,0	27,1	21,4
KAP 208-9003	22	25,4	21,6	24,1	20,1
KAP 208-9003	24	28,4	23,7	27,5	21,1
KAP 208-9003	25	28,1	24,9	30,6	24,8
KAP 208-9003	26	32,3	26,0	30,0	25,3
KAP 208-9003	27	32,8	26,5	30,6	25,4
KAP 208-9003	28	32,8	27,5	28,8	23,9
KAP 208-9003	30	33,8	29,5	29,2	24,2



KAP 208-9005

CAPPUCCIO ROTONDO A PRESSIONE
ROUND PUSH-FIT CAP

Materiale / Material: LD-PE
Colore / Colour: nero / black
Dimensioni / Dimensions: mm



RIFERIMENTO REFERENCE	DD	1L	H	
KAP 208-9005 3	5,5	2,9	8,8	7,9
KAP 208-9005 3, 3	5,5	3,2	8,8	7,6
KAP 208-9005 3, 5	5,5	3,5	8,8	7,2
KAP 208-9005 4	5,5	3,9	8,8	8,0
KAP 208-9005 5	7,5	5,0	8,0	6,7
KAP 208-9005 6	7,5	5,9	12,0	9,5
KAP 208-9005 6, 5	9,1	6,4	10,7	8,0
KAP 208-9005 7	9,1	6,9	10,7	8,0
KAP 208-9005 8	11,5	7,9	13,0	11,4
KAP 208-9005 10	13,4	9,7	14,6	12,1
KAP 208-9005 11	15,5	10,9	16,0	13,2
KAP 208-9005 12	15,5	11,9	16,2	12,9
KAP 208-9005 13	16,5	12,9	18,0	14,0
KAP 208-9005 14	17,0	13,7	16,0	13,2
KAP 208-9005 15	18,6	14,8	17,0	13,4
KAP 208-9005 16	19,7	15,9	21,2	17,0
KAP 208-9005 18	22,0	17,8	23,2	19,0
KAP 208-9005 19	22,3	18,8	23,2	19,2
KAP 208-9005 20	24,2	19,8	23,3	18,9
KAP 208-9005 21	26,4	21,0	27,1	21,4
KAP 208-9005 22	25,4	21,6	24,1	20,1
KAP 208-9005 24	28,4	23,7	27,5	21,1
KAP 208-9005 25	28,1	24,9	30,6	24,8
KAP 208-9005 26	32,3	26,0	30,0	25,3
KAP 208-9005 27	32,8	26,5	30,6	25,4
KAP 208-9005 28	32,8	27,5	28,8	23,9
KAP 208-9005 30	33,8	29,5	29,2	24,2

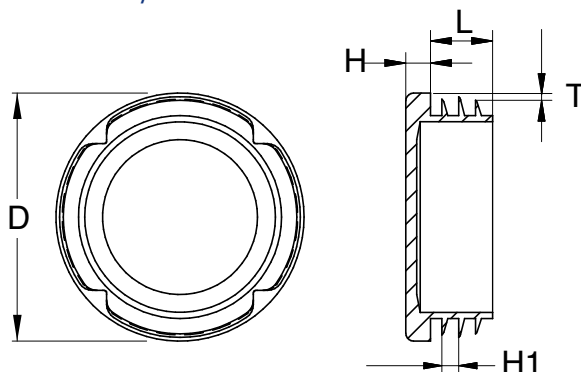




KAP 510-7042

TAPPO ROTONDO A LAMELLE A TESTA PIANA
 ROUND RIBBED PLUG WITH FLAT HEAD

Materiale / Material: LD-PE
 Colore / Colour: grigio / grey
 Dimensioni / Dimensions: mm



RIFERIMENTO REFERENCE		D	H	H1	L	T
KAP 510-7042	10 x 0,8-1,5	10 (9,9-25/64")	3,5	2,0	11,5	0,8-1,5
KAP 510-7042	12 x 0,8-2	12 (11,9-15/32")	3,5	2,5	11,5	0,8-2
KAP 510-7042	13 x 0,8-2	13 (12,7-1/2")	4,0	3,0	11,5	0,8-2
KAP 510-7042	14 x 0,8-2	14 (13,9-35/64")	5,0	3,0	11,5	0,8-2
KAP 510-7042	15 x 0,8-2	15 (15,1-19/32")	3,0	3,0	11,5	0,8-2
KAP 510-7042	16 x 0,8-2	16 (15,9-5/8")	5,0	3,0	11,5	0,8-2
KAP 510-7042	16 x 1,5-2,5	16 (15,9-5/8")	8,0	3,0	20,0	1,5-2,5
KAP 510-7042	18 x 0,25-1,5	18 (17,9-45/64")	5,0	3,0	11,5	0,25-1,5
KAP 510-7042	18 x 0,8-2,5	18 (17,9-45/64")	5,0	3,0	11,5	0,8-2,5
KAP 510-7042	18 x 2,5-3,5	18 (17,9-45/64")	5,0	3,0	11,5	2,5-3,5
KAP 510-7042	19 x 0,8-2,5	19 (19,1-3/4")	5,0	3,0	11,5	0,8-2,5
KAP 510-7042	20 x 0,8-2,5	20 (19,8-25/32")	5,0	3,0	11,5	0,8-2,5
KAP 510-7042	21 x 0,8-2,5	21 (53/64")	5,0	3,0	11,5	0,8-2,5
KAP 510-7042	22 x 0,8-3	22 (22,2-7/8")	5,0	3,0	11,5	0,8-3
KAP 510-7042	22 x 2-4	22 (22,2-7/8")	5,0	3,0	11,5	2-4
KAP 510-7042	23 x 0,8-3	23 (29/32")	5,0	3,0	11,5	0,8-3
KAP 510-7042	24 x 0,8-2,5	24 (23,8-15/16")	5,0	3,0	11,5	0,8-2,5
KAP 510-7042	25 x 1-3	25 (63/64")	5,0	3,0	11,5	1-3
KAP 510-7042	25 x 3-5	25 (63/64")	5,0	3,0	11,5	3-5
KAP 510-7042	25,4 x 1,2-3,2	25,4 (1")	5,0	3,0	11,5	1,2-3,2
KAP 510-7042	26 x 0,8-3	26 (25,8-1 1/64")	5,0	3,0	11,5	0,8-3
KAP 510-7042	27 x 0,8-3	27 (1 1/16")	5,0	3,0	11,5	0,8-3
KAP 510-7042	28 x 0,8-2,5	28 (27,8-1 3/32")	5,0	3,0	11,5	0,8-2,5
KAP 510-7042	30 x 0,8-2,5	30 (29,8-1 11/64")	5,0	3,0	11,5	0,8-2,5
KAP 510-7042	30 x 2,5-4,5	30 (29,8-1 11/64")	5,0	3,0	11,5	2,5-4,5
KAP 510-7042	32 x 0,8-3	32 (31,8-1 1/4")	5,0	3,0	11,5	0,8-3
KAP 510-7042	32 x 2,5-4,5	32 (31,8-1 1/4")	5,0	3,0	11,5	2,5-4,5



RIFERIMENTO REFERENCE		D	H	H1	L	T
KAP 510-7042	34 x 0,8-3	34 (34,1-1 11/32")	5,0	3,0	11,5	0,8-3
KAP 510-7042	34 x 3,5-4	34 (34,1-1 11/32")	5,0	3,0	11,5	3,5-4
KAP 510-7042	35 x 1-3	35 (34,9-1 3/8")	5,0	3,0	11,5	1-3
KAP 510-7042	35 x 3-5	35 (34,9-1 3/8")	5,0	3,0	11,5	3-5
KAP 510-7042	36 x 1-3	36 (36,1-1 27/64")	5,0	3,0	11,5	1-3
KAP 510-7042	37 x 1-3	37 (36,9-1 29/64")	5,0	3,0	11,5	1-3
KAP 510-7042	38 x 1-3	38 (38,1-1 1/2")	5,0	3,0	11,5	1-3
KAP 510-7042	38 x 3-5	38 (38,1-1 1/2")	5,0	3,0	11,5	3-5
KAP 510-7042	40 x 1-3	40 (40,1-1 37/64")	5,0	3,0	11,5	1-3
KAP 510-7042	40 x 3-5	40 (40,1-1 37/64")	5,0	3,0	11,5	3-5
KAP 510-7042	42 x 0,8-2,5	42 (42,1-1 21/32")	5,0	3,0	11,5	0,8-2,5
KAP 510-7042	42 x 2,5-5	42 (42,1-1 21/32")	5,0	3,0	11,5	2,5-5
KAP 510-7042	43 x 2-2,5	43 (42,9-1 11/16")	5,0	3,0	11,5	2-2,5
KAP 510-7042	43 x 3-3,5	43 (42,9-1 11/16")	5,0	3,0	11,5	3-3,5
KAP 510-7042	44,5 x 1,2-3,2	44,5 (1 3/4")	5,0	3,0	11,5	1,2-3,2
KAP 510-7042	45 x 0,8-3	45 (44,8-1 49/64")	5,0	3,0	11,5	0,8-3
KAP 510-7042	45 x 3-5	45 (44,8-1 49/64")	5,0	3,0	11,5	3-5
KAP 510-7042	46 x 1,5-3,5	46 (1 13/16")	5,0	3,0	11,5	1,5-3,5
KAP 510-7042	48,4 x 1,2-3,6	48,3 (1 29/32")	6,0	3,0	11,5	1,2-3,6
KAP 510-7042	48,4 x 2,5-5,2	48,3 (1 29/32")	6,0	3,0	11,5	2,5-5,2
KAP 510-7042	50 x 1-2,5	50 (1 31/32")	5,0	3,0	11,5	1-2,5
KAP 510-7042	50 x 2,5-4,5	50 (1 31/32")	5,0	3,0	11,5	2,5-4,5
KAP 510-7042	50 x 4,5-6,5	50 (1 31/32")	5,0	3,0	11,5	4,5-6,5
KAP 510-7042	50,8 x 1,2-3	50,8 (2")	5,0	3,0	11,5	1,2-3
KAP 510-7042	52 x 1,5-3,5	52 (2 3/64")	5,0	3,0	14,5	1,5-3,5
KAP 510-7042	55 x 1-3	55 (54,8-2 5/32")	5,0	3,0	14,5	1-3
KAP 510-7042	55 x 3-5	55 (54,8-2 5/32")	5,0	3,0	14,5	3-5
KAP 510-7042	57,2 x 1,2-2,7	57,2 (2 1/4")	5,0	3,0	14,5	1,2-2,7
KAP 510-7042	60 x 1-3	60 (59,9-2 23/64")	5,0	4,0	18,0	1-3
KAP 510-7042	60 x 3-5	60 (59,9-2 23/64")	5,0	4,0	18,0	3-5
KAP 510-7042	63,5 x 1,5-3,5	63,5 (2 1/2")	5,0	4,5	21,0	1,5-3,5
KAP 510-7042	65 x 1,5-3,5	65 (65,1-2 9/16")	5,0	4,5	21,0	1,5-3,5
KAP 510-7042	65 x 3-5	65 (65,1-2 9/16")	5,0	4,5	21,0	3-5
KAP 510-7042	70 x 1-3,5	70 (69,9-2 3/4")	5,0	4,5	21,0	1-3,5
KAP 510-7042	70 x 2-4,5	70 (69,9-2 3/4")	5,0	4,0	21,0	2-4,5
KAP 510-7042	75 x 1-3,5	75 (2 61/64")	6,0	4,5	21,0	1-3,5
KAP 510-7042	75 x 3-5	75 (2 61/64")	6,0	5,0	21,0	3-5
KAP 510-7042	76,2 x 1,5-4	76,2 (3")	6,0	4,5	21,0	1,5-4
KAP 510-7042	76,2 x 3,5-6	76,2 (3")	6,0	4,5	21,0	3,5-6
KAP 510-7042	80 x 1,5-3	80 (79,8-3 9/64")	4,0	5,0	21,0	1,5-3



RIFERIMENTO REFERENCE		DH	H	1L	T	
KAP 510-7042	80 x 3-5, 5	80 (79,8-3 9/64")	6,0	5,0	21,0	3-5,5
KAP 510-7042	82,6 x 2-4, 5	82,6 (3 1/4")	6,0	5,0	21,0	2-4,5
KAP 510-7042	85x1,5-4	85 (84,9-3 11/32")	6,0	5,0	21,0	1,5-4
KAP 510-7042	85 x 3,5- 6	85 (84,9-3 11/32")	6,0	4,5	21,0	3,5-6
KAP 510-7042	88,9 x 1,8- 4	88,9 (3 1/2")	6,0	4,5	21,0	1,8-4
KAP 510-7042	88,9 x 3,5- 6	88,9 (3 1/2")	6,0	4,5	21,0	3,5-6
KAP 510-7042	90 x 1,5- 4	90 (90,1-3 35/64")	6,0	4,5	21,0	1,5-4
KAP 510-7042	90 x 2,5- 5	90 (90,1-3 35/64")	5,0	4,5	20,0	2,5-5
KAP 510-7042	95 x 1,5- 4	95 (95,3-3 3/4")	6,0	4,5	21,0	1,5-4
KAP 510-7042	100 x 1,5- 4	100 (3 5/16")	6,0	5,0	28,0	1,5-4
KAP 510-7042	100 x 4-6, 5	100 (3 5/16")	6,0	5,0	28,0	4-6,5
KAP 510-7042	100 x 6,5- 9	100 (3 5/16")	6,0	5,0	28,0	6,5-9
KAP 510-7042	101,6 x 3,6- 6	101,6 (4")	6,0	5,0	28,0	3,6-6
KAP 510-7042	102 x 2- 4	102 (4 1/64")	5,0	6,0	20,0	2-4
KAP 510-7042	105 x 2-4, 5	105 (104,8-4 1/8")	6,0	5,0	28,0	2-4,5
KAP 510-7042	108 x 2,5-4, 5	108 (4 1/4")	6,0	5,0	28,0	2,5-4,5
KAP 510-7042	110 x 2-4, 5	110 (109,9- 4 21/64")	6,0	5,0	28,0	2-4,5
KAP 510-7042	114,3 x 3,2-5, 5	114,3 (4 1/2")	6,0	5,0	28,0	3,2-5,5
KAP 510-7042	120 x 2- 4	120 (119,9-4 23/32")	6,0	5,0	28,0	2-4
KAP 510-7042	125 x 1- 4	125 (4 59/64")	6,0	6,0	34,0	1-4
KAP 510-7042	125 x 2- 6	125 (4 59/64")	6,0	6,0	34,0	2-6
KAP 510-7042	125 x 4-7, 5	125 (4 59/64")	6,0	6,0	34,0	4-7,5
KAP 510-7042	127 x 3,2- 7	127 (5")	6,0	6,0	34,0	3,2-7
KAP 510-7042	130 x 2- 6	130 (129,8-5 7/64")	6,0	6,0	34,0	2-6
KAP 510-7042	133 x 2- 6	133 (5 15/64")	6,0	6,0	34,0	2-6
KAP 510-7042	140 x 2-6, 5	140 (139,7-5 1/2")	6,0	6,0	34,0	2-6,5
KAP 510-7042	150 x 2- 7	150 (5 29/32")	6,0	6,0	34,0	2-7
KAP 510-7042	152,4 x 3,2-7, 5	152,4 (6")	6,0	6,0	34,0	3,2-7,5
KAP 510-7042	159 x 2-6, 5	159 (158,8-6 1/4")	6,0	6,0	34,0	2-6,5
KAP 510-7042	160 x 2,5- 7	160 (159,9-6 19/64")	6,0	6,0	34,0	2,5-7
KAP 510-7042	165,1 x 3,2-7, 5	165,1 (6 1/2")	6,0	6,0	34,0	3,2-7,5
KAP 510-7042	168,3 x 2-6, 5	168,3 (6 5/8")	6,0	6,0	34,0	2-6,5
KAP 510-7042	177,8 x 3,2- 8	177,8 (7")	6,0	6,0	34,0	3,2-8
KAP 510-7042	193,7 x 2,9- 8	193,7 (7 5/8")	6,0	6,0	34,0	2,9-8
KAP 510-7042	219,1 x 3,2-6, 5	219,1 (8")	6,0	6,0	34,0	3,2-6,5



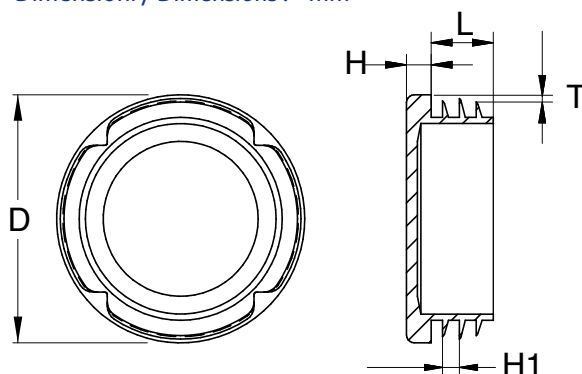
IMPERVIOUS
SMPERGO 111
SITI OF RA
10
EN 388
EN 124
CE
11142



KAP 510-9003

TAPPO ROTONDO A LAMELLE A TESTA PIANA
 ROUND RIBBED PLUG WITH FLAT HEAD

Materiale / Material: LD-PE
 Colore / Colour: bianco / white
 Dimensioni / Dimensions: mm



RIFERIMENTO REFERENCE		D	H	H1	L	T
KAP 510-9003	10 x 0,8-1,5	10 (9,9-25/64")	3,5	2,0	11,5	0,8-1,5
KAP 510-9003	12 x 0,8-2	12 (11,9-15/32")	3,5	2,5	11,5	0,8-2
KAP 510-9003	13 x 0,8-2	13 (12,7-1/2")	4,0	3,0	11,5	0,8-2
KAP 510-9003	14 x 0,8-2	14 (13,9-35/64")	5,0	3,0	11,5	0,8-2
KAP 510-9003	15 x 0,8-2	15 (15,1-19/32")	3,0	3,0	11,5	0,8-2
KAP 510-9003	16 x 0,8-2	16 (15,9-5/8")	5,0	3,0	11,5	0,8-2
KAP 510-9003	16 x 1,5-2,5	16 (15,9-5/8")	8,0	3,0	20,0	1,5-2,5
KAP 510-9003	18 x 0,25-1,5	18 (17,9-45/64")	5,0	3,0	11,5	0,25-1,5
KAP 510-9003	18 x 0,8-2,5	18 (17,9-45/64")	5,0	3,0	11,5	0,8-2,5
KAP 510-9003	18 x 2,5-3,5	18 (17,9-45/64")	5,0	3,0	11,5	2,5-3,5
KAP 510-9003	19 x 0,8-2,5	19 (19,1-3/4")	5,0	3,0	11,5	0,8-2,5
KAP 510-9003	20 x 0,8-2,5	20 (19,8-25/32")	5,0	3,0	11,5	0,8-2,5
KAP 510-9003	21 x 0,8-2,5	21 (53/64")	5,0	3,0	11,5	0,8-2,5
KAP 510-9003	22 x 0,8-3	22 (22,2-7/8")	5,0	3,0	11,5	0,8-3
KAP 510-9003	22 x 2-4	22 (22,2-7/8")	5,0	3,0	11,5	2-4
KAP 510-9003	23 x 0,8-3	23 (29/32")	5,0	3,0	11,5	0,8-3
KAP 510-9003	24 x 0,8-2,5	24 (23,8-15/16")	5,0	3,0	11,5	0,8-2,5
KAP 510-9003	25 x 1-3	25 (63/64")	5,0	3,0	11,5	1-3
KAP 510-9003	25 x 3-5	25 (63/64")	5,0	3,0	11,5	3-5
KAP 510-9003	25,4 x 1,2-3,2	25,4 (1")	5,0	3,0	11,5	1,2-3,2
KAP 510-9003	26 x 0,8-3	26 (25,8-1 1/64")	5,0	3,0	11,5	0,8-3
KAP 510-9003	27 x 0,8-3	27 (1 1/16")	5,0	3,0	11,5	0,8-3
KAP 510-9003	28 x 0,8-2,5	28 (27,8-1 3/32")	5,0	3,0	11,5	0,8-2,5
KAP 510-9003	30 x 0,8-2,5	30 (29,8-1 11/64")	5,0	3,0	11,5	0,8-2,5
KAP 510-9003	30 x 2,5-4,5	30 (29,8-1 11/64")	5,0	3,0	11,5	2,5-4,5
KAP 510-9003	32 x 0,8-3	32 (31,8-1 1/4")	5,0	3,0	11,5	0,8-3
KAP 510-9003	32 x 2,5-4,5	32 (31,8-1 1/4")	5,0	3,0	11,5	2,5-4,5



RIFERIMENTO REFERENCE		D	H	H1	L	T
KAP 510-9003	34 x 0,8-3	34 (34,1-1 11/32")	5,0	3,0	11,5	0,8-3
KAP 510-9003	34 x 3,5-4	34 (34,1-1 11/32")	5,0	3,0	11,5	3,5-4
KAP 510-9003	35 x 1-3	35 (34,9-1 3/8")	5,0	3,0	11,5	1-3
KAP 510-9003	35 x 3-5	35 (34,9-1 3/8")	5,0	3,0	11,5	3-5
KAP 510-9003	36 x 1-3	36 (36,1-1 27/64")	5,0	3,0	11,5	1-3
KAP 510-9003	37 x 1-3	37 (36,9-1 29/64")	5,0	3,0	11,5	1-3
KAP 510-9003	38 x 1-3	38 (38,1-1 1/2")	5,0	3,0	11,5	1-3
KAP 510-9003	38 x 3-5	38 (38,1-1 1/2")	5,0	3,0	11,5	3-5
KAP 510-9003	40 x 1-3	40 (40,1-1 37/64")	5,0	3,0	11,5	1-3
KAP 510-9003	40 x 3-5	40 (40,1-1 37/64")	5,0	3,0	11,5	3-5
KAP 510-9003	42 x 0,8-2,5	42 (42,1-1 21/32")	5,0	3,0	11,5	0,8-2,5
KAP 510-9003	42 x 2,5-5	42 (42,1-1 21/32")	5,0	3,0	11,5	2,5-5
KAP 510-9003	43 x 2-2,5	43 (42,9-1 11/16")	5,0	3,0	11,5	2-2,5
KAP 510-9003	43 x 3-3,5	43 (42,9-1 11/16")	5,0	3,0	11,5	3-3,5
KAP 510-9003	44,5 x 1,2-3,2	44,5 (1 3/4")	5,0	3,0	11,5	1,2-3,2
KAP 510-9003	45 x 0,8-3	45 (44,8-1 49/64")	5,0	3,0	11,5	0,8-3
KAP 510-9003	45 x 3-5	45 (44,8-1 49/64")	5,0	3,0	11,5	3-5
KAP 510-9003	46 x 1,5-3,5	46 (1 13/16")	5,0	3,0	11,5	1,5-3,5
KAP 510-9003	48,4 x 1,2-3,6	48,3 (1 29/32")	6,0	3,0	11,5	1,2-3,6
KAP 510-9003	48,4 x 2,5-5,2	48,3 (1 29/32")	6,0	3,0	11,5	2,5-5,2
KAP 510-9003	50 x 1-2,5	50 (1 31/32")	5,0	3,0	11,5	1-2,5
KAP 510-9003	50 x 2,5-4,5	50 (1 31/32")	5,0	3,0	11,5	2,5-4,5
KAP 510-9003	50 x 4,5-6,5	50 (1 31/32")	5,0	3,0	11,5	4,5-6,5
KAP 510-9003	50,8 x 1,2-3	50,8 (2")	5,0	3,0	11,5	1,2-3
KAP 510-9003	52 x 1,5-3,5	52 (2 3/64")	5,0	3,0	14,5	1,5-3,5
KAP 510-9003	55 x 1-3	55 (54,8-2 5/32")	5,0	3,0	14,5	1-3
KAP 510-9003	55 x 3-5	55 (54,8-2 5/32")	5,0	3,0	14,5	3-5
KAP 510-9003	57,2 x 1,2-2,7	57,2 (2 1/4")	5,0	3,0	14,5	1,2-2,7
KAP 510-9003	60 x 1-3	60 (59,9-2 23/64")	5,0	4,0	18,0	1-3
KAP 510-9003	60 x 3-5	60 (59,9-2 23/64")	5,0	4,0	18,0	3-5
KAP 510-9003	63,5 x 1,5-3,5	63,5 (2 1/2")	5,0	4,5	21,0	1,5-3,5
KAP 510-9003	65 x 1,5-3,5	65 (65,1-2 9/16")	5,0	4,5	21,0	1,5-3,5
KAP 510-9003	65 x 3-5	65 (65,1-2 9/16")	5,0	4,5	21,0	3-5
KAP 510-9003	70 x 1-3,5	70 (69,9-2 3/4")	5,0	4,5	21,0	1-3,5
KAP 510-9003	70 x 2-4,5	70 (69,9-2 3/4")	5,0	4,0	21,0	2-4,5
KAP 510-9003	75 x 1-3,5	75 (2 61/64")	6,0	4,5	21,0	1-3,5
KAP 510-9003	75 x 3-5	75 (2 61/64")	6,0	5,0	21,0	3-5
KAP 510-9003	76,2 x 1,5-4	76,2 (3")	6,0	4,5	21,0	1,5-4
KAP 510-9003	76,2 x 3,5-6	76,2 (3")	6,0	4,5	21,0	3,5-6
KAP 510-9003	80 x 1,5-3	80 (79,8-3 9/64")	4,0	5,0	21,0	1,5-3



RIFERIMENTO REFERENCE		DH	H	1L	T	
KAP 510-9003	80 x 3-5, 5	80 (79,8-3 9/64")	6,0	5,0	21,0	3-5,5
KAP 510-9003	82,6 x 2-4, 5	82,6 (3 1/4")	6,0	5,0	21,0	2-4,5
KAP 510-9003	85x1,5-4	85 (84,9-3 11/32")	6,0	5,0	21,0	1,5-4
KAP 510-9003	85 x 3,5- 6	85 (84,9-3 11/32")	6,0	4,5	21,0	3,5-6
KAP 510-9003	88,9 x 1,8- 4	88,9 (3 1/2")	6,0	4,5	21,0	1,8-4
KAP 510-9003	88,9 x 3,5- 6	88,9 (3 1/2")	6,0	4,5	21,0	3,5-6
KAP 510-9003	90 x 1,5- 4	90 (90,1-3 35/64")	6,0	4,5	21,0	1,5-4
KAP 510-9003	90 x 2,5- 5	90 (90,1-3 35/64")	5,0	4,5	20,0	2,5-5
KAP 510-9003	95 x 1,5- 4	95 (95,3-3 3/4")	6,0	4,5	21,0	1,5-4
KAP 510-9003	100 x 1,5- 4	100 (3 5/16")	6,0	5,0	28,0	1,5-4
KAP 510-9003	100 x 4-6, 5	100 (3 5/16")	6,0	5,0	28,0	4-6,5
KAP 510-9003	100 x 6,5- 9	100 (3 5/16")	6,0	5,0	28,0	6,5-9
KAP 510-9003	101,6 x 3,6- 6	101,6 (4")	6,0	5,0	28,0	3,6-6
KAP 510-9003	102 x 2- 4	102 (4 1/64")	5,0	6,0	20,0	2-4
KAP 510-9003	105 x 2-4, 5	105 (104,8-4 1/8")	6,0	5,0	28,0	2-4,5
KAP 510-9003	108 x 2,5-4, 5	108 (4 1/4")	6,0	5,0	28,0	2,5-4,5
KAP 510-9003	110 x 2-4, 5	110 (109,9- 4 21/64")	6,0	5,0	28,0	2-4,5
KAP 510-9003	114,3 x 3,2-5, 5	114,3 (4 1/2")	6,0	5,0	28,0	3,2-5,5
KAP 510-9003	120 x 2- 4	120 (119,9-4 23/32")	6,0	5,0	28,0	2-4
KAP 510-9003	125 x 1- 4	125 (4 59/64")	6,0	6,0	34,0	1-4
KAP 510-9003	125 x 2- 6	125 (4 59/64")	6,0	6,0	34,0	2-6
KAP 510-9003	125 x 4-7, 5	125 (4 59/64")	6,0	6,0	34,0	4-7,5
KAP 510-9003	127 x 3,2- 7	127 (5")	6,0	6,0	34,0	3,2-7
KAP 510-9003	130 x 2- 6	130 (129,8-5 7/64")	6,0	6,0	34,0	2-6
KAP 510-9003	133 x 2- 6	133 (5 15/64")	6,0	6,0	34,0	2-6
KAP 510-9003	140 x 2-6, 5	140 (139,7-5 1/2")	6,0	6,0	34,0	2-6,5
KAP 510-9003	150 x 2- 7	150 (5 29/32")	6,0	6,0	34,0	2-7
KAP 510-9003	152,4 x 3,2-7, 5	152,4 (6")	6,0	6,0	34,0	3,2-7,5
KAP 510-9003	159 x 2-6, 5	159 (158,8-6 1/4")	6,0	6,0	34,0	2-6,5
KAP 510-9003	160 x 2,5- 7	160 (159,9-6 19/64")	6,0	6,0	34,0	2,5-7
KAP 510-9003	165,1 x 3,2-7, 5	165,1 (6 1/2")	6,0	6,0	34,0	3,2-7,5
KAP 510-9003	168,3 x 2-6, 5	168,3 (6 5/8")	6,0	6,0	34,0	2-6,5
KAP 510-9003	177,8 x 3,2- 8	177,8 (7")	6,0	6,0	34,0	3,2-8
KAP 510-9003	193,7 x 2,9- 8	193,7 (7 5/8")	6,0	6,0	34,0	2,9-8
KAP 510-9003	219,1 x 3,2-6, 5	219,1 (8")	6,0	6,0	34,0	3,2-6,5

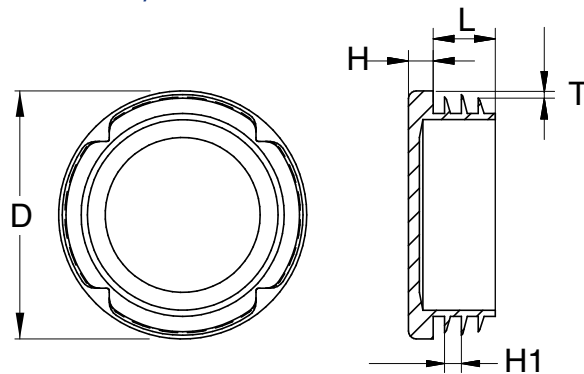




KAP 510-9005

TAPPO ROTONDO A LAMELLE A TESTA PIANA
 ROUND RIBBED PLUG WITH FLAT HEAD

Materiale / Material: LD-PE
 Colore / Colour: nero / black
 Dimensioni / Dimensions: mm



RIFERIMENTO REFERENCE		D	H	H1	L	T
KAP 510-9005	10 x 0,8-1,5	10 (9,9-25/64")	3,5	2,0	11,5	0,8-1,5
KAP 510-9005	12 x 0,8-2	12 (11,9-15/32")	3,5	2,5	11,5	0,8-2
KAP 510-9005	13 x 0,8-2	13 (12,7-1/2")	4,0	3,0	11,5	0,8-2
KAP 510-9005	14 x 0,8-2	14 (13,9-35/64")	5,0	3,0	11,5	0,8-2
KAP 510-9005	15 x 0,8-2	15 (15,1-19/32")	3,0	3,0	11,5	0,8-2
KAP 510-9005	16 x 0,8-2	16 (15,9-5/8")	5,0	3,0	11,5	0,8-2
KAP 510-9005	16 x 1,5-2,5	16 (15,9-5/8")	8,0	3,0	20,0	1,5-2,5
KAP 510-9005	18 x 0,25-1,5	18 (17,9-45/64")	5,0	3,0	11,5	0,25-1,5
KAP 510-9005	18 x 0,8-2,5	18 (17,9-45/64")	5,0	3,0	11,5	0,8-2,5
KAP 510-9005	18 x 2,5-3,5	18 (17,9-45/64")	5,0	3,0	11,5	2,5-3,5
KAP 510-9005	19 x 0,8-2,5	19 (19,1-3/4")	5,0	3,0	11,5	0,8-2,5
KAP 510-9005	20 x 0,8-2,5	20 (19,8-25/32")	5,0	3,0	11,5	0,8-2,5
KAP 510-9005	21 x 0,8-2,5	21 (53/64")	5,0	3,0	11,5	0,8-2,5
KAP 510-9005	22 x 0,8-3	22 (22,2-7/8")	5,0	3,0	11,5	0,8-3
KAP 510-9005	22 x 2-4	22 (22,2-7/8")	5,0	3,0	11,5	2-4
KAP 510-9005	23 x 0,8-3	23 (29/32")	5,0	3,0	11,5	0,8-3
KAP 510-9005	24 x 0,8-2,5	24 (23,8-15/16")	5,0	3,0	11,5	0,8-2,5
KAP 510-9005	25 x 1-3	25 (63/64")	5,0	3,0	11,5	1-3
KAP 510-9005	25 x 3-5	25 (63/64")	5,0	3,0	11,5	3-5
KAP 510-9005	25,4 x 1,2-3,2	25,4 (1")	5,0	3,0	11,5	1,2-3,2
KAP 510-9005	26 x 0,8-3	26 (25,8-1 1/64")	5,0	3,0	11,5	0,8-3
KAP 510-9005	27 x 0,8-3	27 (1 1/16")	5,0	3,0	11,5	0,8-3
KAP 510-9005	28 x 0,8-2,5	28 (27,8-1 3/32")	5,0	3,0	11,5	0,8-2,5
KAP 510-9005	30 x 0,8-2,5	30 (29,8-1 11/64")	5,0	3,0	11,5	0,8-2,5
KAP 510-9005	30 x 2,5-4,5	30 (29,8-1 11/64")	5,0	3,0	11,5	2,5-4,5
KAP 510-9005	32 x 0,8-3	32 (31,8-1 1/4")	5,0	3,0	11,5	0,8-3
KAP 510-9005	32 x 2,5-4,5	32 (31,8-1 1/4")	5,0	3,0	11,5	2,5-4,5



RIFERIMENTO REFERENCE	D	H	H1	L	T
KAP 510-9005 34 x 0,8-3	34 (34,1-1 11/32")	5,0	3,0	11,5	0,8-3
KAP 510-9005 34 x 3,5-4	34 (34,1-1 11/32")	5,0	3,0	11,5	3,5-4
KAP 510-9005 35 x 1-3	35 (34,9-1 3/8")	5,0	3,0	11,5	1-3
KAP 510-9005 35 x 3-5	35 (34,9-1 3/8")	5,0	3,0	11,5	3-5
KAP 510-9005 36 x 1-3	36 (36,1-1 27/64")	5,0	3,0	11,5	1-3
KAP 510-9005 37 x 1-3	37 (36,9-1 29/64")	5,0	3,0	11,5	1-3
KAP 510-9005 38 x 1-3	38 (38,1-1 1/2")	5,0	3,0	11,5	1-3
KAP 510-9005 38 x 3-5	38 (38,1-1 1/2")	5,0	3,0	11,5	3-5
KAP 510-9005 40 x 1-3	40 (40,1-1 37/64")	5,0	3,0	11,5	1-3
KAP 510-9005 40 x 3-5	40 (40,1-1 37/64")	5,0	3,0	11,5	3-5
KAP 510-9005 42 x 0,8-2,5	42 (42,1-1 21/32")	5,0	3,0	11,5	0,8-2,5
KAP 510-9005 42 x 2,5-5	42 (42,1-1 21/32")	5,0	3,0	11,5	2,5-5
KAP 510-9005 43 x 2-2,5	43 (42,9-1 11/16")	5,0	3,0	11,5	2-2,5
KAP 510-9005 43 x 3-3,5	43 (42,9-1 11/16")	5,0	3,0	11,5	3-3,5
KAP 510-9005 44,5 x 1,2-3,2	44,5 (1 3/4")	5,0	3,0	11,5	1,2-3,2
KAP 510-9005 45 x 0,8-3	45 (44,8-1 49/64")	5,0	3,0	11,5	0,8-3
KAP 510-9005 45 x 3-5	45 (44,8-1 49/64")	5,0	3,0	11,5	3-5
KAP 510-9005 46 x 1,5-3,5	46 (1 13/16")	5,0	3,0	11,5	1,5-3,5
KAP 510-9005 48,4 x 1,2-3,6	48,3 (1 29/32")	6,0	3,0	11,5	1,2-3,6
KAP 510-9005 48,4 x 2,5-5,2	48,3 (1 29/32")	6,0	3,0	11,5	2,5-5,2
KAP 510-9005 50 x 1-2,5	50 (1 31/32")	5,0	3,0	11,5	1-2,5
KAP 510-9005 50 x 2,5-4,5	50 (1 31/32")	5,0	3,0	11,5	2,5-4,5
KAP 510-9005 50 x 4,5-6,5	50 (1 31/32")	5,0	3,0	11,5	4,5-6,5
KAP 510-9005 50,8 x 1,2-3	50,8 (2")	5,0	3,0	11,5	1,2-3
KAP 510-9005 52 x 1,5-3,5	52 (2 3/64")	5,0	3,0	14,5	1,5-3,5
KAP 510-9005 55 x 1-3	55 (54,8-2 5/32")	5,0	3,0	14,5	1-3
KAP 510-9005 55 x 3-5	55 (54,8-2 5/32")	5,0	3,0	14,5	3-5
KAP 510-9005 57,2 x 1,2-2,7	57,2 (2 1/4")	5,0	3,0	14,5	1,2-2,7
KAP 510-9005 60 x 1-3	60 (59,9-2 23/64")	5,0	4,0	18,0	1-3
KAP 510-9005 60 x 3-5	60 (59,9-2 23/64")	5,0	4,0	18,0	3-5
KAP 510-9005 63,5 x 1,5-3,5	63,5 (2 1/2")	5,0	4,5	21,0	1,5-3,5
KAP 510-9005 65 x 1,5-3,5	65 (65,1-2 9/16")	5,0	4,5	21,0	1,5-3,5
KAP 510-9005 65 x 3-5	65 (65,1-2 9/16")	5,0	4,5	21,0	3-5
KAP 510-9005 70 x 1-3,5	70 (69,9-2 3/4")	5,0	4,5	21,0	1-3,5
KAP 510-9005 70 x 2-4,5	70 (69,9-2 3/4")	5,0	4,0	21,0	2-4,5
KAP 510-9005 75 x 1-3,5	75 (2 61/64")	6,0	4,5	21,0	1-3,5
KAP 510-9005 75 x 3-5	75 (2 61/64")	6,0	5,0	21,0	3-5
KAP 510-9005 76,2 x 1,5-4	76,2 (3")	6,0	4,5	21,0	1,5-4
KAP 510-9005 76,2 x 3,5-6	76,2 (3")	6,0	4,5	21,0	3,5-6
KAP 510-9005 80 x 1,5-3	80 (79,8-3 9/64")	4,0	5,0	21,0	1,5-3



RIFERIMENTO REFERENCE		DH	H	1L	T	
KAP 510-9005	80 x 3-5, 5	80 (79,8-3 9/64")	6,0	5,0	21,0	3-5,5
KAP 510-9005	82,6 x 2-4, 5	82,6 (3 1/4")	6,0	5,0	21,0	2-4,5
KAP 510-9005	85x1,5-4	85 (84,9-3 11/32")	6,0	5,0	21,0	1,5-4
KAP 510-9005	85 x 3,5- 6	85 (84,9-3 11/32")	6,0	4,5	21,0	3,5-6
KAP 510-9005	88,9 x 1,8- 4	88,9 (3 1/2")	6,0	4,5	21,0	1,8-4
KAP 510-9005	88,9 x 3,5- 6	88,9 (3 1/2")	6,0	4,5	21,0	3,5-6
KAP 510-9005	90 x 1,5- 4	90 (90,1-3 35/64")	6,0	4,5	21,0	1,5-4
KAP 510-9005	90 x 2,5- 5	90 (90,1-3 35/64")	5,0	4,5	20,0	2,5-5
KAP 510-9005	95 x 1,5- 4	95 (95,3-3 3/4")	6,0	4,5	21,0	1,5-4
KAP 510-9005	100 x 1,5- 4	100 (3 5/16")	6,0	5,0	28,0	1,5-4
KAP 510-9005	100 x 4-6, 5	100 (3 5/16")	6,0	5,0	28,0	4-6,5
KAP 510-9005	100 x 6,5- 9	100 (3 5/16")	6,0	5,0	28,0	6,5-9
KAP 510-9005	101,6 x 3,6- 6	101,6 (4")	6,0	5,0	28,0	3,6-6
KAP 510-9005	102 x 2- 4	102 (4 1/64")	5,0	6,0	20,0	2-4
KAP 510-9005	105 x 2-4, 5	105 (104,8-4 1/8")	6,0	5,0	28,0	2-4,5
KAP 510-9005	108 x 2,5-4, 5	108 (4 1/4")	6,0	5,0	28,0	2,5-4,5
KAP 510-9005	110 x 2-4, 5	110 (109,9- 4 21/64")	6,0	5,0	28,0	2-4,5
KAP 510-9005	114,3 x 3,2-5, 5	114,3 (4 1/2")	6,0	5,0	28,0	3,2-5,5
KAP 510-9005	120 x 2- 4	120 (119,9-4 23/32")	6,0	5,0	28,0	2-4
KAP 510-9005	125 x 1- 4	125 (4 59/64")	6,0	6,0	34,0	1-4
KAP 510-9005	125 x 2- 6	125 (4 59/64")	6,0	6,0	34,0	2-6
KAP 510-9005	125 x 4-7, 5	125 (4 59/64")	6,0	6,0	34,0	4-7,5
KAP 510-9005	127 x 3,2- 7	127 (5")	6,0	6,0	34,0	3,2-7
KAP 510-9005	130 x 2- 6	130 (129,8-5 7/64")	6,0	6,0	34,0	2-6
KAP 510-9005	133 x 2- 6	133 (5 15/64")	6,0	6,0	34,0	2-6
KAP 510-9005	140 x 2-6, 5	140 (139,7-5 1/2")	6,0	6,0	34,0	2-6,5
KAP 510-9005	150 x 2- 7	150 (5 29/32")	6,0	6,0	34,0	2-7
KAP 510-9005	152,4 x 3,2-7, 5	152,4 (6")	6,0	6,0	34,0	3,2-7,5
KAP 510-9005	159 x 2-6, 5	159 (158,8-6 1/4")	6,0	6,0	34,0	2-6,5
KAP 510-9005	160 x 2,5- 7	160 (159,9-6 19/64")	6,0	6,0	34,0	2,5-7
KAP 510-9005	165,1 x 3,2-7, 5	165,1 (6 1/2")	6,0	6,0	34,0	3,2-7,5
KAP 510-9005	168,3 x 2-6, 5	168,3 (6 5/8")	6,0	6,0	34,0	2-6,5
KAP 510-9005	177,8 x 3,2- 8	177,8 (7")	6,0	6,0	34,0	3,2-8
KAP 510-9005	193,7 x 2,9- 8	193,7 (7 5/8")	6,0	6,0	34,0	2,9-8
KAP 510-9005	219,1 x 3,2-6, 5	219,1 (8")	6,0	6,0	34,0	3,2-6,5

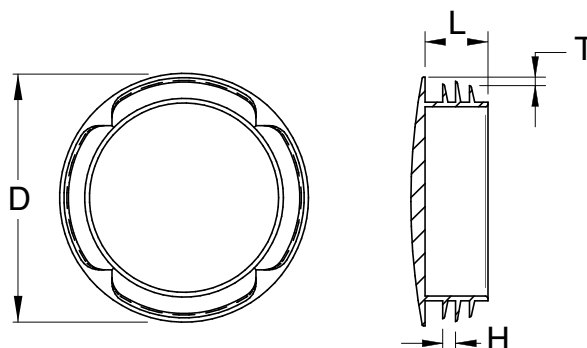




KAP 520-7042

TAPPO ROTONDO A LAMELLE A TESTA SOTTILE
 ROUND RIBBED PLUG WITH SLIM HEAD

Materiale / Material: LD-PE
 Colore / Colour: grigio / grey
 Dimensioni / Dimensions: mm



RIFERIMENTO REFERENCE		D	H	L	T
KAP 520-7042	10x0,8-1,5	10 (9,9-25/54")	2,0	11,5	0,8-1,5
KAP 520-7042	12x0,8-1,5	12 (11,9-15/32")	2,0	11,5	0,8-1,5
KAP 520-7042	13x0,8-2	13 (12,7-1/2")	3,0	11,5	0,8-2
KAP 520-7042	14x0,8-2	14 (13,9-35/64")	3,0	11,5	0,8-2
KAP 520-7042	15x0,8-2	15 (15,1-19/32")	3,0	11,5	0,8-2
KAP 520-7042	16x0,8-2	16 (15,9-5/8")	3,0	11,5	0,8-2
KAP 520-7042	18x0,25-1,5	18 (17,9-45/64")	3,0	11,5	0,25-1,5
KAP 520-7042	18x0,8-2	18 (17,9-45/64")	3,0	11,5	0,8-2
KAP 520-7042	18x2,5-3,5	18 (17,9-45/64")	3,0	11,5	2,5-3,5
KAP 520-7042	19x0,8-2,5	19 (19,1-3/4")	3,0	11,5	0,8-2,5
KAP 520-7042	20x0,8-2,5	20 (19,8-25/32")	3,0	11,5	0,8-2,5
KAP 520-7042	21x0,8-2,5	21 (53/64")	3,0	11,5	0,8-2,5
KAP 520-7042	22x0,8-3	22 (22,2-7/8")	3,0	11,5	0,8-3
KAP 520-7042	22x 2-4	22 (22,2-7/8")	3,0	11,5	2-4
KAP 520-7042	23x0,8-3	23 (29/32")	3,0	11,5	0,8-3
KAP 520-7042	24x0,8-2,5	24 (23,8-15/16")	3,0	11,5	0,8-2,5
KAP 520-7042	25x1-2,5	25 (63/64")	3,0	11,5	1-2,5
KAP 520-7042	25x3-5	25 (63/64")	3,0	11,5	3-5
KAP 520-7042	25,4x1,2-3,2	25,4 (1")	3,0	11,5	1,2-3,2
KAP 520-7042	26x0,8-3	26 (25,8-1 1/64")	3,0	11,5	0,8-3
KAP 520-7042	27x0,8-3	27 (1 1/16")	3,0	11,5	0,8-3
KAP 520-7042	28x0,8-2,5	28 (27,8-1 3/32")	3,0	11,5	0,8-2,5
KAP 520-7042	30x0,8-2,5	30 (29,8-1 11/64")	3,0	11,5	0,8-2,5
KAP 520-7042	30x2,5-4,5	30 (29,8-1 11/64")	3,0	11,5	2,5-4,5
KAP 520-7042	32x0,8-2,5	32 (31,8-1 1/4")	3,0	11,5	0,8-2,5



RIFERIMENTO REFERENCE	DL	H	T
KAP 520-7042 32x2,5-4, 5	32 (31,8-1 1/4")	3,0	11,5 2,5-4,5
KAP 520-7042 34x0,8- 3	34 (34,1-1 11/32")	3,0	11,5 0,8-3
KAP 520-7042 35x1- 3	35 (34,9-1 3/8")	3,0	11,5 1-3
KAP 520-7042 38x1- 3	38 (38,1-1 1/2")	3,0	11,5 1-3
KAP 520-7042 40x1- 3	40 (40,1-1 37/64")	3,0	11,5 1-3
KAP 520-7042 42x0,8-2, 5	42 (42,1-1 21/32")	3,0	11,5 0,8-2,5
KAP 520-7042 44,5x1,2-2, 7	44,5 (1 3/4")	3,0	11,5 1,2-2,7
KAP 520-7042 45x0,8-2, 5	45 (44,8-1 49/64")	3,0	11,5 0,8-2,5
KAP 520-7042 48,4x1,2- 3	48,4 (1 29/32")	3,0	11,5 1,2-3
KAP 520-7042 50x1-2, 5	50 (1 31/32")	3,0	11,5 1-2,5
KAP 520-7042 55x1-2, 5	55 (54,8-2 5/32")	3,0	14,5 1-2,5
KAP 520-7042 57,2x1,2-2, 7	57,2 (2 1/4")	3,0	14,5 1,2-2,7
KAP 520-7042 60x1- 2	60 (59,9-1 23/64")	4,0	18,0 1-2
KAP 520-7042 65x1,5-3, 5	65 (65,1-2 9/16")	4,5	21,0 1,5-3,5
KAP 520-7042 70x1- 3	70 (69,9-2 3/4")	4,5	21,0 1-3
KAP 520-7042 75x1-2, 5	75 (2 61/64")	4,5	21,0 1-2,5
KAP 520-7042 76,2x1,5-3, 5	76,2 (3")	4,5	21,0 1,5-3,5
KAP 520-7042 80x1- 3	80 (79,8-3 9/64")	4,5	21,0 1-3
KAP 520-7042 85x1,5- 3	85 (84,9-3 11/32")	4,5	21,0 1,5-3
KAP 520-7042 88,9x1,8-3, 5	88,9 (3 1/2")	4,5	21,0 1,8-3,5

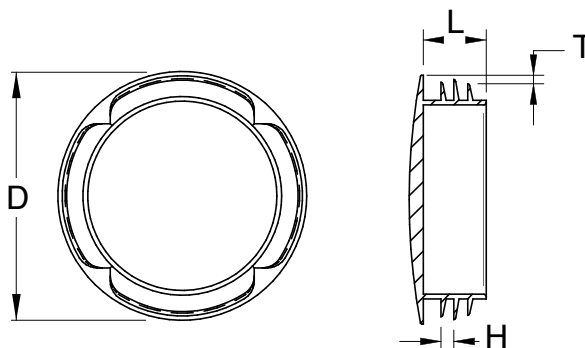




KAP 520-9003

TAPPO ROTONDO A LAMELLE A TESTA SOTTILE
 ROUND RIBBED PLUG WITH SLIM HEAD

Materiale / Material: LD-PE
 Colore / Colour: bianco / white
 Dimensioni / Dimensions: mm



RIFERIMENTO REFERENCE		D	H	L	T
KAP 520-9003	10x0,8-1,5	10 (9,9-25/54")	2,0	11,5	0,8-1,5
KAP 520-9003	12x0,8-1,5	12 (11,9-15/32")	2,0	11,5	0,8-1,5
KAP 520-9003	13x0,8-2	13 (12,7-1/2")	3,0	11,5	0,8-2
KAP 520-9003	14x0,8-2	14 (13,9-35/64")	3,0	11,5	0,8-2
KAP 520-9003	15x0,8-2	15 (15,1-19/32")	3,0	11,5	0,8-2
KAP 520-9003	16x0,8-2	16 (15,9-5/8")	3,0	11,5	0,8-2
KAP 520-9003	18x0,25-1,5	18 (17,9-45/64")	3,0	11,5	0,25-1,5
KAP 520-9003	18x0,8-2	18 (17,9-45/64")	3,0	11,5	0,8-2
KAP 520-9003	18x2,5-3,5	18 (17,9-45/64")	3,0	11,5	2,5-3,5
KAP 520-9003	19x0,8-2,5	19 (19,1-3/4")	3,0	11,5	0,8-2,5
KAP 520-9003	20x0,8-2,5	20 (19,8-25/32")	3,0	11,5	0,8-2,5
KAP 520-9003	21x0,8-2,5	21 (53/64")	3,0	11,5	0,8-2,5
KAP 520-9003	22x0,8-3	22 (22,2-7/8")	3,0	11,5	0,8-3
KAP 520-9003	22x 2-4	22 (22,2-7/8")	3,0	11,5	2-4
KAP 520-9003	23x0,8-3	23 (29/32")	3,0	11,5	0,8-3
KAP 520-9003	24x0,8-2,5	24 (23,8-15/16")	3,0	11,5	0,8-2,5
KAP 520-9003	25x1-2,5	25 (63/64")	3,0	11,5	1-2,5
KAP 520-9003	25x3-5	25 (63/64")	3,0	11,5	3-5
KAP 520-9003	25,4x1,2-3,2	25,4 (1")	3,0	11,5	1,2-3,2
KAP 520-9003	26x0,8-3	26 (25,8-1 1/64")	3,0	11,5	0,8-3
KAP 520-9003	27x0,8-3	27 (1 1/16")	3,0	11,5	0,8-3
KAP 520-9003	28x0,8-2,5	28 (27,8-1 3/32")	3,0	11,5	0,8-2,5
KAP 520-9003	30x0,8-2,5	30 (29,8-1 11/64")	3,0	11,5	0,8-2,5
KAP 520-9003	30x2,5-4,5	30 (29,8-1 11/64")	3,0	11,5	2,5-4,5
KAP 520-9003	32x0,8-2,5	32 (31,8-1 1/4")	3,0	11,5	0,8-2,5



RIFERIMENTO REFERENCE		DL	H		T
KAP 520-9003	32x2,5-4, 5	32 (31,8-1 1/4")	3,0	11,5	2,5-4,5
KAP 520-9003	34x0,8- 3	34 (34,1-1 11/32")	3,0	11,5	0,8-3
KAP 520-9003	35x1- 3	35 (34,9-1 3/8")	3,0	11,5	1-3
KAP 520-9003	38x1- 3	38 (38,1-1 1/2")	3,0	11,5	1-3
KAP 520-9003	40x1- 3	40 (40,1-1 37/64")	3,0	11,5	1-3
KAP 520-9003	42x0,8-2, 5	42 (42,1-1 21/32")	3,0	11,5	0,8-2,5
KAP 520-9003	44,5x1,2-2, 7	44,5 (1 3/4")	3,0	11,5	1,2-2,7
KAP 520-9003	45x0,8-2, 5	45 (44,8-1 49/64")	3,0	11,5	0,8-2,5
KAP 520-9003	48,4x1,2- 3	48,4 (1 29/32")	3,0	11,5	1,2-3
KAP 520-9003	50x1-2, 5	50 (1 31/32")	3,0	11,5	1-2,5
KAP 520-9003	55x1-2, 5	55 (54,8-2 5/32")	3,0	14,5	1-2,5
KAP 520-9003	57,2x1,2-2, 7	57,2 (2 1/4")	3,0	14,5	1,2-2,7
KAP 520-9003	60x1- 2	60 (59,9-1 23/64")	4,0	18,0	1-2
KAP 520-9003	65x1,5-3, 5	65 (65,1-2 9/16")	4,5	21,0	1,5-3,5
KAP 520-9003	70x1- 3	70 (69,9-2 3/4")	4,5	21,0	1-3
KAP 520-9003	75x1-2, 5	75 (2 61/64")	4,5	21,0	1-2,5
KAP 520-9003	76,2x1,5-3, 5	76,2 (3")	4,5	21,0	1,5-3,5
KAP 520-9003	80x1- 3	80 (79,8-3 9/64")	4,5	21,0	1-3
KAP 520-9003	85x1,5- 3	85 (84,9-3 11/32")	4,5	21,0	1,5-3
KAP 520-9003	88,9x1,8-3, 5	88,9 (3 1/2")	4,5	21,0	1,8-3,5

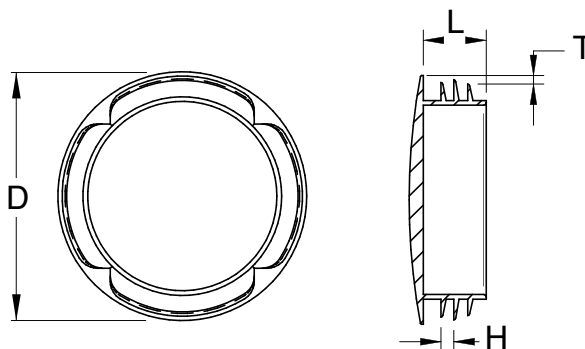




KAP 520-9005

TAPPO ROTONDO A LAMELLE A TESTA SOTTILE
 ROUND RIBBED PLUG WITH SLIM HEAD

Materiale / Material: LD-PE
 Colore / Colour: nero / black
 Dimensioni / Dimensions: mm



RIFERIMENTO REFERENCE		D	H	L	T
KAP 520-9005	10x0,8-1,5	10 (9,9-25/54")	2,0	11,5	0,8-1,5
KAP 520-9005	12x0,8-1,5	12 (11,9-15/32")	2,0	11,5	0,8-1,5
KAP 520-9005	13x0,8-2	13 (12,7-1/2")	3,0	11,5	0,8-2
KAP 520-9005	14x0,8-2	14 (13,9-35/64")	3,0	11,5	0,8-2
KAP 520-9005	15x0,8-2	15 (15,1-19/32")	3,0	11,5	0,8-2
KAP 520-9005	16x0,8-2	16 (15,9-5/8")	3,0	11,5	0,8-2
KAP 520-9005	18x0,25-1,5	18 (17,9-45/64")	3,0	11,5	0,25-1,5
KAP 520-9005	18x0,8-2	18 (17,9-45/64")	3,0	11,5	0,8-2
KAP 520-9005	18x2,5-3,5	18 (17,9-45/64")	3,0	11,5	2,5-3,5
KAP 520-9005	19x0,8-2,5	19 (19,1-3/4")	3,0	11,5	0,8-2,5
KAP 520-9005	20x0,8-2,5	20 (19,8-25/32")	3,0	11,5	0,8-2,5
KAP 520-9005	21x0,8-2,5	21 (53/64")	3,0	11,5	0,8-2,5
KAP 520-9005	22x0,8-3	22 (22,2-7/8")	3,0	11,5	0,8-3
KAP 520-9005	22x 2-4	22 (22,2-7/8")	3,0	11,5	2-4
KAP 520-9005	23x0,8-3	23 (29/32")	3,0	11,5	0,8-3
KAP 520-9005	24x0,8-2,5	24 (23,8-15/16")	3,0	11,5	0,8-2,5
KAP 520-9005	25x1-2,5	25 (63/64")	3,0	11,5	1-2,5
KAP 520-9005	25x3-5	25 (63/64")	3,0	11,5	3-5
KAP 520-9005	25,4x1,2-3,2	25,4 (1")	3,0	11,5	1,2-3,2
KAP 520-9005	26x0,8-3	26 (25,8-1 1/64")	3,0	11,5	0,8-3
KAP 520-9005	27x0,8-3	27 (1 1/16")	3,0	11,5	0,8-3
KAP 520-9005	28x0,8-2,5	28 (27,8-1 3/32")	3,0	11,5	0,8-2,5
KAP 520-9005	30x0,8-2,5	30 (29,8-1 11/64")	3,0	11,5	0,8-2,5
KAP 520-9005	30x2,5-4,5	30 (29,8-1 11/64")	3,0	11,5	2,5-4,5
KAP 520-9005	32x0,8-2,5	32 (31,8-1 1/4")	3,0	11,5	0,8-2,5



RIFERIMENTO REFERENCE	DL	H	T	
KAP 520-9005 32x2,5-4, 5	32 (31,8-1 1/4")	3,0	11,5	2,5-4,5
KAP 520-9005 34x0,8- 3	34 (34,1-1 11/32")	3,0	11,5	0,8-3
KAP 520-9005 35x1- 3	35 (34,9-1 3/8")	3,0	11,5	1-3
KAP 520-9005 38x1- 3	38 (38,1-1 1/2")	3,0	11,5	1-3
KAP 520-9005 40x1- 3	40 (40,1-1 37/64")	3,0	11,5	1-3
KAP 520-9005 42x0,8-2, 5	42 (42,1-1 21/32")	3,0	11,5	0,8-2,5
KAP 520-9005 44,5x1,2-2, 7	44,5 (1 3/4")	3,0	11,5	1,2-2,7
KAP 520-9005 45x0,8-2, 5	45 (44,8-1 49/64")	3,0	11,5	0,8-2,5
KAP 520-9005 48,4x1,2- 3	48,4 (1 29/32")	3,0	11,5	1,2-3
KAP 520-9005 50x1-2, 5	50 (1 31/32")	3,0	11,5	1-2,5
KAP 520-9005 55x1-2, 5	55 (54,8-2 5/32")	3,0	14,5	1-2,5
KAP 520-9005 57,2x1,2-2, 7	57,2 (2 1/4")	3,0	14,5	1,2-2,7
KAP 520-9005 60x1- 2	60 (59,9-1 23/64")	4,0	18,0	1-2
KAP 520-9005 65x1,5-3, 5	65 (65,1-2 9/16")	4,5	21,0	1,5-3,5
KAP 520-9005 70x1- 3	70 (69,9-2 3/4")	4,5	21,0	1-3
KAP 520-9005 75x1-2, 5	75 (2 61/64")	4,5	21,0	1-2,5
KAP 520-9005 76,2x1,5-3, 5	76,2 (3")	4,5	21,0	1,5-3,5
KAP 520-9005 80x1- 3	80 (79,8-3 9/64")	4,5	21,0	1-3
KAP 520-9005 85x1,5- 3	85 (84,9-3 11/32")	4,5	21,0	1,5-3
KAP 520-9005 88,9x1,8-3, 5	88,9 (3 1/2")	4,5	21,0	1,8-3,5

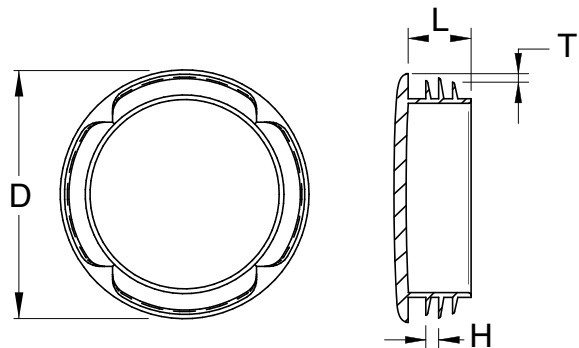




KAP 530-7042

TAPPO ROTONDO A LAMELLE A TESTA BOMBATA
 ROUND RIBBED PLUG WITH ROUNDED HEAD

Materiale / Material: LD-PE
 Colore / Colour: grigio / grey
 Dimensioni / Dimensions: mm



RIFERIMENTO REFERENCE		D	H	L	T
KAP 530-7042	10 x 0,8-1,5	10 (9,9-25/64")	2,5	11,5	0,8-1,5
KAP 530-7042	12 x 0,8-2	12 (11,9-15/32")	2,5	11,5	0,8-2
KAP 530-7042	13 x 0,8-2	13 (12,7-1/2")	3,0	11,5	0,8-2
KAP 530-7042	14 x 0,8-2	14 (13,9-35/64")	3,0	11,5	0,8-2
KAP 530-7042	15 x 0,8-2	15 (15,1-19/32")	3,0	11,5	0,8-2
KAP 530-7042	16 x 0,8-2	16 (15,9-5/8")	3,0	11,5	0,8-2
KAP 530-7042	18 x 0,25-1,5	18 (17,9-45/64")	3,0	11,5	0,25-1,5
KAP 530-7042	18 x 0,8-2,5	18 (17,9-45/64")	3,0	11,5	0,8-2,5
KAP 530-7042	18 x 2,5-3,5	18 (17,9-45/64")	3,0	11,5	2,5-3,5
KAP 530-7042	19 x 0,8-2,5	19 (19,1-3/4")	3,0	11,5	0,8-2,5
KAP 530-7042	20 x 0,8-2,5	20 (19,8-25/32")	3,0	11,5	0,8-2,5
KAP 530-7042	21 x 0,8-2,5	21 (53/64")	3,0	11,5	0,8-2,5
KAP 530-7042	22 x 0,8-3	22 (22,2-7/8")	3,0	11,5	0,8-3
KAP 530-7042	22 x 2-4	22 (22,2-7/8")	3,0	11,5	2-4
KAP 530-7042	23 x 0,8-3	23 (29/32")	3,0	11,5	0,8-3
KAP 530-7042	24 x 0,8-2,5	24 (23,8-15/16")	3,0	11,5	0,8-2,5
KAP 530-7042	25 x 1-2,5	25 (63/64")	3,0	11,5	1-2,5
KAP 530-7042	25 x 3-5	25 (63/64")	3,0	11,5	3-5
KAP 530-7042	25,4 x 1,2-3,2	25,4 (1")	3,0	11,5	1,2-3,2
KAP 530-7042	26 x 0,8-3	26 (25,8-1 1/64")	3,0	11,5	0,8-3
KAP 530-7042	27 x 0,8-3	27 (1 1/16")	3,0	11,5	0,8-3
KAP 530-7042	28 x 0,8-2,5	28 (27,8-1 3/32")	3,0	11,5	0,8-2,5
KAP 530-7042	30 x 0,8-2,5	30 (29,8-1 11/64")	5,0	11,5	0,8-2,5
KAP 530-7042	30 x 2,5-4,5	30 (29,8-1 11/64")	6,0	11,5	2,5-4,5
KAP 530-7042	32 x 0,8-3	32 (31,8-1 1/4")	7,0	11,5	0,8-3
KAP 530-7042	32 x 2,5-5	32 (31,8-1 1/4")	8,0	11,5	2,5-5



RIFERIMENTO REFERENCE		DL	H	T	
KAP 530-7042	34 x 0,8- 3	34 (34,1-1 11/32")	3,0	11,5	0,8-3
KAP 530-7042	34 x 3,5- 4	34 (34,1-1 11/32")	3,0	11,5	3,5-4
KAP 530-7042	35 x 1- 3	35 (34,9-1 3/8")	3,0	11,5	1-3
KAP 530-7042	35 x 3- 5	35 (34,9-1 3/8")	3,0	11,5	3-5
KAP 530-7042	36 x 1- 3	36 (36,1-1 27/64")	3,0	11,5	1-3
KAP 530-7042	37 x 1- 3	37 (36,9-1 29/64")	3,0	11,5	1-3
KAP 530-7042	38 x 1- 3	38 (38,1-1 1/2")	3,0	11,5	1-3
KAP 530-7042	38 x 3- 5	38 (38,1-1 1/2")	3,0	11,5	3-5
KAP 530-7042	40 x 1- 3	40 (40,1-1 37/64")	3,0	11,5	1-3
KAP 530-7042	40 x 3- 5	40 (40,1-1 37/64")	3,0	11,5	3-5
KAP 530-7042	42 x 0,8-2, 5	42 (42,1-1 21/32")	3,0	11,5	0,8-2,5
KAP 530-7042	42 x 2,5- 5	42 (42,1-1 21/32")	3,0	11,5	2,5-5
KAP 530-7042	44,5 x 1,2-3, 2	44,5 (1 3/4")	3,0	11,5	1,2-3,2
KAP 530-7042	45 x 0,8- 3	45 (44,8-1 49/64")	3,0	11,5	0,8-3
KAP 530-7042	45 x 3- 5	45 (44,8-1 49/64")	3,0	11,5	3-5
KAP 530-7042	48,4 x 1,2-3, 6	48,4 (1 29/32")	3,0	11,5	1,2-3,6
KAP 530-7042	48,4 x 2,5-5, 2	48,4 (1 29/32")	3,0	11,5	2,5-5,2
KAP 530-7042	50 x 1-2, 5	50 (1 31/32")	3,0	11,5	1-2,5
KAP 530-7042	50 x 2,5-4, 5	50 (1 31/32")	3,0	11,5	2,5-4,5
KAP 530-7042	50 x 4,5-6, 5	50 (1 31/32")	3,0	11,5	4,5-6,5
KAP 530-7042	55 x 1- 3	55 (2 5/32")	3,0	14,5	1-3
KAP 530-7042	55 x 3- 5	55 (2 5/32")	3,0	14,5	3-5
KAP 530-7042	57,2 x 1,2-2, 7	57,2 (2 1/4")	3,0	14,5	1,2-2,7
KAP 530-7042	60 x 1- 3	60 (59,9-2 23/64")	4,0	18,0	1-3
KAP 530-7042	60 x 3- 5	60 (59,9-2 23/64")	3,0	18,0	3-5
KAP 530-7042	63,5 x 1,5-3, 5	63,5 (2 1/2")	4,5	21,0	1,5-3,5
KAP 530-7042	65 x 1,5-3, 5	65 (65,1-2 9/16")	4,5	21,0	1,5-3,5
KAP 530-7042	65 x 3- 5	65 (65,1-2 9/16")	4,5	21,0	3-5
KAP 530-7042	70 x 1-3, 5	70 (69,9-2 3/4")	4,5	21,0	1-3,5
KAP 530-7042	75 x 1-2, 5	75 (2 61/64")	4,5	21,0	1-2,5
KAP 530-7042	75 x 3- 5	75 (2 61/64")	4,5	21,0	3-5
KAP 530-7042	76,2 x 1,5-3, 5	76,2 (3")	4,5	21,0	1,5-3,5
KAP 530-7042	76,2 x 3,5- 6	76,2 (3")	4,5	21,0	3,5-6
KAP 530-7042	80 x 3-5, 5	80 (79,8-3 9/64")	4,5	21,0	3-5,5
KAP 530-7042	85 x 1,5- 4	85 (84,9-3 11/32")	4,5	21,0	1,5-4
KAP 530-7042	85 x 3,5- 6	85 (84,9-3 11/32")	4,5	21,0	3,5-6
KAP 530-7042	88,9 x 1,8- 4	88,9 (3 1/2")	4,5	21,0	1,8-4
KAP 530-7042	88,9 x 3,5- 6	88,9 (3 1/2")	4,5	21,0	3,5-6



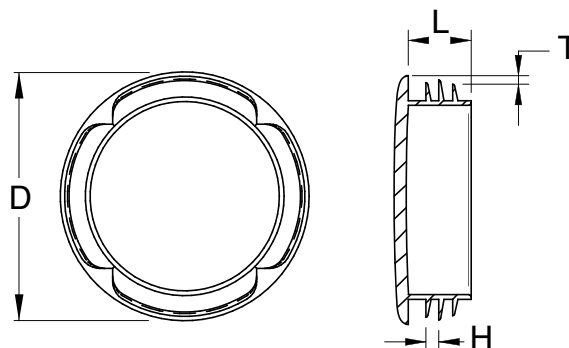
KAP 530-9003

TAPPO ROTONDO A LAMELLE A TESTA BOMBATA
 ROUND RIBBED PLUG WITH ROUNDED HEAD

Materiale / Material: LD-PE

Colore / Colour: bianco / white

Dimensioni / Dimensions: mm



RIFERIMENTO REFERENCE		D	H	L	T
KAP 530-9003	10 x 0,8-1,5	10 (9,9-25/64")	2,5	11,5	0,8-1,5
KAP 530-9003	12 x 0,8-2	12 (11,9-15/32")	2,5	11,5	0,8-2
KAP 530-9003	13 x 0,8-2	13 (12,7-1/2")	3,0	11,5	0,8-2
KAP 530-9003	14 x 0,8-2	14 (13,9-35/64")	3,0	11,5	0,8-2
KAP 530-9003	15 x 0,8-2	15 (15,1-19/32")	3,0	11,5	0,8-2
KAP 530-9003	16 x 0,8-2	16 (15,9-5/8")	3,0	11,5	0,8-2
KAP 530-9003	18 x 0,25-1,5	18 (17,9-45/64")	3,0	11,5	0,25-1,5
KAP 530-9003	18 x 0,8-2,5	18 (17,9-45/64")	3,0	11,5	0,8-2,5
KAP 530-9003	18 x 2,5-3,5	18 (17,9-45/64")	3,0	11,5	2,5-3,5
KAP 530-9003	19 x 0,8-2,5	19 (19,1-3/4")	3,0	11,5	0,8-2,5
KAP 530-9003	20 x 0,8-2,5	20 (19,8-25/32")	3,0	11,5	0,8-2,5
KAP 530-9003	21 x 0,8-2,5	21 (53/64")	3,0	11,5	0,8-2,5
KAP 530-9003	22 x 0,8-3	22 (22,2-7/8")	3,0	11,5	0,8-3
KAP 530-9003	22 x 2-4	22 (22,2-7/8")	3,0	11,5	2-4
KAP 530-9003	23 x 0,8-3	23 (29/32")	3,0	11,5	0,8-3
KAP 530-9003	24 x 0,8-2,5	24 (23,8-15/16")	3,0	11,5	0,8-2,5
KAP 530-9003	25 x 1-2,5	25 (63/64")	3,0	11,5	1-2,5
KAP 530-9003	25 x 3-5	25 (63/64")	3,0	11,5	3-5
KAP 530-9003	25,4 x 1,2-3,2	25,4 (1")	3,0	11,5	1,2-3,2
KAP 530-9003	26 x 0,8-3	26 (25,8-1 1/64")	3,0	11,5	0,8-3
KAP 530-9003	27 x 0,8-3	27 (1 1/16")	3,0	11,5	0,8-3
KAP 530-9003	28 x 0,8-2,5	28 (27,8-1 3/32")	3,0	11,5	0,8-2,5
KAP 530-9003	30 x 0,8-2,5	30 (29,8-1 11/64")	5,0	11,5	0,8-2,5
KAP 530-9003	30 x 2,5-4,5	30 (29,8-1 11/64")	6,0	11,5	2,5-4,5
KAP 530-9003	32 x 0,8-3	32 (31,8-1 1/4")	7,0	11,5	0,8-3
KAP 530-9003	32 x 2,5-5	32 (31,8-1 1/4")	8,0	11,5	2,5-5



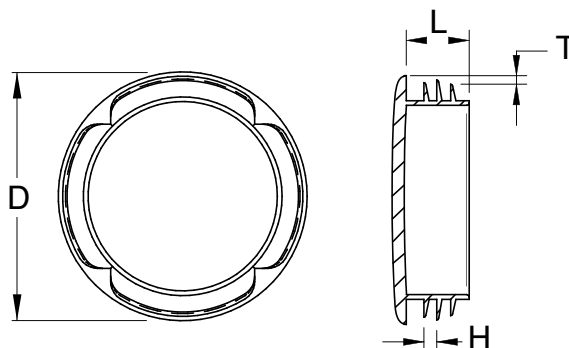
RIFERIMENTO REFERENCE		DL	H	T	
KAP 530-9003	34 x 0,8- 3	34 (34,1-1 11/32")	3,0	11,5	0,8-3
KAP 530-9003	34 x 3,5- 4	34 (34,1-1 11/32")	3,0	11,5	3,5-4
KAP 530-9003	35 x 1- 3	35 (34,9-1 3/8")	3,0	11,5	1-3
KAP 530-9003	35 x 3- 5	35 (34,9-1 3/8")	3,0	11,5	3-5
KAP 530-9003	36 x 1- 3	36 (36,1-1 27/64")	3,0	11,5	1-3
KAP 530-9003	37 x 1- 3	37 (36,9-1 29/64")	3,0	11,5	1-3
KAP 530-9003	38 x 1- 3	38 (38,1-1 1/2")	3,0	11,5	1-3
KAP 530-9003	38 x 3- 5	38 (38,1-1 1/2")	3,0	11,5	3-5
KAP 530-9003	40 x 1- 3	40 (40,1-1 37/64")	3,0	11,5	1-3
KAP 530-9003	40 x 3- 5	40 (40,1-1 37/64")	3,0	11,5	3-5
KAP 530-9003	42 x 0,8-2, 5	42 (42,1-1 21/32")	3,0	11,5	0,8-2,5
KAP 530-9003	42 x 2,5- 5	42 (42,1-1 21/32")	3,0	11,5	2,5-5
KAP 530-9003	44,5 x 1,2-3, 2	44,5 (1 3/4")	3,0	11,5	1,2-3,2
KAP 530-9003	45 x 0,8- 3	45 (44,8-1 49/64")	3,0	11,5	0,8-3
KAP 530-9003	45 x 3- 5	45 (44,8-1 49/64")	3,0	11,5	3-5
KAP 530-9003	48,4 x 1,2-3, 6	48,4 (1 29/32")	3,0	11,5	1,2-3,6
KAP 530-9003	48,4 x 2,5-5, 2	48,4 (1 29/32")	3,0	11,5	2,5-5,2
KAP 530-9003	50 x 1-2, 5	50 (1 31/32")	3,0	11,5	1-2,5
KAP 530-9003	50 x 2,5-4, 5	50 (1 31/32")	3,0	11,5	2,5-4,5
KAP 530-9003	50 x 4,5-6, 5	50 (1 31/32")	3,0	11,5	4,5-6,5
KAP 530-9003	55 x 1- 3	55 (2 5/32")	3,0	14,5	1-3
KAP 530-9003	55 x 3- 5	55 (2 5/32")	3,0	14,5	3-5
KAP 530-9003	57,2 x 1,2-2, 7	57,2 (2 1/4")	3,0	14,5	1,2-2,7
KAP 530-9003	60 x 1- 3	60 (59,9-2 23/64")	4,0	18,0	1-3
KAP 530-9003	60 x 3- 5	60 (59,9-2 23/64")	3,0	18,0	3-5
KAP 530-9003	63,5 x 1,5-3, 5	63,5 (2 1/2")	4,5	21,0	1,5-3,5
KAP 530-9003	65 x 1,5-3, 5	65 (65,1-2 9/16")	4,5	21,0	1,5-3,5
KAP 530-9003	65 x 3- 5	65 (65,1-2 9/16")	4,5	21,0	3-5
KAP 530-9003	70 x 1-3, 5	70 (69,9-2 3/4")	4,5	21,0	1-3,5
KAP 530-9003	75 x 1-2, 5	75 (2 61/64")	4,5	21,0	1-2,5
KAP 530-9003	75 x 3- 5	75 (2 61/64")	4,5	21,0	3-5
KAP 530-9003	76,2 x 1,5-3, 5	76,2 (3")	4,5	21,0	1,5-3,5
KAP 530-9003	76,2 x 3,5- 6	76,2 (3")	4,5	21,0	3,5-6
KAP 530-9003	80 x 3-5, 5	80 (79,8-3 9/64")	4,5	21,0	3-5,5
KAP 530-9003	85 x 1,5- 4	85 (84,9-3 11/32")	4,5	21,0	1,5-4
KAP 530-9003	85 x 3,5- 6	85 (84,9-3 11/32")	4,5	21,0	3,5-6
KAP 530-9003	88,9 x 1,8- 4	88,9 (3 1/2")	4,5	21,0	1,8-4
KAP 530-9003	88,9 x 3,5- 6	88,9 (3 1/2")	4,5	21,0	3,5-6



KAP 530-9005

TAPPO ROTONDO A LAMELLE A TESTA BOMBATA
 ROUND RIBBED PLUG WITH ROUNDED HEAD

Materiale / Material: LD-PE
 Colore / Colour: nero / black
 Dimensioni / Dimensions: mm



RIFERIMENTO REFERENCE		D	H	L	T
KAP 530-9005	10 x 0,8-1,5	10 (9,9-25/64")	2,5	11,5	0,8-1,5
KAP 530-9005	12 x 0,8-2	12 (11,9-15/32")	2,5	11,5	0,8-2
KAP 530-9005	13 x 0,8-2	13 (12,7-1/2")	3,0	11,5	0,8-2
KAP 530-9005	14 x 0,8-2	14 (13,9-35/64")	3,0	11,5	0,8-2
KAP 530-9005	15 x 0,8-2	15 (15,1-19/32")	3,0	11,5	0,8-2
KAP 530-9005	16 x 0,8-2	16 (15,9-5/8")	3,0	11,5	0,8-2
KAP 530-9005	18 x 0,25-1,5	18 (17,9-45/64")	3,0	11,5	0,25-1,5
KAP 530-9005	18 x 0,8-2,5	18 (17,9-45/64")	3,0	11,5	0,8-2,5
KAP 530-9005	18 x 2,5-3,5	18 (17,9-45/64")	3,0	11,5	2,5-3,5
KAP 530-9005	19 x 0,8-2,5	19 (19,1-3/4")	3,0	11,5	0,8-2,5
KAP 530-9005	20 x 0,8-2,5	20 (19,8-25/32")	3,0	11,5	0,8-2,5
KAP 530-9005	21 x 0,8-2,5	21 (53/64")	3,0	11,5	0,8-2,5
KAP 530-9005	22 x 0,8-3	22 (22,2-7/8")	3,0	11,5	0,8-3
KAP 530-9005	22 x 2-4	22 (22,2-7/8")	3,0	11,5	2-4
KAP 530-9005	23 x 0,8-3	23 (29/32")	3,0	11,5	0,8-3
KAP 530-9005	24 x 0,8-2,5	24 (23,8-15/16")	3,0	11,5	0,8-2,5
KAP 530-9005	25 x 1-2,5	25 (63/64")	3,0	11,5	1-2,5
KAP 530-9005	25 x 3-5	25 (63/64")	3,0	11,5	3-5
KAP 530-9005	25,4 x 1,2-3,2	25,4 (1")	3,0	11,5	1,2-3,2
KAP 530-9005	26 x 0,8-3	26 (25,8-1 1/64")	3,0	11,5	0,8-3
KAP 530-9005	27 x 0,8-3	27 (1 1/16")	3,0	11,5	0,8-3
KAP 530-9005	28 x 0,8-2,5	28 (27,8-1 3/32")	3,0	11,5	0,8-2,5
KAP 530-9005	30 x 0,8-2,5	30 (29,8-1 11/64")	5,0	11,5	0,8-2,5
KAP 530-9005	30 x 2,5-4,5	30 (29,8-1 11/64")	6,0	11,5	2,5-4,5
KAP 530-9005	32 x 0,8-3	32 (31,8-1 1/4")	7,0	11,5	0,8-3
KAP 530-9005	32 x 2,5-5	32 (31,8-1 1/4")	8,0	11,5	2,5-5



RIFERIMENTO REFERENCE		DL	H	T	
KAP 530-9005	34 x 0,8- 3	34 (34,1-1 11/32")	3,0	11,5	0,8-3
KAP 530-9005	34 x 3,5- 4	34 (34,1-1 11/32")	3,0	11,5	3,5-4
KAP 530-9005	35 x 1- 3	35 (34,9-1 3/8")	3,0	11,5	1-3
KAP 530-9005	35 x 3- 5	35 (34,9-1 3/8")	3,0	11,5	3-5
KAP 530-9005	36 x 1- 3	36 (36,1-1 27/64")	3,0	11,5	1-3
KAP 530-9005	37 x 1- 3	37 (36,9-1 29/64")	3,0	11,5	1-3
KAP 530-9005	38 x 1- 3	38 (38,1-1 1/2")	3,0	11,5	1-3
KAP 530-9005	38 x 3- 5	38 (38,1-1 1/2")	3,0	11,5	3-5
KAP 530-9005	40 x 1- 3	40 (40,1-1 37/64")	3,0	11,5	1-3
KAP 530-9005	40 x 3- 5	40 (40,1-1 37/64")	3,0	11,5	3-5
KAP 530-9005	42 x 0,8-2, 5	42 (42,1-1 21/32")	3,0	11,5	0,8-2,5
KAP 530-9005	42 x 2,5- 5	42 (42,1-1 21/32")	3,0	11,5	2,5-5
KAP 530-9005	44,5 x 1,2-3, 2	44,5 (1 3/4")	3,0	11,5	1,2-3,2
KAP 530-9005	45 x 0,8- 3	45 (44,8-1 49/64")	3,0	11,5	0,8-3
KAP 530-9005	45 x 3- 5	45 (44,8-1 49/64")	3,0	11,5	3-5
KAP 530-9005	48,4 x 1,2-3, 6	48,4 (1 29/32")	3,0	11,5	1,2-3,6
KAP 530-9005	48,4 x 2,5-5, 2	48,4 (1 29/32")	3,0	11,5	2,5-5,2
KAP 530-9005	50 x 1-2, 5	50 (1 31/32")	3,0	11,5	1-2,5
KAP 530-9005	50 x 2,5-4, 5	50 (1 31/32")	3,0	11,5	2,5-4,5
KAP 530-9005	50 x 4,5-6, 5	50 (1 31/32")	3,0	11,5	4,5-6,5
KAP 530-9005	55 x 1- 3	55 (2 5/32")	3,0	14,5	1-3
KAP 530-9005	55 x 3- 5	55 (2 5/32")	3,0	14,5	3-5
KAP 530-9005	57,2 x 1,2-2, 7	57,2 (2 1/4")	3,0	14,5	1,2-2,7
KAP 530-9005	60 x 1- 3	60 (59,9-2 23/64")	4,0	18,0	1-3
KAP 530-9005	60 x 3- 5	60 (59,9-2 23/64")	3,0	18,0	3-5
KAP 530-9005	63,5 x 1,5-3, 5	63,5 (2 1/2")	4,5	21,0	1,5-3,5
KAP 530-9005	65 x 1,5-3, 5	65 (65,1-2 9/16")	4,5	21,0	1,5-3,5
KAP 530-9005	65 x 3- 5	65 (65,1-2 9/16")	4,5	21,0	3-5
KAP 530-9005	70 x 1-3, 5	70 (69,9-2 3/4")	4,5	21,0	1-3,5
KAP 530-9005	75 x 1-2, 5	75 (2 61/64")	4,5	21,0	1-2,5
KAP 530-9005	75 x 3- 5	75 (2 61/64")	4,5	21,0	3-5
KAP 530-9005	76,2 x 1,5-3, 5	76,2 (3")	4,5	21,0	1,5-3,5
KAP 530-9005	76,2 x 3,5- 6	76,2 (3")	4,5	21,0	3,5-6
KAP 530-9005	80 x 3-5, 5	80 (79,8-3 9/64")	4,5	21,0	3-5,5
KAP 530-9005	85 x 1,5- 4	85 (84,9-3 11/32")	4,5	21,0	1,5-4
KAP 530-9005	85 x 3,5- 6	85 (84,9-3 11/32")	4,5	21,0	3,5-6
KAP 530-9005	88,9 x 1,8- 4	88,9 (3 1/2")	4,5	21,0	1,8-4
KAP 530-9005	88,9 x 3,5- 6	88,9 (3 1/2")	4,5	21,0	3,5-6



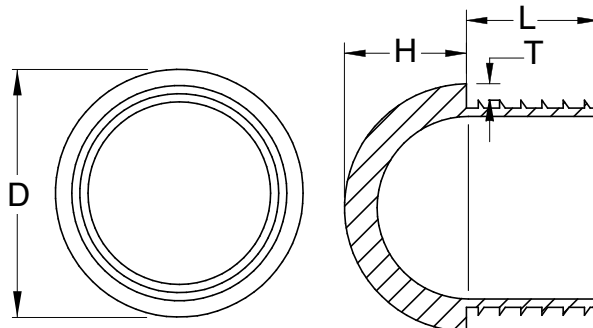
KAP 540-7042

TAPPO ROTONDO A LAMELLE A TESTA SEMISFERICA
 ROUND RIBBED PLUG WITH HEMISPHERICAL HEAD

Materiale / Material: LD-PE

Colore / Colour: grigio / grey

Dimensioni / Dimensions: mm



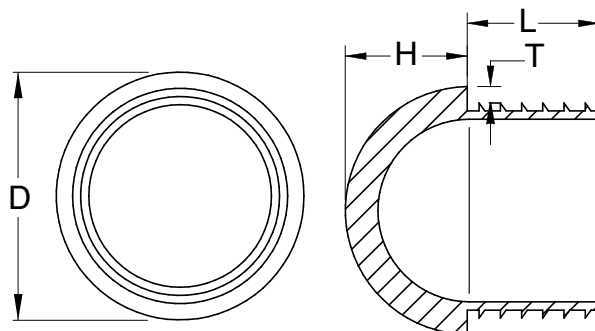
RIFERIMENTO REFERENCE		D	H	L	T
KAP 540-7042	16 x 1-2	16 (15,9-5/8")	7,5	12,0	1-2
KAP 540-7042	18 x 1-2	18 (17,9-45/64")	8,0	12,0	1-2
KAP 540-7042	19,1 x 1,2-2	19,1 (3/4")	9,5	14,0	1,2-2
KAP 540-7042	20 x 1-2	20 (19,8-25/32")	9,5	15,5	1-2
KAP 540-7042	22 x 1-1,5	22 (22,2-7/8")	10,5	15,5	1-1,5
KAP 540-7042	22 x 1,5-2	22 (22,2-7/8")	10,5	15,5	1,5-2
KAP 540-7042	25 x 1-2	25 (63/64")	10,5	15,5	1-2
KAP 540-7042	27 x 1-2	27 (1 1/16")	13,5	15,5	1-2
KAP 540-7042	28 x 1-2	28 (27,8-1 3/32")	14,0	14,0	1-2
KAP 540-7042	28 x 1,5-2,5	28 (27,8-1 3/32")	14,0	15,5	1,5-2,5
KAP 540-7042	30 x 1-2	30 (29,8-1 11/64")	13,5	17,5	1-2
KAP 540-7042	32 x 1-2	32 (31,8-1 1/4")	15,5	19,5	1-2
KAP 540-7042	34 x 1,2-2,5	34 (34,1-1 11/32")	17,0	19,5	1,2-2,5
KAP 540-7042	35 x 1-2	35 (34,9-1 3/8")	16,5	19,5	1-2
KAP 540-7042	40 x 1,5-2	40 (40,1-1 37/64")	20,0	12,0	1,5-2
KAP 540-7042	42 x 1,5-2,5	42 (42,1-1 21/32")	21,0	30,0	1,5-2,5
KAP 540-7042	44,5 x 1,2-2	44,5 (1 3/4")	22,0	30,0	1,2-2
KAP 540-7042	45 x 1,5-2,5	45 (44,8-1 49/64")	22,0	30,0	1,5-2,5
KAP 540-7042	48,4 x 1,5-2,5	48,4 (1 29/32")	24,2	30,0	1,5-2,5
KAP 540-7042	48,4 x 3-5	48,4 (1 29/32")	24,2	30,0	3-5
KAP 540-7042	50 x 1,5-2,5	50 (1 31/32")	25,0	30,0	1,5-2,5
KAP 540-7042	50,8 x 1,2-2,5	50,8 (2")	25,5	30,0	1,2-2,5
KAP 540-7042	57,2 x 1,5-2,5	57,2 (2 1/4")	29,0	35,5	1,5-2,5
KAP 540-7042	60 x 1,5-2,5	60 (59,9-2 23/64")	30,0	40,0	1,5-2,5
KAP 540-7042	63,5 x 1,5-2,5	63,5 (2 1/2")	32,0	40,0	1,5-2,5
KAP 540-7042	76,2 x 2-3,5	76,2 (3")	38,5	40,0	2-3,5



KAP 540-9003

TAPPO ROTONDO A LAMELLE A TESTA SEMISFERICA
 ROUND RIBBED PLUG WITH HEMISPHERICAL HEAD

Materiale / Material: LD-PE
 Colore / Colour: bianco / white
 Dimensioni / Dimensions: mm



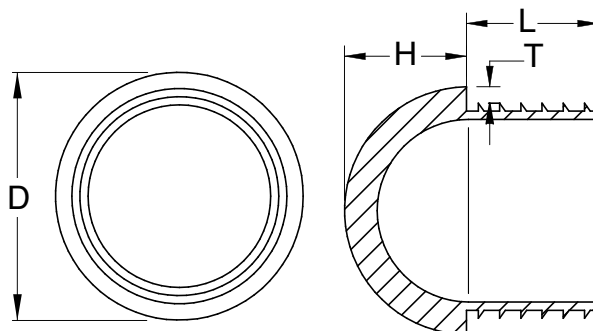
RIFERIMENTO REFERENCE		D	H	L	T
KAP 540-9003	16 x 1-2	16 (15,9-5/8")	7,5	12,0	1-2
KAP 540-9003	18 x 1-2	18 (17,9-45/64")	8,0	12,0	1-2
KAP 540-9003	19,1 x 1,2-2	19,1 (3/4")	9,5	14,0	1,2-2
KAP 540-9003	20 x 1-2	20 (19,8-25/32")	9,5	15,5	1-2
KAP 540-9003	22 x 1-1,5	22 (22,2-7/8")	10,5	15,5	1-1,5
KAP 540-9003	22 x 1,5-2	22 (22,2-7/8")	10,5	15,5	1,5-2
KAP 540-9003	25 x 1-2	25 (63/64")	10,5	15,5	1-2
KAP 540-9003	27 x 1-2	27 (1 1/16")	13,5	15,5	1-2
KAP 540-9003	28 x 1-2	28 (27,8-1 3/32")	14,0	14,0	1-2
KAP 540-9003	28 x 1,5-2,5	28 (27,8-1 3/32")	14,0	15,5	1,5-2,5
KAP 540-9003	30 x 1-2	30 (29,8-1 11/64")	13,5	17,5	1-2
KAP 540-9003	32 x 1-2	32 (31,8-1 1/4")	15,5	19,5	1-2
KAP 540-9003	34 x 1,2-2,5	34 (34,1-1 11/32")	17,0	19,5	1,2-2,5
KAP 540-9003	35 x 1-2	35 (34,9-1 3/8")	16,5	19,5	1-2
KAP 540-9003	40 x 1,5-2	40 (40,1-1 37/64")	20,0	12,0	1,5-2
KAP 540-9003	42 x 1,5-2,5	42 (42,1-1 21/32")	21,0	30,0	1,5-2,5
KAP 540-9003	44,5 x 1,2-2	44,5 (1 3/4")	22,0	30,0	1,2-2
KAP 540-9003	45 x 1,5-2,5	45 (44,8-1 49/64")	22,0	30,0	1,5-2,5
KAP 540-9003	48,4 x 1,5-2,5	48,4 (1 29/32")	24,2	30,0	1,5-2,5
KAP 540-9003	48,4 x 3-5	48,4 (1 29/32")	24,2	30,0	3-5
KAP 540-9003	50 x 1,5-2,5	50 (1 31/32")	25,0	30,0	1,5-2,5
KAP 540-9003	50,8 x 1,2-2,5	50,8 (2")	25,5	30,0	1,2-2,5
KAP 540-9003	57,2 x 1,5-2,5	57,2 (2 1/4")	29,0	35,5	1,5-2,5
KAP 540-9003	60 x 1,5-2,5	60 (59,9-2 23/64")	30,0	40,0	1,5-2,5
KAP 540-9003	63,5 x 1,5-2,5	63,5 (2 1/2")	32,0	40,0	1,5-2,5
KAP 540-9003	76,2 x 2-3,5	76,2 (3")	38,5	40,0	2-3,5



KAP 540-9005

TAPPO ROTONDO A LAMELLE A TESTA SEMISFERICA
 ROUND RIBBED PLUG WITH HEMISPHERICAL HEAD

Materiale / Material: LD-PE
 Colore / Colour: nero / black
 Dimensioni / Dimensions: mm



RIFERIMENTO REFERENCE		D	H	L	T
KAP 540-9005	16 x 1-2	16 (15,9-5/8")	7,5	12,0	1-2
KAP 540-9005	18 x 1-2	18 (17,9-45/64")	8,0	12,0	1-2
KAP 540-9005	19,1 x 1,2-2	19,1 (3/4")	9,5	14,0	1,2-2
KAP 540-9005	20 x 1-2	20 (19,8-25/32")	9,5	15,5	1-2
KAP 540-9005	22 x 1-1,5	22 (22,2-7/8")	10,5	15,5	1-1,5
KAP 540-9005	22 x 1,5-2	22 (22,2-7/8")	10,5	15,5	1,5-2
KAP 540-9005	25 x 1-2	25 (63/64")	10,5	15,5	1-2
KAP 540-9005	27 x 1-2	27 (1 1/16")	13,5	15,5	1-2
KAP 540-9005	28 x 1-2	28 (27,8-1 3/32")	14,0	14,0	1-2
KAP 540-9005	28 x 1,5-2,5	28 (27,8-1 3/32")	14,0	15,5	1,5-2,5
KAP 540-9005	30 x 1-2	30 (29,8-1 11/64")	13,5	17,5	1-2
KAP 540-9005	32 x 1-2	32 (31,8-1 1/4")	15,5	19,5	1-2
KAP 540-9005	34 x 1,2-2,5	34 (34,1-1 11/32")	17,0	19,5	1,2-2,5
KAP 540-9005	35 x 1-2	35 (34,9-1 3/8")	16,5	19,5	1-2
KAP 540-9005	40 x 1,5-2	40 (40,1-1 37/64")	20,0	12,0	1,5-2
KAP 540-9005	42 x 1,5-2,5	42 (42,1-1 21/32")	21,0	30,0	1,5-2,5
KAP 540-9005	44,5 x 1,2-2	44,5 (1 3/4")	22,0	30,0	1,2-2
KAP 540-9005	45 x 1,5-2,5	45 (44,8-1 49/64")	22,0	30,0	1,5-2,5
KAP 540-9005	48,4 x 1,5-2,5	48,4 (1 29/32")	24,2	30,0	1,5-2,5
KAP 540-9005	48,4 x 3-5	48,4 (1 29/32")	24,2	30,0	3-5
KAP 540-9005	50 x 1,5-2,5	50 (1 31/32")	25,0	30,0	1,5-2,5
KAP 540-9005	50,8 x 1,2-2,5	50,8 (2")	25,5	30,0	1,2-2,5
KAP 540-9005	57,2 x 1,5-2,5	57,2 (2 1/4")	29,0	35,5	1,5-2,5
KAP 540-9005	60 x 1,5-2,5	60 (59,9-2 23/64")	30,0	40,0	1,5-2,5
KAP 540-9005	63,5 x 1,5-2,5	63,5 (2 1/2")	32,0	40,0	1,5-2,5
KAP 540-9005	76,2 x 2-3,5	76,2 (3")	38,5	40,0	2-3,5

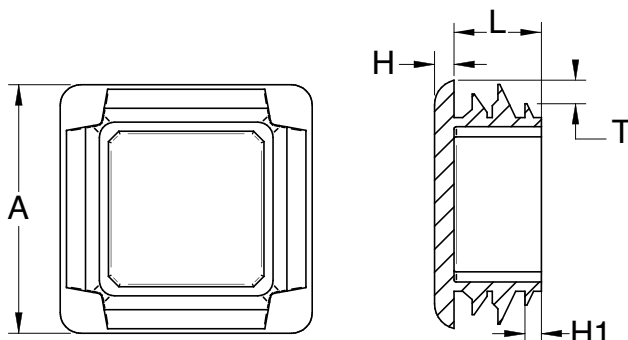




KAP 560-7042

TAPPO QUADRATO A LAMELLE A TESTA PIANA
 SQUARE RIBBED PLUG WITH FLAT HEAD

Materiale / Material: LD-PE
 Colore / Colour: grigio / grey
 Dimensioni / Dimensions: mm



RIFERIMENTO REFERENCE	A	H	H1	L	T
KAP 560-7042 10x10x1,3-2	10 (9,9-25/64")	4,0	3,0	11,5	1,3-2
KAP 560-7042 12x12x0,5-2	12 (11,9-15/32")	4,0	3,0	11,5	0,5-2
KAP 560-7042 13x13x0,5-2	13 (12,7-1/2")	4,0	3,0	11,5	0,5-2
KAP 560-7042 15x15x0,8-2	15 (15,1-19/32")	3,0	3,0	11,5	0,8-2
KAP 560-7042 16x16x0,8-2	16 (15,9-5/8")	5,0	3,0	11,5	0,8-2
KAP 560-7042 18x18x1,5-3	18 (17,9-45/64")	5,0	3,0	11,5	1,5-3
KAP 560-7042 19,1x19,1x1,2-2,9	19,1 (3/4")	5,0	3,0	11,5	1,2-2,9
KAP 560-7042 20x20x0,8-3	20 (19,8-25/32")	5,0	3,0	11,5	0,8-3
KAP 560-7042 22x22x0,8-3	22 (22,2-7/8")	5,0	3,0	11,5	0,8-3
KAP 560-7042 25x25x1-3	25 (63/64")	5,0	3,0	11,5	1-3
KAP 560-7042 25,4x25,4x1,2-3,2	25,4 (1")	5,0	3,0	11,5	1,2-3,2
KAP 560-7042 28x28x1-3	28 (27,8-1 3/32")	5,0	3,0	11,5	1-3
KAP 560-7042 30x30x1-2,5	30 (29,8-1 11/64")	5,0	3,0	11,5	1-2,5
KAP 560-7042 30x30x2,5-5	30 (29,8-1 11/64")	5,0	3,0	11,5	2,5-5
KAP 560-7042 32x32x1-3,5	32 (31,8-1 1/4")	5,0	3,0	11,5	1-3,5
KAP 560-7042 34x34x1-3	34 (34,1-1 11/32")	5,0	3,0	14,5	1-3
KAP 560-7042 35x35x0,8-3	35 (34,9-1 3/8")	5,0	3,0	14,5	0,8-3
KAP 560-7042 35x35x3-5	35 (34,9-1 3/8")	5,0	3,0	14,5	3-5
KAP 560-7042 38x38x1-3,5	38 (38,1-1 1/2")	5,0	3,0	14,5	1-3,5
KAP 560-7042 40x40x1-3	40 (40,1-1 37/64")	5,0	3,0	14,5	1-3
KAP 560-7042 40x40x3-5	40 (40,1-1 37/64")	5,0	3,0	14,5	3-5
KAP 560-7042 45x45x1-3	45 (44,8-1 49/64")	5,0	3,0	14,5	1-3
KAP 560-7042 45x45x3-5	45 (44,8-1 49/64")	5,0	3,0	14,5	3-5
KAP 560-7042 48x48x1-2,5	48 (48,4-1 29/32")	5,0	3,0	14,5	1-2,5



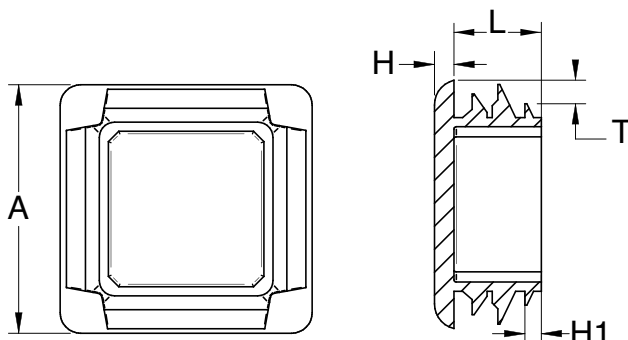
RIFERIMENTO REFERENCE	A	H	H1	L	T
KAP 560-7042 48x48x2,5-4,5	48 (48,4-1 29/32")	5,0	3,0	14,5	2,5-4,5
KAP 560-7042 50x50x0,8-3	50 (1 31/32")	5,0	3,0	14,5	0,8-3
KAP 560-7042 50x50x2,6-4	50 (1 31/32")	6,5	6,5	24,5	2,6-4
KAP 560-7042 50x50x3-5	50 (1 31/32")	5,0	3,0	14,5	3-5
KAP 560-7042 50,8x50,8x1,2-3,2	50,8 (2")	5,0	3,0	14,5	1,2-3,2
KAP 560-7042 52x52x1,5-3,5	52 (2 3/64")	5,0	3,0	14,5	1,5-3,5
KAP 560-7042 55x55x2-4,5	55 (54,8-2 5/32")	5,0	3,0	14,5	2-4,5
KAP 560-7042 57,2x57,2x1,5-3	57,2 (2 1/4")	5,0	3,0	14,5	1,5-3
KAP 560-7042 60x60x1,5-4	60 (59,9-2 23/64")	5,0	4,5	21,0	1,5-4
KAP 560-7042 60x60x2,6-4	60 (59,9-2 23/64")	6,5	6,0	17,5	2,6-4
KAP 560-7042 60x60x4-6	60 (59,9-2 23/64")	5,0	3,0	21,0	4-6
KAP 560-7042 63,5x63,5x1,5-4	63,5 (2 1/2")	6,0	5,0	21,0	1,5-4
KAP 560-7042 65x65x2-4,5	65 (65,1-2 9/16")	5,0	3,0	21,0	2-4,5
KAP 560-7042 65x65x4-6,5	65 (65,1-2 9/16")	5,0	4,5	21,0	4-6,5
KAP 560-7042 70x70x2-4	70 (69,9-2 3/4")	5,0	4,0	18,7	2-4
KAP 560-7042 70x70x2-4,5	70 (69,9-2 3/4")	5,0	5,0	18,7	2-4,5
KAP 560-7042 70x70x3,6-5	70 (69,9-2 3/4")	8,0	6,0	20,0	3,6-5
KAP 560-7042 75x75x2-4,5	75 (2 61/64")	6,0	4,5	21,0	2-4,5
KAP 560-7042 75x75x4-6,5	75 (2 61/64")	6,0	4,5	21,0	4-6,5
KAP 560-7042 76,2x76,2x2,5-5	76,2 (3")	6,0	4,5	21,0	2,5-5
KAP 560-7042 80x80x2-4,5	80 (79,8-3 9/64")	6,0	4,5	21,0	2-4,5
KAP 560-7042 80x80x4-7	80 (79,8-3 9/64")	6,0	4,5	21,0	4-7
KAP 560-7042 80x80x2,9-5	80 (79,8-3 9/64")	8,0	4,0	24,0	2,9-5
KAP 560-7042 82,6x82,6x2-4,5	82,6 (3 1/4")	6,0	4,5	21,0	2-4,5
KAP 560-7042 88,9x88,9x2-4	88,9 (3 1/2")	6,0	5,0	21,0	2-4
KAP 560-7042 90x90x3-5	90 (90,1-3 35/64")	6,0	4,5	21,0	3-5
KAP 560-7042 90x90x4,5-7	90 (90,1-3 35/64")	6,0	4,5	21,0	4,5-7
KAP 560-7042 95x95x3,5-5,5	95 (95,3-3 3/4")	6,0	4,0	21,0	3,5-5,5
KAP 560-7042 100x100x1-4	100 (3 5/16")	7,0	7,0	24,0	1-4
KAP 560-7042 100x100x5-8	100 (3 5/16")	7,0	8,5	24,0	5-8
KAP 560-7042 101,6x101,6x2,5-5	101,6 (4")	6,0	5,0	24,0	2,5-5
KAP 560-7042 110x110x3-5	110 (109,9-4 21/64")	6,0	4,5	24,5	3-5
KAP 560-7042 114,3x114,3x2,5-5,5	114,3 (4 1/2")	6,0	5,0	24,0	2,5-5,5
KAP 560-7042 120x120x2,5-5	120 (119,9-4 23/32")	5,0	4,5	25,0	2,5-5
KAP 560-7042 125x125x3-6	125 (4 59/64")	6,0	4,5	24,5	3-6
KAP 560-7042 140x140x4-7	140 (139,7-5 1/2")	6,0	6,0	35,0	4-7
KAP 560-7042 150x150x5-8	150 (5 29/32")	7,0	8,0	27,0	5-8
KAP 560-7042 150x150x10-12,5	150 (5 29/32")	7,0	8,0	27,0	10-12,5



KAP 560-9003

TAPPO QUADRATO A LAMELLE A TESTA PIANA
 SQUARE RIBBED PLUG WITH FLAT HEAD

Materiale / Material: LD-PE
 Colore / Colour: bianco / white
 Dimensioni / Dimensions: mm



RIFERIMENTO REFERENCE	A	H	H1	L	T
KAP 560-9003 10x10x1,3-2	10 (9,9-25/64")	4,0	3,0	11,5	1,3-2
KAP 560-9003 12x12x0,5-2	12 (11,9-15/32")	4,0	3,0	11,5	0,5-2
KAP 560-9003 13x13x0,5-2	13 (12,7-1/2")	4,0	3,0	11,5	0,5-2
KAP 560-9003 15x15x0,8-2	15 (15,1-19/32")	3,0	3,0	11,5	0,8-2
KAP 560-9003 16x16x0,8-2	16 (15,9-5/8")	5,0	3,0	11,5	0,8-2
KAP 560-9003 18x18x1,5-3	18 (17,9-45/64")	5,0	3,0	11,5	1,5-3
KAP 560-9003 19,1x19,1x1,2-2,9	19,1 (3/4")	5,0	3,0	11,5	1,2-2,9
KAP 560-9003 20x20x0,8-3	20 (19,8-25/32")	5,0	3,0	11,5	0,8-3
KAP 560-9003 22x22x0,8-3	22 (22,2-7/8")	5,0	3,0	11,5	0,8-3
KAP 560-9003 25x25x1-3	25 (63/64")	5,0	3,0	11,5	1-3
KAP 560-9003 25,4x25,4x1,2-3,2	25,4 (1")	5,0	3,0	11,5	1,2-3,2
KAP 560-9003 28x28x1-3	28 (27,8-1 3/32")	5,0	3,0	11,5	1-3
KAP 560-9003 30x30x1-2,5	30 (29,8-1 11/64")	5,0	3,0	11,5	1-2,5
KAP 560-9003 30x30x2,5-5	30 (29,8-1 11/64")	5,0	3,0	11,5	2,5-5
KAP 560-9003 32x32x1-3,5	32 (31,8-1 1/4")	5,0	3,0	11,5	1-3,5
KAP 560-9003 34x34x1-3	34 (34,1-1 11/32")	5,0	3,0	14,5	1-3
KAP 560-9003 35x35x0,8-3	35 (34,9-1 3/8")	5,0	3,0	14,5	0,8-3
KAP 560-9003 35x35x3-5	35 (34,9-1 3/8")	5,0	3,0	14,5	3-5
KAP 560-9003 38x38x1-3,5	38 (38,1-1 1/2")	5,0	3,0	14,5	1-3,5
KAP 560-9003 40x40x1-3	40 (40,1-1 37/64")	5,0	3,0	14,5	1-3
KAP 560-9003 40x40x3-5	40 (40,1-1 37/64")	5,0	3,0	14,5	3-5
KAP 560-9003 45x45x1-3	45 (44,8-1 49/64")	5,0	3,0	14,5	1-3
KAP 560-9003 45x45x3-5	45 (44,8-1 49/64")	5,0	3,0	14,5	3-5
KAP 560-9003 48x48x1-2,5	48 (48,4-1 29/32")	5,0	3,0	14,5	1-2,5



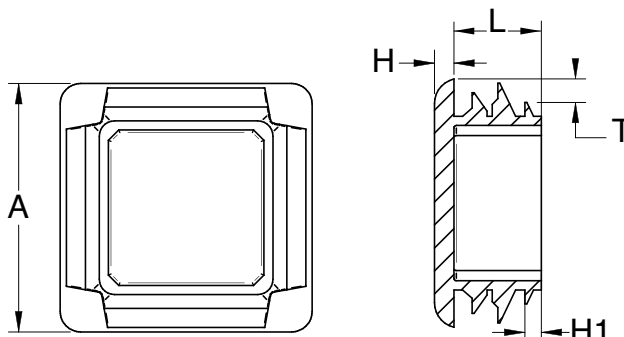
RIFERIMENTO REFERENCE	A	H	H1	L	T
KAP 560-9003 48x48x2,5-4,5	48 (48,4-1 29/32")	5,0	3,0	14,5	2,5-4,5
KAP 560-9003 50x50x0,8-3	50 (1 31/32")	5,0	3,0	14,5	0,8-3
KAP 560-9003 50x50x2,6-4	50 (1 31/32")	6,5	6,5	24,5	2,6-4
KAP 560-9003 50x50x3-5	50 (1 31/32")	5,0	3,0	14,5	3-5
KAP 560-9003 50,8x50,8x1,2-3,2	50,8 (2")	5,0	3,0	14,5	1,2-3,2
KAP 560-9003 52x52x1,5-3,5	52 (2 3/64")	5,0	3,0	14,5	1,5-3,5
KAP 560-9003 55x55x2-4,5	55 (54,8-2 5/32")	5,0	3,0	14,5	2-4,5
KAP 560-9003 57,2x57,2x1,5-3	57,2 (2 1/4")	5,0	3,0	14,5	1,5-3
KAP 560-9003 60x60x1,5-4	60 (59,9-2 23/64")	5,0	4,5	21,0	1,5-4
KAP 560-9003 60x60x2,6-4	60 (59,9-2 23/64")	6,5	6,0	17,5	2,6-4
KAP 560-9003 60x60x4-6	60 (59,9-2 23/64")	5,0	3,0	21,0	4-6
KAP 560-9003 63,5x63,5x1,5-4	63,5 (2 1/2")	6,0	5,0	21,0	1,5-4
KAP 560-9003 65x65x2-4,5	65 (65,1-2 9/16")	5,0	3,0	21,0	2-4,5
KAP 560-9003 65x65x4-6,5	65 (65,1-2 9/16")	5,0	4,5	21,0	4-6,5
KAP 560-9003 70x70x2-4	70 (69,9-2 3/4")	5,0	4,0	18,7	2-4
KAP 560-9003 70x70x2-4,5	70 (69,9-2 3/4")	5,0	5,0	18,7	2-4,5
KAP 560-9003 70x70x3,6-5	70 (69,9-2 3/4")	8,0	6,0	20,0	3,6-5
KAP 560-9003 75x75x2-4,5	75 (2 61/64")	6,0	4,5	21,0	2-4,5
KAP 560-9003 75x75x4-6,5	75 (2 61/64")	6,0	4,5	21,0	4-6,5
KAP 560-9003 76,2x76,2x2,5-5	76,2 (3")	6,0	4,5	21,0	2,5-5
KAP 560-9003 80x80x2-4,5	80 (79,8-3 9/64")	6,0	4,5	21,0	2-4,5
KAP 560-9003 80x80x4-7	80 (79,8-3 9/64")	6,0	4,5	21,0	4-7
KAP 560-9003 80x80x2,9-5	80 (79,8-3 9/64")	8,0	4,0	24,0	2,9-5
KAP 560-9003 82,6x82,6x2-4,5	82,6 (3 1/4")	6,0	4,5	21,0	2-4,5
KAP 560-9003 88,9x88,9x2-4	88,9 (3 1/2")	6,0	5,0	21,0	2-4
KAP 560-9003 90x90x3-5	90 (90,1-3 35/64")	6,0	4,5	21,0	3-5
KAP 560-9003 90x90x4,5-7	90 (90,1-3 35/64")	6,0	4,5	21,0	4,5-7
KAP 560-9003 95x95x3,5-5,5	95 (95,3-3 3/4")	6,0	4,0	21,0	3,5-5,5
KAP 560-9003 100x100x1-4	100 (3 5/16")	7,0	7,0	24,0	1-4
KAP 560-9003 100x100x5-8	100 (3 5/16")	7,0	8,5	24,0	5-8
KAP 560-9003 101,6x101,6x2,5-5	101,6 (4")	6,0	5,0	24,0	2,5-5
KAP 560-9003 110x110x3-5	110 (109,9-4 21/64")	6,0	4,5	24,5	3-5
KAP 560-9003 114,3x114,3x2,5-5,5	114,3 (4 1/2")	6,0	5,0	24,0	2,5-5,5
KAP 560-9003 120x120x2,5-5	120 (119,9-4 23/32")	5,0	4,5	25,0	2,5-5
KAP 560-9003 125x125x3-6	125 (4 59/64")	6,0	4,5	24,5	3-6
KAP 560-9003 140x140x4-7	140 (139,7-5 1/2")	6,0	6,0	35,0	4-7
KAP 560-9003 150x150x5-8	150 (5 29/32")	7,0	8,0	27,0	5-8
KAP 560-9003 150x150x10-12,5	150 (5 29/32")	7,0	8,0	27,0	10-12,5



KAP 560-9005

TAPPO QUADRATO A LAMELLE A TESTA PIANA
 SQUARE RIBBED PLUG WITH FLAT HEAD

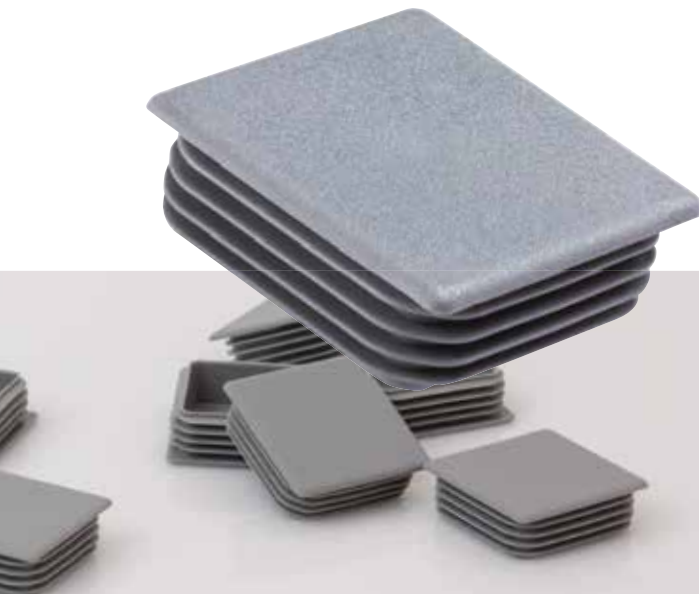
Materiale / Material: LD-PE
 Colore / Colour: nero / black
 Dimensioni / Dimensions: mm



RIFERIMENTO REFERENCE	A	H	H1	L	T
KAP 560-9005 10x10x1,3-2	10 (9,9-25/64")	4,0	3,0	11,5	1,3-2
KAP 560-9005 12x12x0,5-2	12 (11,9-15/32")	4,0	3,0	11,5	0,5-2
KAP 560-9005 13x13x0,5-2	13 (12,7-1/2")	4,0	3,0	11,5	0,5-2
KAP 560-9005 15x15x0,8-2	15 (15,1-19/32")	3,0	3,0	11,5	0,8-2
KAP 560-9005 16x16x0,8-2	16 (15,9-5/8")	5,0	3,0	11,5	0,8-2
KAP 560-9005 18x18x1,5-3	18 (17,9-45/64")	5,0	3,0	11,5	1,5-3
KAP 560-9005 19,1x19,1x1,2-2,9	19,1 (3/4")	5,0	3,0	11,5	1,2-2,9
KAP 560-9005 20x20x0,8-3	20 (19,8-25/32")	5,0	3,0	11,5	0,8-3
KAP 560-9005 22x22x0,8-3	22 (22,2-7/8")	5,0	3,0	11,5	0,8-3
KAP 560-9005 25x25x1-3	25 (63/64")	5,0	3,0	11,5	1-3
KAP 560-9005 25,4x25,4x1,2-3,2	25,4 (1")	5,0	3,0	11,5	1,2-3,2
KAP 560-9005 28x28x1-3	28 (27,8-1 3/32")	5,0	3,0	11,5	1-3
KAP 560-9005 30x30x1-2,5	30 (29,8-1 11/64")	5,0	3,0	11,5	1-2,5
KAP 560-9005 30x30x2,5-5	30 (29,8-1 11/64")	5,0	3,0	11,5	2,5-5
KAP 560-9005 32x32x1-3,5	32 (31,8-1 1/4")	5,0	3,0	11,5	1-3,5
KAP 560-9005 34x34x1-3	34 (34,1-1 11/32")	5,0	3,0	14,5	1-3
KAP 560-9005 35x35x0,8-3	35 (34,9-1 3/8")	5,0	3,0	14,5	0,8-3
KAP 560-9005 35x35x3-5	35 (34,9-1 3/8")	5,0	3,0	14,5	3-5
KAP 560-9005 38x38x1-3,5	38 (38,1-1 1/2")	5,0	3,0	14,5	1-3,5
KAP 560-9005 40x40x1-3	40 (40,1-1 37/64")	5,0	3,0	14,5	1-3
KAP 560-9005 40x40x3-5	40 (40,1-1 37/64")	5,0	3,0	14,5	3-5
KAP 560-9005 45x45x1-3	45 (44,8-1 49/64")	5,0	3,0	14,5	1-3
KAP 560-9005 45x45x3-5	45 (44,8-1 49/64")	5,0	3,0	14,5	3-5
KAP 560-9005 48x48x1-2,5	48 (48,4-1 29/32")	5,0	3,0	14,5	1-2,5



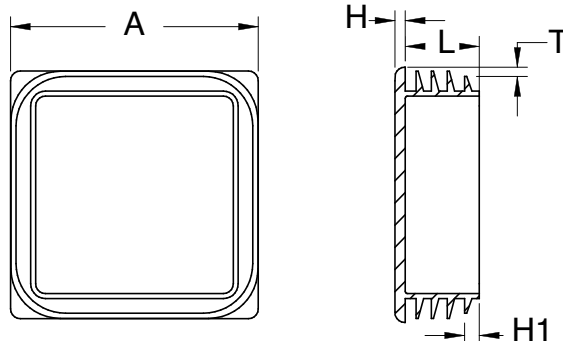
RIFERIMENTO REFERENCE	A	H	H1	L	T
KAP 560-9005 48x48x2,5-4,5	48 (48,4-1 29/32")	5,0	3,0	14,5	2,5-4,5
KAP 560-9005 50x50x0,8-3	50 (1 31/32")	5,0	3,0	14,5	0,8-3
KAP 560-9005 50x50x2,6-4	50 (1 31/32")	6,5	6,5	24,5	2,6-4
KAP 560-9005 50x50x3-5	50 (1 31/32")	5,0	3,0	14,5	3-5
KAP 560-9005 50,8x50,8x1,2-3,2	50,8 (2")	5,0	3,0	14,5	1,2-3,2
KAP 560-9005 52x52x1,5-3,5	52 (2 3/64")	5,0	3,0	14,5	1,5-3,5
KAP 560-9005 55x55x2-4,5	55 (54,8-2 5/32")	5,0	3,0	14,5	2-4,5
KAP 560-9005 57,2x57,2x1,5-3	57,2 (2 1/4")	5,0	3,0	14,5	1,5-3
KAP 560-9005 60x60x1,5-4	60 (59,9-2 23/64")	5,0	4,5	21,0	1,5-4
KAP 560-9005 60x60x2,6-4	60 (59,9-2 23/64")	6,5	6,0	17,5	2,6-4
KAP 560-9005 60x60x4-6	60 (59,9-2 23/64")	5,0	3,0	21,0	4-6
KAP 560-9005 63,5x63,5x1,5-4	63,5 (2 1/2")	6,0	5,0	21,0	1,5-4
KAP 560-9005 65x65x2-4,5	65 (65,1-2 9/16")	5,0	3,0	21,0	2-4,5
KAP 560-9005 65x65x4-6,5	65 (65,1-2 9/16")	5,0	4,5	21,0	4-6,5
KAP 560-9005 70x70x2-4	70 (69,9-2 3/4")	5,0	4,0	18,7	2-4
KAP 560-9005 70x70x2-4,5	70 (69,9-2 3/4")	5,0	5,0	18,7	2-4,5
KAP 560-9005 70x70x3,6-5	70 (69,9-2 3/4")	8,0	6,0	20,0	3,6-5
KAP 560-9005 75x75x2-4,5	75 (2 61/64")	6,0	4,5	21,0	2-4,5
KAP 560-9005 75x75x4-6,5	75 (2 61/64")	6,0	4,5	21,0	4-6,5
KAP 560-9005 76,2x76,2x2,5-5	76,2 (3")	6,0	4,5	21,0	2,5-5
KAP 560-9005 80x80x2-4,5	80 (79,8-3 9/64")	6,0	4,5	21,0	2-4,5
KAP 560-9005 80x80x4-7	80 (79,8-3 9/64")	6,0	4,5	21,0	4-7
KAP 560-9005 80x80x2,9-5	80 (79,8-3 9/64")	8,0	4,0	24,0	2,9-5
KAP 560-9005 82,6x82,6x2-4,5	82,6 (3 1/4")	6,0	4,5	21,0	2-4,5
KAP 560-9005 88,9x88,9x2-4	88,9 (3 1/2")	6,0	5,0	21,0	2-4
KAP 560-9005 90x90x3-5	90 (90,1-3 35/64")	6,0	4,5	21,0	3-5
KAP 560-9005 90x90x4,5-7	90 (90,1-3 35/64")	6,0	4,5	21,0	4,5-7
KAP 560-9005 95x95x3,5-5,5	95 (95,3-3 3/4")	6,0	4,0	21,0	3,5-5,5
KAP 560-9005 100x100x1-4	100 (3 5/16")	7,0	7,0	24,0	1-4
KAP 560-9005 100x100x5-8	100 (3 5/16")	7,0	8,5	24,0	5-8
KAP 560-9005 101,6x101,6x2,5-5	101,6 (4")	6,0	5,0	24,0	2,5-5
KAP 560-9005 110x110x3-5	110 (109,9-4 21/64")	6,0	4,5	24,5	3-5
KAP 560-9005 114,3x114,3x2,5-5,5	114,3 (4 1/2")	6,0	5,0	24,0	2,5-5,5
KAP 560-9005 120x120x2,5-5	120 (119,9-4 23/32")	5,0	4,5	25,0	2,5-5
KAP 560-9005 125x125x3-6	125 (4 59/64")	6,0	4,5	24,5	3-6
KAP 560-9005 140x140x4-7	140 (139,7-5 1/2")	6,0	6,0	35,0	4-7
KAP 560-9005 150x150x5-8	150 (5 29/32")	7,0	8,0	27,0	5-8
KAP 560-9005 150x150x10-12,5	150 (5 29/32")	7,0	8,0	27,0	10-12,5



KAP 561-7042

TAPPO QUADRATO A LAMELLE A TESTA PIANA SOTTILE
 SQUARE RIBBED PLUG WITH SLIM FLAT HEAD

Materiale / Material: LD-PE
 Colore / Colour: grigio / grey
 Dimensioni / Dimensions: mm



RIFERIMENTO REFERENCE		A	H	H1	L	T
KAP 561-7042	20x20x0,8-3	20 (19,8-25/32")	2,0	3,0	11,5	0,8-3
KAP 561-7042	25x25x0,8-2,5	25 (63/64")	2,0	3,0	11,5	0,8-2,5
KAP 561-7042	30x30x1-2,5	30 (29,8-1 11/64")	2,0	3,0	11,5	1-2,5
KAP 561-7042	35x35x0,8-2,5	35 (34,9-1 3/8")	2,0	3,0	14,5	0,8-2,5
KAP 561-7042	40x40x1-2,5	40 (40,1-1 37/64")	2,0	3,0	14,5	1-2,5
KAP 561-7042	45x45x1-2,5	45 (44,8-1 49/64")	2,0	3,0	14,5	1-2,5
KAP 561-7042	50x50x1-2,5	50 (1 31/32")	2,0	3,0	14,5	1-2,5
KAP 561-7042	140x140x4-6	140 (139,7-5 1/2")	3,0	6,0	35,0	4-6

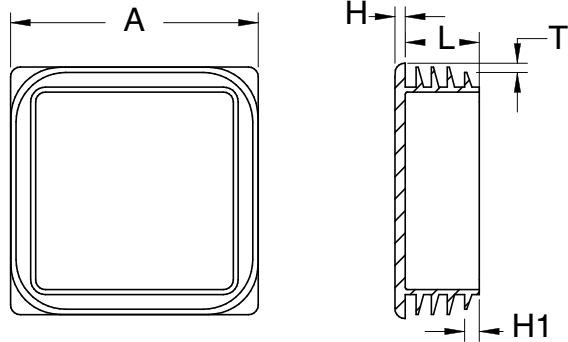




KAP 561-9003

TAPPO QUADRATO A LAMELLE A TESTA PIANA SOTTILE
 SQUARE RIBBED PLUG WITH SLIM FLAT HEAD

Materiale / Material: LD-PE
 Colore / Colour: bianco / white
 Dimensioni / Dimensions: mm



RIFERIMENTO REFERENCE		A	H	H1	L	T
KAP 561-9003	20x20x0,8-3	20 (19,8-25/32")	2,0	3,0	11,5	0,8-3
KAP 561-9003	25x25x0,8-2,5	25 (63/64")	2,0	3,0	11,5	0,8-2,5
KAP 561-9003	30x30x1-2,5	30 (29,8-1 11/64")	2,0	3,0	11,5	1-2,5
KAP 561-9003	35x35x0,8-2,5	35 (34,9-1 3/8")	2,0	3,0	14,5	0,8-2,5
KAP 561-9003	40x40x1-2,5	40 (40,1-1 37/64")	2,0	3,0	14,5	1-2,5
KAP 561-9003	45x45x1-2,5	45 (44,8-1 49/64")	2,0	3,0	14,5	1-2,5
KAP 561-9003	50x50x1-2,5	50 (1 31/32")	2,0	3,0	14,5	1-2,5
KAP 561-9003	140x140x4-6	140 (139,7-5 1/2")	3,0	6,0	35,0	4-6





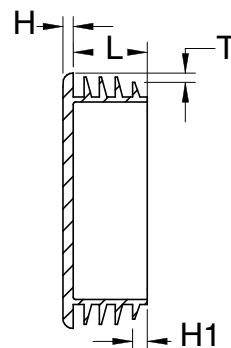
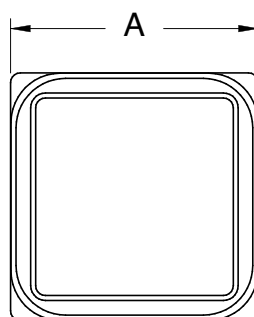
KAP 561-9005

TAPPO QUADRATO A LAMELLE A TESTA PIANA SOTTILE
 SQUARE RIBBED PLUG WITH SLIM FLAT HEAD

Materiale / Material: LD-PE

Colore / Colour: nero / black

Dimensioni / Dimensions: mm



RIFERIMENTO REFERENCE		A	H	H1	L	T
KAP 561-9005	20x20x0,8-3	20 (19,8-25/32")	2,0	3,0	11,5	0,8-3
KAP 561-9005	25x25x0,8-2,5	25 (63/64")	2,0	3,0	11,5	0,8-2,5
KAP 561-9005	30x30x1-2,5	30 (29,8-1 11/64")	2,0	3,0	11,5	1-2,5
KAP 561-9005	35x35x0,8-2,5	35 (34,9-1 3/8")	2,0	3,0	14,5	0,8-2,5
KAP 561-9005	40x40x1-2,5	40 (40,1-1 37/64")	2,0	3,0	14,5	1-2,5
KAP 561-9005	45x45x1-2,5	45 (44,8-1 49/64")	2,0	3,0	14,5	1-2,5
KAP 561-9005	50x50x1-2,5	50 (1 31/32")	2,0	3,0	14,5	1-2,5
KAP 561-9005	140x140x4-6	140 (139,7-5 1/2")	3,0	6,0	35,0	4-6



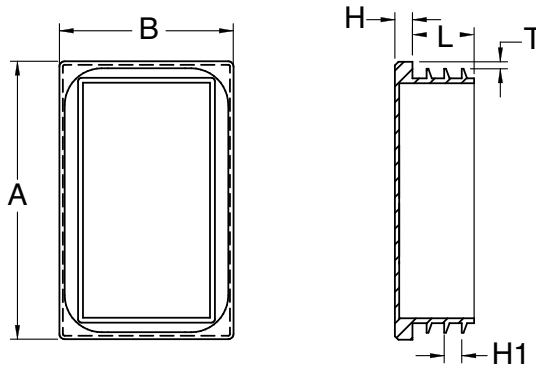




KAP 570 - 7042

TAPPO RETTANGOLARE A LAMELLE A TESTA PIANA
RECTANGULAR RIBBED PLUG WITH FLAT HEAD

Materiale / Material: LD-PE
Colore / Colour: grigio / grey
Dimensioni / Dimensions: mm



RIFERIMENTO REFERENCE	AxB	H	H1	L	T
KAP 570-7042 20x10x0,8-2	20x10 (25/32"x25/64")	3,0	3,0	11,5	0,8-2
KAP 570-7042 20x15x1-2	20x15 (25/32"x19/32")	5,0	3,0	11,5	1-2
KAP 570-7042 20x16x0,8-2,5	20x16 (25/32"x5/8")	5,0	3,0	11,5	0,8-2,5
KAP 570-7042 25x10x0,8-2	25x10 (63/64"x25/64")	3,0	3,0	11,5	0,8-2
KAP 570-7042 25x15x0,8-2,5	25x15 (63/64"x19/32")	5,0	3,0	11,5	0,8-2,5
KAP 570-7042 25x20x1-3	25x20 (63/64"x25/32")	5,0	3,0	11,5	1-3
KAP 570-7042 30x10x0,8-2	30x10 (1 11/64"x25/64")	3,0	3,0	11,5	0,8-2
KAP 570-7042 30x15x0,8-2,5	30x15 (1 11/64"x19/32")	5,0	3,0	11,5	0,8-2,5
KAP 570-7042 30x20x1-3	30x20 (1 11/64"x25/32")	5,0	3,0	11,5	1-3
KAP 570-7042 30x25x0,8-3	30x25 (1 11/64"x63/64")	5,0	3,0	11,5	0,8-3
KAP 570-7042 30x25x1,5	30x25 (1 11/64"x63/64")	5,0	3,5	13,5	1,5
KAP 570-7042 35x10x0,8-2	35x10 (1 3/8"x25/64")	3,5	3,0	11,5	0,8-2
KAP 570-7042 35x15x1-3	35x15 (1 3/8"x19/32")	5,0	3,0	11,5	1-3
KAP 570-7042 35x20x0,8-3	35x20 (1 3/8"x25/32")	5,0	3,0	11,5	0,8-3
KAP 570-7042 35x25x0,8-3	35x25 (1 3/8"x63/64")	5,0	3,0	11,5	0,8-3
KAP 570-7042 38,1x19,1x0,8-2	38,1x19,1 (1 1/2"x3/4")	5,0	3,0	11,5	0,8-2
KAP 570-7042 38,1x25,4x0,8-3	38,1x25,4 (1 1/2"x1")	5,0	3,0	11,5	0,8-3
KAP 570-7042 40x10x1,5-2	40x10 (1 37/64"x25/64")	5,0	3,0	11,0	1,5-2
KAP 570-7042 40x15x1-2	40x15 (1 37/64"x19/32")	5,0	3,0	11,7	1-2
KAP 570-7042 40x20x0,8-3	40x20 (1 37/64"x25/32")	5,0	3,0	11,5	0,8-3
KAP 570-7042 40x20x3	40x20 (1 37/64"x25/32")	5,0	3,5	13,0	3
KAP 570-7042 40x25x1-3,5	40x25 (1 37/64"x63/64")	5,0	3,0	11,5	1-3,5
KAP 570-7042 40x25x3-5	40x25 (1 37/64"x63/64")	5,0	3,0	11,5	3-5
KAP 570-7042 40x30x1-3	40x30 (1 37/64"x1 11/64")	5,0	3,0	11,5	1-3
KAP 570-7042 40x30x3-5	40x30 (1 37/64"x1 11/64")	5,0	3,0	11,5	3-5
KAP 570-7042 40x35x1-3	40x35 (1 37/64"x1 3/8")	5,0	3,0	11,5	1-3



RIFERIMENTO REFERENCE	AxB	H	H1	L	T
KAP 570-7042 45x15x1-2	45x15 (1 49/64"x19/32")	5,0	3,0	11,0	1-2
KAP 570-7042 45x20x1-3	45x20 (1 49/64"x25/32")	5,0	3,0	11,5	1-3
KAP 570-7042 45x25x0,8-3	45x25 (1 49/64"x63/64")	5,0	3,0	11,5	0,8-3
KAP 570-7042 45x25x3-5	45x25 (1 49/64"x63/64")	5,0	3,0	11,5	3-5
KAP 570-7042 45x30x0,8-3	45x30 (1 49/64"x1 11/64")	5,0	3,0	11,5	0,8-3
KAP 570-7042 45x30x3-5	45x30 (1 49/64"x1 11/64")	5,0	3,0	11,5	3-5
KAP 570-7042 45x35x1-3,5	45x35 (1 49/64"x1 3/8")	5,0	3,0	11,5	1-3,5
KAP 570-7042 50x10x0,8-2	50x10 (1 31/32"x25/64")	3,5	3,0	11,5	0,8-2
KAP 570-7042 50x20x0,8-3	50x20 (1 31/32"x25/32")	5,0	3,0	14,5	0,8-3
KAP 570-7042 50x25x0,8-3	50x25 (1 31/32"x63/64")	5,0	3,0	14,5	0,8-3
KAP 570-7042 50x25x3-4,5	50x25 (1 31/32"x63/64")	5,0	3,0	14,5	3-4,5
KAP 570-7042 50x30x1-3	50x30 (1 31/32"x1 11/64")	5,0	3,0	14,5	1-3
KAP 570-7042 50x30x3	50x30 (1 31/32"x1 11/64")	5,0	4,0	14,0	3
KAP 570-7042 50x30x3-5	50x30 (1 31/32"x1 11/64")	5,0	3,0	14,5	3-5
KAP 570-7042 50x34x1-3,5	50x34(1 31/32"x1 11/32")	5,0	3,0	14,5	1-3,5
KAP 570-7042 50x35x1-3,5	50x35 (1 31/32"x1 3/8")	5,0	3,0	14,5	1-3,5
KAP 570-7042 50x40x0,8-3	50x40 (1 31/32"x1 37/64")	5,0	3,0	14,5	0,8-3
KAP 570-7042 50x40x1,5-3	50x40 (1 31/32"x1 37/64")	5,0	3,5	12,0	1,5-3
KAP 570-7042 50x40x3-4	50x40 (1 31/32"x1 37/64")	5,0	3,5	12,6	3-4
KAP 570-7042 50,8x25,4x1-3	50,8x25,4 (2"x1")	5,0	3,0	14,5	1-3
KAP 570-7042 50,8x38,1x1-3	50,8x38,1 (2"x1 1/2")	5,0	3,0	14,5	1-3
KAP 570-7042 55x34x1,5-4	55x34 (2 5/32"x1 11/32")	5,0	3,0	14,5	1,5-4
KAP 570-7042 55x40x1,5-4	55x40 (2 5/32"x1 37/64")	5,0	3,0	14,5	1,5-4
KAP 570-7042 60x15x1-2	60x15 (2 23/64"x19/32")	5,0	3,0	14,5	1-2
KAP 570-7042 60x20x1-3	60x20 (2 23/64"x25/32")	5,0	3,0	14,5	1-3
KAP 570-7042 60x25x0,8-3	60x25 (2 23/64"x63/64")	5,0	3,0	14,5	0,8-3
KAP 570-7042 60x30x1-3	60x30 (2 23/64"x1 11/64")	5,0	3,0	14,5	1-3
KAP 570-7042 60x30x3-5	60x30 (2 23/64"x1 11/64")	5,0	3,0	14,5	3-5
KAP 570-7042 60x33x1,5-3,5	60x33 (2 23/64"x1 19/64")	5,0	3,0	14,5	1,5-3,5
KAP 570-7042 60x35x1,5-3,5	60x35 (2 23/64"x1 3/8")	5,0	3,0	14,5	1,5-3,5
KAP 570-7042 60x40x1-3	60x40 (2 23/64"x1 37/64")	5,0	3,0	14,5	1-3
KAP 570-7042 60x40x3-5	60x40 (2 23/64"x1 37/64")	5,0	3,0	14,5	3-5
KAP 570-7042 60x40x4-5	60x40 (2 23/64"x1 37/64")	5,0	4,0	14,0	4-5
KAP 570-7042 60x45x1,5-4	60x45 (2 23/64"x1 49/64")	5,0	3,0	14,5	1,5-4
KAP 570-7042 60x50x1,5-3,5	60x50 (2 23/64"x1 31/32")	5,0	3,0	14,5	1,5-3,5
KAP 570-7042 63,5x25,4x1-3	63,5x25,4 (2 1/2"x1")	5,0	3,0	14,5	1-3
KAP 570-7042 63,5x38,1x1,2-3,5	63,5x38,1 (2 1/2"x1 1/2")	5,0	3,0	14,5	1,2-3,5
KAP 570-7042 65x35x1-3	65x35 (2 9/16"x1 3/8")	5,0	3,0	14,5	1-3
KAP 570-7042 70x20x1-2	70x20 (2 3/4"x25/32")	5,0	5,0	18,8	1-2
KAP 570-7042 70x25x1-2	70x25 (2 3/4"x63/64")	5,0	4,0	17,0	1-2



RIFERIMENTO REFERENCE	AxB	H	H1	L	T
KAP 570-7042 70x30x1-2	70x30 (2 3/4"x1 11/64")	5,7	5,0	17,7	1-2
KAP 570-7042 70x30x1-3	70x30 (2 3/4"x1 11/64")	5,0	3,0	14,5	1-3
KAP 570-7042 70x35x1,5-3,5	70x35(2 3/4"x1 3/8")	5,0	3,0	14,5	1,5-3,5
KAP 570-7042 70x40x1-3	70x40 (2 3/4"x1 37/64")	5,0	3,0	14,5	1-3
KAP 570-7042 70x40x1-2	70x40 (2 3/4"x1 37/64")	5,0	4,5	17,1	1-2
KAP 570-7042 70x40x4	70x40 (2 3/4"x1 37/64")	5,5	4,5	17,5	4
KAP 570-7042 70x50x2-4	70x50 (2 3/4"x1 31/32")	5,0	3,0	14,5	2-4
KAP 570-7042 75x25x1-3	75x25 (2 61/64"x63/64")	5,0	3,0	14,5	1-3
KAP 570-7042 75x50x0,8-2,5	75x50 (2 61/64"x1 31/32")	5,0	3,0	14,5	0,8-2,5
KAP 570-7042 75x50x2,5-4,5	75x50 (2 61/64"x1 31/32")	5,0	3,0	14,5	2,5-4,5
KAP 570-7042 76,2x25,4x1,5-3,5	76,2x25,4 (3"x1")	5,0	3,0	14,5	1,5-3,5
KAP 570-7042 76,2x38,1x1,2-3,5	76,2x38,1 (3"x1 1/2")	5,0	3,0	14,5	1,2-3,5
KAP 570-7042 76,2x50,8x1,5-3	76,2x50,8 (3"x2")	5,0	3,0	14,5	1,5-3
KAP 570-7042 76,2x50,8x3-5	76,2x50,8 (3"x2")	5,0	3,0	14,5	3-5
KAP 570-7042 80x20x1-2	80x20 (3 9/64"x25/32")	6,0	5,0	17,6	1-2
KAP 570-7042 80x25x1-3	80x25 (3 9/64"x63/64")	5,0	3,0	14,5	1-3
KAP 570-7042 80x30x1-2,5	80x30 (3 9/64"x1 11/64")	5,0	3,0	14,5	1-2,5
KAP 570-7042 80x30x2,5-4	80x30 (3 9/64"x1 11/64")	5,0	3,0	14,5	2,5-4
KAP 570-7042 80x40x1-3	80x40 (3 9/64"x1 37/64")	5,0	3,0	14,5	1-3
KAP 570-7042 80x40x3-5	80x40 (3 9/64"x1 37/64")	5,0	3,0	14,5	3-5
KAP 570-7042 80x40x3,2-4	80x40 (3 9/64"x1 37/64")	6,5	5,0	19,5	3,2-4
KAP 570-7042 80x45x1,5-3,5	80x45 (3 9/64"x1 49/64")	5,0	3,0	14,5	1,5-3,5
KAP 570-7042 80x50x1,5-3,5	80x50 (3 9/64"x1 31/32")	5,0	4,5	21,5	1,5-3,5
KAP 570-7042 80x50x2-4	80x50 (3 9/64"x1 31/32")	5,0	4,5	24,5	2-4
KAP 570-7042 80x60x1,5-4,5	80x60 (3 9/64"x2 23/64")	5,0	3,0	24,0	1,5-4,5
KAP 570-7042 80x60x4-6	80x60 (3 9/64"x2 23/64")	5,0	3,0	24,0	4-6
KAP 570-7042 80x60x5	80x60 (3 9/64"x2 23/64")	5,0	4,5	18,5	5
KAP 570-7042 88,9x38,1x1,2-3,5	88,9x38,1 (3 1/2"x1 1/2")	5,0	3,0	14,5	1,2-3,5
KAP 570-7042 90x20x1-2,5	90x20 (3 35/64"x25/32")	5,0	3,0	14,5	1-2,5
KAP 570-7042 90x40x2-4	90x40 (3 35/64"x1 37/64")	5,0	3,0	14,5	2-4
KAP 570-7042 90x45x2-4	90x45 (3 35/64"x1 49/64")	5,0	3,0	14,5	2-4
KAP 570-7042 90x50x2-4,5	90x50 (3 35/64"x1 31/32")	5,0	4,5	21,5	2-4,5
KAP 570-7042 90x70x3-5,5	90x70 (3 35/64"x2 3/4")	6,0	4,5	21,5	3-5,5
KAP 570-7042 100x20x1,5-3	100x20 (3 5/16"x25/32")	5,0	3,0	14,5	1,5-3
KAP 570-7042 100x25x1,5-3	100x25 (3 5/16"x63/64")	5,0	3,0	14,5	1,5-3
KAP 570-7042 100x30x1,5-3	100x30 (3 5/16"x1 11/64")	5,0	3,0	14,5	1,5-3
KAP 570-7042 100x40x1,5-3	100x40 (3 5/16"x1 37/64")	5,0	3,0	14,5	1,5-3
KAP 570-7042 100x50x2-3	100x50 (3 5/16"x1 31/32")	5,0	5,0	24,0	2-3
KAP 570-7042 100x50x1,5-4	100x50 (3 5/16"x1 31/32")	5,0	4,5	24,0	1,5-4
KAP 570-7042 100x50x3,2-5	100x50 (3 5/16"x1 31/32")	6,0	8,0	25,0	3,2-5



RIFERIMENTO REFERENCE	AxB	H	H1	LT
KAP 570-7042 100x60x2,5-4	100x60 (3 5/16"x2 23/64")	6,0	4,0	24,5 2,5-4
KAP 570-7042 100x80x3-5,5	100x80 (3 5/16"x3 9/64")	6,0	4,5	24,0 3-5,5
KAP 570-7042 100x80x4-6	100x80 (3 5/16"x3 9/64")	6,5	7,0	18,5 4-6
KAP 570-7042 101,6x50,8x1,5-4	101,6x50,8 (4"x2")	5,0	4,5	24,0 1,5-4
KAP 570-7042 110x30x2-4	110x30 (4 21/64"x1 11/64")	5,0	3,0	14,5 2-4
KAP 570-7042 110x60x3,5-5	110x60 (4 21/64"x2 23/64")	6,0	4,5	24,0 3,5-5
KAP 570-7042 110x70x3-5	110x70 (4 21/64"x2 3/4")	6,0	4,5	24,0 3-5
KAP 570-7042 120x25x1,5-3	120x25 (4 23/32"x63/64")	5,0	3,0	14,5 1,5-3
KAP 570-7042 120x30x1-2,5	120x30 (4 23/32"x1 11/64")	5,0	3,0	14,5 1-2,5
KAP 570-7042 120x40x1,5-2	120x40 (4 23/32"x1 37/64")	5,0	4,0	16,0 1,5-2
KAP 570-7042 120x40x3-5	120x40 (4 23/32"x1 37/64")	6,0	4,5	21,5 3-5
KAP 570-7042 120x50x3-5,5	120x50 (4 23/32"x1 31/32")	6,0	4,5	21,5 3-5,5
KAP 570-7042 120x60x1,5-4	120x60 (4 23/32"x2 23/64")	5,0	5,0	24,5 1,5-4
KAP 570-7042 120x60x4	120x60 (4 23/32"x2 23/64")	5,0	5,0	18,0 4
KAP 570-7042 120x60x5	120x60 (4 23/32"x2 23/64")	5,0	5,0	18,0 5
KAP 570-7042 120x80x2-5,5	120x80 (4 23/32"x3 9/64")	6,0	5,0	24,5 2-5,5
KAP 570-7042 120x80x5-8	120x80 (4 23/32"x3 9/64")	7,0	8,0	25,0 5-8
KAP 570-7042 120x100x3,5- 6	120x100 (4 23/32"x3 5/16")	6,0	4,5	24,0 3,5-6
KAP 570-7042 125x75x2-5	125x75 (4 59/64"x2 61/64")	6,0	4,5	24,5 2-5
KAP 570-7042 140x40x2-4,5	140x40 (5 1/2"x1 37/64")	6,0	5,0	21,5 2-4,5
KAP 570-7042 140x50x2-5	140x50 (5 1/2"x1 31/32")	6,0	4,5	21,5 2-5
KAP 570-7042 140x60x2-4,5	140x60 (5 1/2"x2 23/64")	6,0	4,5	24,5 2-4,5
KAP 570-7042 140x70x2,5-5	140x70 (5 1/2"x2 3/4")	6,0	5,0	24,5 2,5-5
KAP 570-7042 140x70x4-6,5	140x70 (5 1/2"x2 3/4")	6,0	5,0	24,5 4-6,5
KAP 570-7042 140x80x2-4,5	140x80 (5 1/2"x3 9/64")	5,0	4,5	24,5 2-4,5
KAP 570-7042 140x100x3- 6	140x100 (5 1/2"x3 5/16")	6,0	5,0	24,5 3-6
KAP 570-7042 150x30x1,5-3	150x30 (5 29/32"x1 11/64")	6,0	5,0	21,5 1,5-3
KAP 570-7042 150x40x2-4,5	150x40 (5 29/32"x1 37/64")	6,0	5,0	21,5 2-4,5
KAP 570-7042 150x50x2-4	150x50 (5 29/32"x1 31/32")	6,0	8,0	28,0 2-4
KAP 570-7042 150x50x4-7	150x50 (5 29/32"x1 31/32")	6,0	4,5	21,5 4-7
KAP 570-7042 150x60x2,5-5	150x60 (5 29/32"x2 23/64")	6,0	5,0	21,5 2,5-5
KAP 570-7042 150x75x2,5-5	150x75 (5 29/32"x2 61/64")	6,0	5,0	21,5 2,5-5
KAP 570-7042 150x75x5,5-8	150x75 (5 29/32"x2 61/64")	6,0	5,0	21,5 5,5-8
KAP 570-7042 150x100x1,5- 4	150x100 (5 29/32"x3 5/16")	6,0	5,0	24,5 1,5-4
KAP 570-7042 150x100x3-5, 5	150x100 (5 29/32"x3 5/16")	7,0	7,0	27,5 3-5,5
KAP 570-7042 152,4x50,8x3-6	152,4x50,8 (6"x2")	6,0	5,0	21,5 3-6
KAP 570-7042 160x50x2,5-5	160x50 (6 19/64"x1 31/32")	6,0	5,0	21,5 2,5-5
KAP 570-7042 160x60x2,5-5	160x60 (6 19/64"x2 23/64")	6,0	5,0	21,5 2,5-5
KAP 570-7042 160x80x3-5,5	160x80 (6 19/64"x3 5/32")	6,0	5,0	24,5 3-5,5
KAP 570-7042 200x120x6,3- 9	200x120 (7 7/8"x4 23/32")	6,0	5,5	30,5 6,3-9



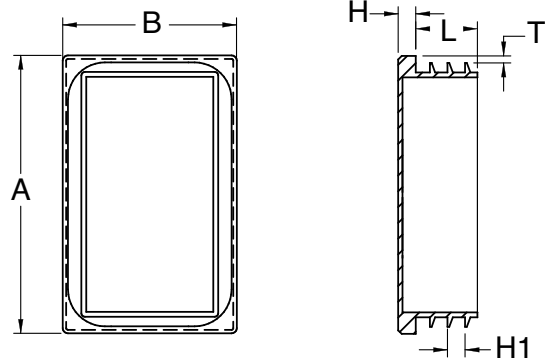
KAP 570 - 9003

TAPPO RETTANGOLARE A LAMELLE A TESTA PIANA
RECTANGULAR RIBBED PLUG WITH FLAT HEAD

Materiale / Material: LD-PE

Colore / Colour: bianco / white

Dimensioni / Dimensions: mm



RIFERIMENTO REFERENCE	AxB	H	H1	L	T
KAP 570-9003 20x10x0,8-2	20x10 (25/32"x25/64")	3,0	3,0	11,5	0,8-2
KAP 570-9003 20x15x1-2	20x15 (25/32"x19/32")	5,0	3,0	11,5	1-2
KAP 570-9003 20x16x0,8-2,5	20x16 (25/32"x5/8")	5,0	3,0	11,5	0,8-2,5
KAP 570-9003 25x10x0,8-2	25x10 (63/64"x25/64")	3,0	3,0	11,5	0,8-2
KAP 570-9003 25x15x0,8-2,5	25x15 (63/64"x19/32")	5,0	3,0	11,5	0,8-2,5
KAP 570-9003 25x20x1-3	25x20 (63/64"x25/32")	5,0	3,0	11,5	1-3
KAP 570-9003 30x10x0,8-2	30x10 (1 11/64"x25/64")	3,0	3,0	11,5	0,8-2
KAP 570-9003 30x15x0,8-2,5	30x15 (1 11/64"x19/32")	5,0	3,0	11,5	0,8-2,5
KAP 570-9003 30x20x1-3	30x20 (1 11/64"x25/32")	5,0	3,0	11,5	1-3
KAP 570-9003 30x25x0,8-3	30x25 (1 11/64"x63/64")	5,0	3,0	11,5	0,8-3
KAP 570-9003 30x25x1,5	30x25 (1 11/64"x63/64")	5,0	3,5	13,5	1,5
KAP 570-9003 35x10x0,8-2	35x10 (1 3/8"x25/64")	3,5	3,0	11,5	0,8-2
KAP 570-9003 35x15x1-3	35x15 (1 3/8"x19/32")	5,0	3,0	11,5	1-3
KAP 570-9003 35x20x0,8-3	35x20 (1 3/8"x25/32")	5,0	3,0	11,5	0,8-3
KAP 570-9003 35x25x0,8-3	35x25 (1 3/8"x63/64")	5,0	3,0	11,5	0,8-3
KAP 570-9003 38,1x19,1x0,8-2	38,1x19,1 (1 1/2"x3/4")	5,0	3,0	11,5	0,8-2
KAP 570-9003 38,1x25,4x0,8-3	38,1x25,4 (1 1/2"x1")	5,0	3,0	11,5	0,8-3
KAP 570-9003 40x10x1,5-2	40x10 (1 37/64"x25/64")	5,0	3,0	11,0	1,5-2
KAP 570-9003 40x15x1-2	40x15 (1 37/64"x19/32")	5,0	3,0	11,7	1-2
KAP 570-9003 40x20x0,8-3	40x20 (1 37/64"x25/32")	5,0	3,0	11,5	0,8-3
KAP 570-9003 40x20x3	40x20 (1 37/64"x25/32")	5,0	3,5	13,0	3
KAP 570-9003 40x25x1-3,5	40x25 (1 37/64"x63/64")	5,0	3,0	11,5	1-3,5
KAP 570-9003 40x25x3-5	40x25 (1 37/64"x63/64")	5,0	3,0	11,5	3-5
KAP 570-9003 40x30x1-3	40x30 (1 37/64"x1 11/64")	5,0	3,0	11,5	1-3
KAP 570-9003 40x30x3-5	40x30 (1 37/64"x1 11/64")	5,0	3,0	11,5	3-5
KAP 570-9003 40x35x1-3	40x35 (1 37/64"x1 3/8")	5,0	3,0	11,5	1-3



RIFERIMENTO REFERENCE	AxB	H	H1	L	T
KAP 570-9003 45x15x1-2	45x15 (1 49/64"x19/32")	5,0	3,0	11,0	1-2
KAP 570-9003 45x20x1-3	45x20 (1 49/64"x25/32")	5,0	3,0	11,5	1-3
KAP 570-9003 45x25x0,8-3	45x25 (1 49/64"x63/64")	5,0	3,0	11,5	0,8-3
KAP 570-9003 45x25x3-5	45x25 (1 49/64"x63/64")	5,0	3,0	11,5	3-5
KAP 570-9003 45x30x0,8-3	45x30 (1 49/64"x1 11/64")	5,0	3,0	11,5	0,8-3
KAP 570-9003 45x30x3-5	45x30 (1 49/64"x1 11/64")	5,0	3,0	11,5	3-5
KAP 570-9003 45x35x1-3,5	45x35 (1 49/64"x1 3/8")	5,0	3,0	11,5	1-3,5
KAP 570-9003 50x10x0,8-2	50x10 (1 31/32"x25/64")	3,5	3,0	11,5	0,8-2
KAP 570-9003 50x20x0,8-3	50x20 (1 31/32"x25/32")	5,0	3,0	14,5	0,8-3
KAP 570-9003 50x25x0,8-3	50x25 (1 31/32"x63/64")	5,0	3,0	14,5	0,8-3
KAP 570-9003 50x25x3-4,5	50x25 (1 31/32"x63/64")	5,0	3,0	14,5	3-4,5
KAP 570-9003 50x30x1-3	50x30 (1 31/32"x1 11/64")	5,0	3,0	14,5	1-3
KAP 570-9003 50x30x3	50x30 (1 31/32"x1 11/64")	5,0	4,0	14,0	3
KAP 570-9003 50x30x3-5	50x30 (1 31/32"x1 11/64")	5,0	3,0	14,5	3-5
KAP 570-9003 50x34x1-3,5	50x34(1 31/32"x1 11/32")	5,0	3,0	14,5	1-3,5
KAP 570-9003 50x35x1-3,5	50x35 (1 31/32"x1 3/8")	5,0	3,0	14,5	1-3,5
KAP 570-9003 50x40x0,8-3	50x40 (1 31/32"x1 37/64")	5,0	3,0	14,5	0,8-3
KAP 570-9003 50x40x1,5-3	50x40 (1 31/32"x1 37/64")	5,0	3,5	12,0	1,5-3
KAP 570-9003 50x40x3-4	50x40 (1 31/32"x1 37/64")	5,0	3,5	12,6	3-4
KAP 570-9003 50,8x25,4x1-3	50,8x25,4 (2"x1")	5,0	3,0	14,5	1-3
KAP 570-9003 50,8x38,1x1-3	50,8x38,1 (2"x1 1/2")	5,0	3,0	14,5	1-3
KAP 570-9003 55x34x1,5-4	55x34 (2 5/32"x1 11/32")	5,0	3,0	14,5	1,5-4
KAP 570-9003 55x40x1,5-4	55x40 (2 5/32"x1 37/64")	5,0	3,0	14,5	1,5-4
KAP 570-9003 60x15x1-2	60x15 (2 23/64"x19/32")	5,0	3,0	14,5	1-2
KAP 570-9003 60x20x1-3	60x20 (2 23/64"x25/32")	5,0	3,0	14,5	1-3
KAP 570-9003 60x25x0,8-3	60x25 (2 23/64"x63/64")	5,0	3,0	14,5	0,8-3
KAP 570-9003 60x30x1-3	60x30 (2 23/64"x1 11/64")	5,0	3,0	14,5	1-3
KAP 570-9003 60x30x3-5	60x30 (2 23/64"x1 11/64")	5,0	3,0	14,5	3-5
KAP 570-9003 60x33x1,5-3,5	60x33 (2 23/64"x1 19/64")	5,0	3,0	14,5	1,5-3,5
KAP 570-9003 60x35x1,5-3,5	60x35 (2 23/64"x1 3/8")	5,0	3,0	14,5	1,5-3,5
KAP 570-9003 60x40x1-3	60x40 (2 23/64"x1 37/64")	5,0	3,0	14,5	1-3
KAP 570-9003 60x40x3-5	60x40 (2 23/64"x1 37/64")	5,0	3,0	14,5	3-5
KAP 570-9003 60x40x4-5	60x40 (2 23/64"x1 37/64")	5,0	4,0	14,0	4-5
KAP 570-9003 60x45x1,5-4	60x45 (2 23/64"x1 49/64")	5,0	3,0	14,5	1,5-4
KAP 570-9003 60x50x1,5-3,5	60x50 (2 23/64"x1 31/32")	5,0	3,0	14,5	1,5-3,5
KAP 570-9003 63,5x25,4x1-3	63,5x25,4 (2 1/2"x1")	5,0	3,0	14,5	1-3
KAP 570-9003 63,5x38,1x1,2-3,5	63,5x38,1 (2 1/2"x1 1/2")	5,0	3,0	14,5	1,2-3,5
KAP 570-9003 65x35x1-3	65x35 (2 9/16"x1 3/8")	5,0	3,0	14,5	1-3
KAP 570-9003 70x20x1-2	70x20 (2 3/4"x25/32")	5,0	5,0	18,8	1-2
KAP 570-9003 70x25x1-2	70x25 (2 3/4"x63/64")	5,0	4,0	17,0	1-2



RIFERIMENTO REFERENCE	AxB	H	H1	L	T
KAP 570-9003 70x30x1-2	70x30 (2 3/4"x1 11/64")	5,7	5,0	17,7	1-2
KAP 570-9003 70x30x1-3	70x30 (2 3/4"x1 11/64")	5,0	3,0	14,5	1-3
KAP 570-9003 70x35x1,5-3,5	70x35(2 3/4"x1 3/8")	5,0	3,0	14,5	1,5-3,5
KAP 570-9003 70x40x1-3	70x40 (2 3/4"x1 37/64")	5,0	3,0	14,5	1-3
KAP 570-9003 70x40x1-2	70x40 (2 3/4"x1 37/64")	5,0	4,5	17,1	1-2
KAP 570-9003 70x40x4	70x40 (2 3/4"x1 37/64")	5,5	4,5	17,5	4
KAP 570-9003 70x50x2-4	70x50 (2 3/4"x1 31/32")	5,0	3,0	14,5	2-4
KAP 570-9003 75x25x1-3	75x25 (2 61/64"x63/64")	5,0	3,0	14,5	1-3
KAP 570-9003 75x50x0,8-2,5	75x50 (2 61/64"x1 31/32")	5,0	3,0	14,5	0,8-2,5
KAP 570-9003 75x50x2,5-4,5	75x50 (2 61/64"x1 31/32")	5,0	3,0	14,5	2,5-4,5
KAP 570-9003 76,2x25,4x1,5-3,5	76,2x25,4 (3"x1")	5,0	3,0	14,5	1,5-3,5
KAP 570-9003 76,2x38,1x1,2-3,5	76,2x38,1 (3"x1 1/2")	5,0	3,0	14,5	1,2-3,5
KAP 570-9003 76,2x50,8x1,5-3	76,2x50,8 (3"x2")	5,0	3,0	14,5	1,5-3
KAP 570-9003 76,2x50,8x3-5	76,2x50,8 (3"x2")	5,0	3,0	14,5	3-5
KAP 570-9003 80x20x1-2	80x20 (3 9/64"x25/32")	6,0	5,0	17,6	1-2
KAP 570-9003 80x25x1-3	80x25 (3 9/64"x63/64")	5,0	3,0	14,5	1-3
KAP 570-9003 80x30x1-2,5	80x30 (3 9/64"x1 11/64")	5,0	3,0	14,5	1-2,5
KAP 570-9003 80x30x2,5-4	80x30 (3 9/64"x1 11/64")	5,0	3,0	14,5	2,5-4
KAP 570-9003 80x40x1-3	80x40 (3 9/64"x1 37/64")	5,0	3,0	14,5	1-3
KAP 570-9003 80x40x3-5	80x40 (3 9/64"x1 37/64")	5,0	3,0	14,5	3-5
KAP 570-9003 80x40x3,2-4	80x40 (3 9/64"x1 37/64")	6,5	5,0	19,5	3,2-4
KAP 570-9003 80x45x1,5-3,5	80x45 (3 9/64"x1 49/64")	5,0	3,0	14,5	1,5-3,5
KAP 570-9003 80x50x1,5-3,5	80x50 (3 9/64"x1 31/32")	5,0	4,5	21,5	1,5-3,5
KAP 570-9003 80x50x2-4	80x50 (3 9/64"x1 31/32")	5,0	4,5	24,5	2-4
KAP 570-9003 80x60x1,5-4,5	80x60 (3 9/64"x2 23/64")	5,0	3,0	24,0	1,5-4,5
KAP 570-9003 80x60x4-6	80x60 (3 9/64"x2 23/64")	5,0	3,0	24,0	4-6
KAP 570-9003 80x60x5	80x60 (3 9/64"x2 23/64")	5,0	4,5	18,5	5
KAP 570-9003 88,9x38,1x1,2-3,5	88,9x38,1 (3 1/2"x1 1/2")	5,0	3,0	14,5	1,2-3,5
KAP 570-9003 90x20x1-2,5	90x20 (3 35/64"x25/32")	5,0	3,0	14,5	1-2,5
KAP 570-9003 90x40x2-4	90x40 (3 35/64"x1 37/64")	5,0	3,0	14,5	2-4
KAP 570-9003 90x45x2-4	90x45 (3 35/64"x1 49/64")	5,0	3,0	14,5	2-4
KAP 570-9003 90x50x2-4,5	90x50 (3 35/64"x1 31/32")	5,0	4,5	21,5	2-4,5
KAP 570-9003 90x70x3-5,5	90x70 (3 35/64"x2 3/4")	6,0	4,5	21,5	3-5,5
KAP 570-9003 100x20x1,5-3	100x20 (3 5/16"x25/32")	5,0	3,0	14,5	1,5-3
KAP 570-9003 100x25x1,5-3	100x25 (3 5/16"x63/64")	5,0	3,0	14,5	1,5-3
KAP 570-9003 100x30x1,5-3	100x30 (3 5/16"x1 11/64")	5,0	3,0	14,5	1,5-3
KAP 570-9003 100x40x1,5-3	100x40 (3 5/16"x1 37/64")	5,0	3,0	14,5	1,5-3
KAP 570-9003 100x50x2-3	100x50 (3 5/16"x1 31/32")	5,0	5,0	24,0	2-3
KAP 570-9003 100x50x1,5-4	100x50 (3 5/16"x1 31/32")	5,0	4,5	24,0	1,5-4
KAP 570-9003 100x50x3,2-5	100x50 (3 5/16"x1 31/32")	6,0	8,0	25,0	3,2-5



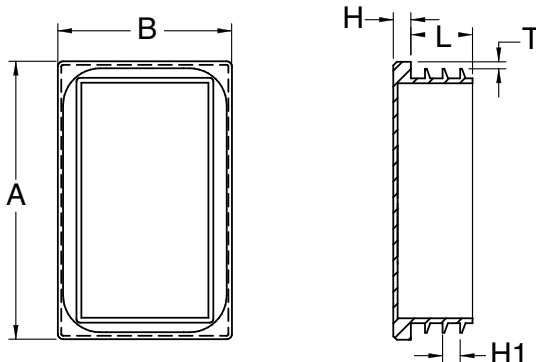
RIFERIMENTO REFERENCE	AxB	H	H1	LT
KAP 570-9003 100x60x2,5-4	100x60 (3 5/16"x2 23/64")	6,0	4,0	24,5 2,5-4
KAP 570-9003 100x80x3-5,5	100x80 (3 5/16"x3 9/64")	6,0	4,5	24,0 3-5,5
KAP 570-9003 100x80x4-6	100x80 (3 5/16"x3 9/64")	6,5	7,0	18,5 4-6
KAP 570-9003 101,6x50,8x1,5-4	101,6x50,8 (4"x2")	5,0	4,5	24,0 1,5-4
KAP 570-9003 110x30x2-4	110x30 (4 21/64"x1 11/64")	5,0	3,0	14,5 2-4
KAP 570-9003 110x60x3,5-5	110x60 (4 21/64"x2 23/64")	6,0	4,5	24,0 3,5-5
KAP 570-9003 110x70x3-5	110x70 (4 21/64"x2 3/4")	6,0	4,5	24,0 3-5
KAP 570-9003 120x25x1,5-3	120x25 (4 23/32"x63/64")	5,0	3,0	14,5 1,5-3
KAP 570-9003 120x30x1-2,5	120x30 (4 23/32"x1 11/64")	5,0	3,0	14,5 1-2,5
KAP 570-9003 120x40x1,5-2	120x40 (4 23/32"x1 37/64")	5,0	4,0	16,0 1,5-2
KAP 570-9003 120x40x3-5	120x40 (4 23/32"x1 37/64")	6,0	4,5	21,5 3-5
KAP 570-9003 120x50x3-5,5	120x50 (4 23/32"x1 31/32")	6,0	4,5	21,5 3-5,5
KAP 570-9003 120x60x1,5-4	120x60 (4 23/32"x2 23/64")	5,0	5,0	24,5 1,5-4
KAP 570-9003 120x60x4	120x60 (4 23/32"x2 23/64")	5,0	5,0	18,0 4
KAP 570-9003 120x60x5	120x60 (4 23/32"x2 23/64")	5,0	5,0	18,0 5
KAP 570-9003 120x80x2-5,5	120x80 (4 23/32"x3 9/64")	6,0	5,0	24,5 2-5,5
KAP 570-9003 120x80x5-8	120x80 (4 23/32"x3 9/64")	7,0	8,0	25,0 5-8
KAP 570-9003 120x100x3,5- 6	120x100 (4 23/32"x3 5/16")	6,0	4,5	24,0 3,5-6
KAP 570-9003 125x75x2-5	125x75 (4 59/64"x2 61/64")	6,0	4,5	24,5 2-5
KAP 570-9003 140x40x2-4,5	140x40 (5 1/2"x1 37/64")	6,0	5,0	21,5 2-4,5
KAP 570-9003 140x50x2-5	140x50 (5 1/2"x1 31/32")	6,0	4,5	21,5 2-5
KAP 570-9003 140x60x2-4,5	140x60 (5 1/2"x2 23/64")	6,0	4,5	24,5 2-4,5
KAP 570-9003 140x70x2,5-5	140x70 (5 1/2"x2 3/4")	6,0	5,0	24,5 2,5-5
KAP 570-9003 140x70x4-6,5	140x70 (5 1/2"x2 3/4")	6,0	5,0	24,5 4-6,5
KAP 570-9003 140x80x2-4,5	140x80 (5 1/2"x3 9/64")	5,0	4,5	24,5 2-4,5
KAP 570-9003 140x100x3- 6	140x100 (5 1/2"x3 5/16")	6,0	5,0	24,5 3-6
KAP 570-9003 150x30x1,5-3	150x30 (5 29/32"x1 11/64")	6,0	5,0	21,5 1,5-3
KAP 570-9003 150x40x2-4,5	150x40 (5 29/32"x1 37/64")	6,0	5,0	21,5 2-4,5
KAP 570-9003 150x50x2-4	150x50 (5 29/32"x1 31/32")	6,0	8,0	28,0 2-4
KAP 570-9003 150x50x4-7	150x50 (5 29/32"x1 31/32")	6,0	4,5	21,5 4-7
KAP 570-9003 150x60x2,5-5	150x60 (5 29/32"x2 23/64")	6,0	5,0	21,5 2,5-5
KAP 570-9003 150x75x2,5-5	150x75 (5 29/32"x2 61/64")	6,0	5,0	21,5 2,5-5
KAP 570-9003 150x75x5,5-8	150x75 (5 29/32"x2 61/64")	6,0	5,0	21,5 5,5-8
KAP 570-9003 150x100x1,5- 4	150x100 (5 29/32"x3 5/16")	6,0	5,0	24,5 1,5-4
KAP 570-9003 150x100x3-5, 5	150x100 (5 29/32"x3 5/16")	7,0	7,0	27,5 3-5,5
KAP 570-9003 152,4x50,8x3-6	152,4x50,8 (6"x2")	6,0	5,0	21,5 3-6
KAP 570-9003 160x50x2,5-5	160x50 (6 19/64"x1 31/32")	6,0	5,0	21,5 2,5-5
KAP 570-9003 160x60x2,5-5	160x60 (6 19/64"x2 23/64")	6,0	5,0	21,5 2,5-5
KAP 570-9003 160x80x3-5,5	160x80 (6 19/64"x3 5/32")	6,0	5,0	24,5 3-5,5
KAP 570-9003 200x120x6,3- 9	200x120 (7 7/8"x4 23/32")	6,0	5,5	30,5 6,3-9



KAP 570 - 9005

TAPPO RETTANGOLARE A LAMELLE A TESTA PIANA
RECTANGULAR RIBBED PLUG WITH FLAT HEAD

Materiale / Material: LD-PE
Colore / Colour: nero / black
Dimensioni / Dimensions: mm



RIFERIMENTO REFERENCE	AxB	H	H1	L	T
KAP 570-9005 20x10x0,8-2	20x10 (25/32"x25/64")	3,0	3,0	11,5	0,8-2
KAP 570-9005 20x15x1-2	20x15 (25/32"x19/32")	5,0	3,0	11,5	1-2
KAP 570-9005 20x16x0,8-2,5	20x16 (25/32"x5/8")	5,0	3,0	11,5	0,8-2,5
KAP 570-9005 25x10x0,8-2	25x10 (63/64"x25/64")	3,0	3,0	11,5	0,8-2
KAP 570-9005 25x15x0,8-2,5	25x15 (63/64"x19/32")	5,0	3,0	11,5	0,8-2,5
KAP 570-9005 25x20x1-3	25x20 (63/64"x25/32")	5,0	3,0	11,5	1-3
KAP 570-9005 30x10x0,8-2	30x10 (1 11/64"x25/64")	3,0	3,0	11,5	0,8-2
KAP 570-9005 30x15x0,8-2,5	30x15 (1 11/64"x19/32")	5,0	3,0	11,5	0,8-2,5
KAP 570-9005 30x20x1-3	30x20 (1 11/64"x25/32")	5,0	3,0	11,5	1-3
KAP 570-9005 30x25x0,8-3	30x25 (1 11/64"x63/64")	5,0	3,0	11,5	0,8-3
KAP 570-9005 30x25x1,5	30x25 (1 11/64"x63/64")	5,0	3,5	13,5	1,5
KAP 570-9005 35x10x0,8-2	35x10 (1 3/8"x25/64")	3,5	3,0	11,5	0,8-2
KAP 570-9005 35x15x1-3	35x15 (1 3/8"x19/32")	5,0	3,0	11,5	1-3
KAP 570-9005 35x20x0,8-3	35x20 (1 3/8"x25/32")	5,0	3,0	11,5	0,8-3
KAP 570-9005 35x25x0,8-3	35x25 (1 3/8"x63/64")	5,0	3,0	11,5	0,8-3
KAP 570-9005 38,1x19,1x0,8-2	38,1x19,1 (1 1/2"x3/4")	5,0	3,0	11,5	0,8-2
KAP 570-9005 38,1x25,4x0,8-3	38,1x25,4 (1 1/2"x1")	5,0	3,0	11,5	0,8-3
KAP 570-9005 40x10x1,5-2	40x10 (1 37/64"x25/64")	5,0	3,0	11,0	1,5-2
KAP 570-9005 40x15x1-2	40x15 (1 37/64"x19/32")	5,0	3,0	11,7	1-2
KAP 570-9005 40x20x0,8-3	40x20 (1 37/64"x25/32")	5,0	3,0	11,5	0,8-3
KAP 570-9005 40x20x3	40x20 (1 37/64"x25/32")	5,0	3,5	13,0	3
KAP 570-9005 40x25x1-3,5	40x25 (1 37/64"x63/64")	5,0	3,0	11,5	1-3,5
KAP 570-9005 40x25x3-5	40x25 (1 37/64"x63/64")	5,0	3,0	11,5	3-5
KAP 570-9005 40x30x1-3	40x30 (1 37/64"x1 11/64")	5,0	3,0	11,5	1-3
KAP 570-9005 40x30x3-5	40x30 (1 37/64"x1 11/64")	5,0	3,0	11,5	3-5
KAP 570-9005 40x35x1-3	40x35 (1 37/64"x1 3/8")	5,0	3,0	11,5	1-3



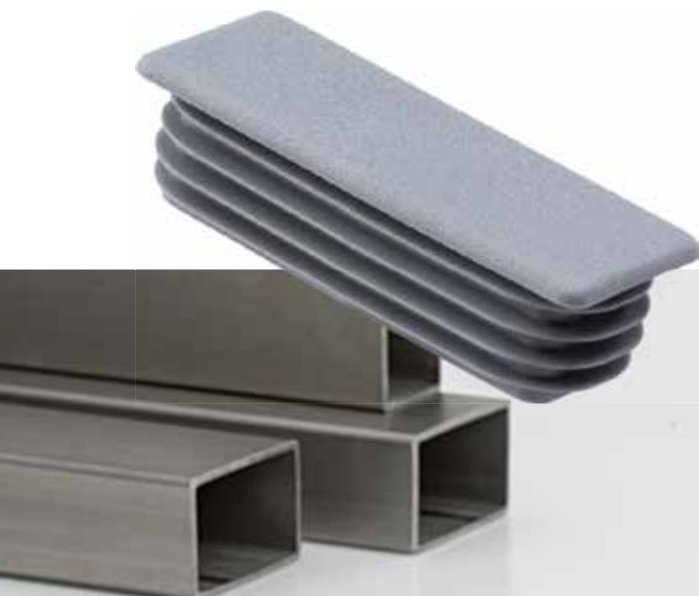
RIFERIMENTO REFERENCE	AxB	H	H1	L	T
KAP 570-9005 45x15x1-2	45x15 (1 49/64"x19/32")	5,0	3,0	11,0	1-2
KAP 570-9005 45x20x1-3	45x20 (1 49/64"x25/32")	5,0	3,0	11,5	1-3
KAP 570-9005 45x25x0,8-3	45x25 (1 49/64"x63/64")	5,0	3,0	11,5	0,8-3
KAP 570-9005 45x25x3-5	45x25 (1 49/64"x63/64")	5,0	3,0	11,5	3-5
KAP 570-9005 45x30x0,8-3	45x30 (1 49/64"x1 11/64")	5,0	3,0	11,5	0,8-3
KAP 570-9005 45x30x3-5	45x30 (1 49/64"x1 11/64")	5,0	3,0	11,5	3-5
KAP 570-9005 45x35x1-3,5	45x35 (1 49/64"x1 3/8")	5,0	3,0	11,5	1-3,5
KAP 570-9005 50x10x0,8-2	50x10 (1 31/32"x25/64")	3,5	3,0	11,5	0,8-2
KAP 570-9005 50x20x0,8-3	50x20 (1 31/32"x25/32")	5,0	3,0	14,5	0,8-3
KAP 570-9005 50x25x0,8-3	50x25 (1 31/32"x63/64")	5,0	3,0	14,5	0,8-3
KAP 570-9005 50x25x3-4,5	50x25 (1 31/32"x63/64")	5,0	3,0	14,5	3-4,5
KAP 570-9005 50x30x1-3	50x30 (1 31/32"x1 11/64")	5,0	3,0	14,5	1-3
KAP 570-9005 50x30x3	50x30 (1 31/32"x1 11/64")	5,0	4,0	14,0	3
KAP 570-9005 50x30x3-5	50x30 (1 31/32"x1 11/64")	5,0	3,0	14,5	3-5
KAP 570-9005 50x34x1-3,5	50x34(1 31/32"x1 11/32")	5,0	3,0	14,5	1-3,5
KAP 570-9005 50x35x1-3,5	50x35 (1 31/32"x1 3/8")	5,0	3,0	14,5	1-3,5
KAP 570-9005 50x40x0,8-3	50x40 (1 31/32"x1 37/64")	5,0	3,0	14,5	0,8-3
KAP 570-9005 50x40x1,5-3	50x40 (1 31/32"x1 37/64")	5,0	3,5	12,0	1,5-3
KAP 570-9005 50x40x3-4	50x40 (1 31/32"x1 37/64")	5,0	3,5	12,6	3-4
KAP 570-9005 50,8x25,4x1-3	50,8x25,4 (2"x1")	5,0	3,0	14,5	1-3
KAP 570-9005 50,8x38,1x1-3	50,8x38,1 (2"x1 1/2")	5,0	3,0	14,5	1-3
KAP 570-9005 55x34x1,5-4	55x34 (2 5/32"x1 11/32")	5,0	3,0	14,5	1,5-4
KAP 570-9005 55x40x1,5-4	55x40 (2 5/32"x1 37/64")	5,0	3,0	14,5	1,5-4
KAP 570-9005 60x15x1-2	60x15 (2 23/64"x19/32")	5,0	3,0	14,5	1-2
KAP 570-9005 60x20x1-3	60x20 (2 23/64"x25/32")	5,0	3,0	14,5	1-3
KAP 570-9005 60x25x0,8-3	60x25 (2 23/64"x63/64")	5,0	3,0	14,5	0,8-3
KAP 570-9005 60x30x1-3	60x30 (2 23/64"x1 11/64")	5,0	3,0	14,5	1-3
KAP 570-9005 60x30x3-5	60x30 (2 23/64"x1 11/64")	5,0	3,0	14,5	3-5
KAP 570-9005 60x33x1,5-3,5	60x33 (2 23/64"x1 19/64")	5,0	3,0	14,5	1,5-3,5
KAP 570-9005 60x35x1,5-3,5	60x35 (2 23/64"x1 3/8")	5,0	3,0	14,5	1,5-3,5
KAP 570-9005 60x40x1-3	60x40 (2 23/64"x1 37/64")	5,0	3,0	14,5	1-3
KAP 570-9005 60x40x3-5	60x40 (2 23/64"x1 37/64")	5,0	3,0	14,5	3-5
KAP 570-9005 60x40x4-5	60x40 (2 23/64"x1 37/64")	5,0	4,0	14,0	4-5
KAP 570-9005 60x45x1,5-4	60x45 (2 23/64"x1 49/64")	5,0	3,0	14,5	1,5-4
KAP 570-9005 60x50x1,5-3,5	60x50 (2 23/64"x1 31/32")	5,0	3,0	14,5	1,5-3,5
KAP 570-9005 63,5x25,4x1-3	63,5x25,4 (2 1/2"x1")	5,0	3,0	14,5	1-3
KAP 570-9005 63,5x38,1x1,2-3,5	63,5x38,1 (2 1/2"x1 1/2")	5,0	3,0	14,5	1,2-3,5
KAP 570-9005 65x35x1-3	65x35 (2 9/16"x1 3/8")	5,0	3,0	14,5	1-3
KAP 570-9005 70x20x1-2	70x20 (2 3/4"x25/32")	5,0	5,0	18,8	1-2
KAP 570-9005 70x25x1-2	70x25 (2 3/4"x63/64")	5,0	4,0	17,0	1-2



RIFERIMENTO REFERENCE	AxB	H	H1	L	T
KAP 570-9005 70x30x1-2	70x30 (2 3/4"x1 11/64")	5,7	5,0	17,7	1-2
KAP 570-9005 70x30x1-3	70x30 (2 3/4"x1 11/64")	5,0	3,0	14,5	1-3
KAP 570-9005 70x35x1,5-3,5	70x35(2 3/4"x1 3/8")	5,0	3,0	14,5	1,5-3,5
KAP 570-9005 70x40x1-3	70x40 (2 3/4"x1 37/64")	5,0	3,0	14,5	1-3
KAP 570-9005 70x40x1-2	70x40 (2 3/4"x1 37/64")	5,0	4,5	17,1	1-2
KAP 570-9005 70x40x4	70x40 (2 3/4"x1 37/64")	5,5	4,5	17,5	4
KAP 570-9005 70x50x2-4	70x50 (2 3/4"x1 31/32")	5,0	3,0	14,5	2-4
KAP 570-9005 75x25x1-3	75x25 (2 61/64"x63/64")	5,0	3,0	14,5	1-3
KAP 570-9005 75x50x0,8-2,5	75x50 (2 61/64"x1 31/32")	5,0	3,0	14,5	0,8-2,5
KAP 570-9005 75x50x2,5-4,5	75x50 (2 61/64"x1 31/32")	5,0	3,0	14,5	2,5-4,5
KAP 570-9005 76,2x25,4x1,5-3,5	76,2x25,4 (3"x1")	5,0	3,0	14,5	1,5-3,5
KAP 570-9005 76,2x38,1x1,2-3,5	76,2x38,1 (3"x1 1/2")	5,0	3,0	14,5	1,2-3,5
KAP 570-9005 76,2x50,8x1,5-3	76,2x50,8 (3"x2")	5,0	3,0	14,5	1,5-3
KAP 570-9005 76,2x50,8x3-5	76,2x50,8 (3"x2")	5,0	3,0	14,5	3-5
KAP 570-9005 80x20x1-2	80x20 (3 9/64"x25/32")	6,0	5,0	17,6	1-2
KAP 570-9005 80x25x1-3	80x25 (3 9/64"x63/64")	5,0	3,0	14,5	1-3
KAP 570-9005 80x30x1-2,5	80x30 (3 9/64"x1 11/64")	5,0	3,0	14,5	1-2,5
KAP 570-9005 80x30x2,5-4	80x30 (3 9/64"x1 11/64")	5,0	3,0	14,5	2,5-4
KAP 570-9005 80x40x1-3	80x40 (3 9/64"x1 37/64")	5,0	3,0	14,5	1-3
KAP 570-9005 80x40x3-5	80x40 (3 9/64"x1 37/64")	5,0	3,0	14,5	3-5
KAP 570-9005 80x40x3,2-4	80x40 (3 9/64"x1 37/64")	6,5	5,0	19,5	3,2-4
KAP 570-9005 80x45x1,5-3,5	80x45 (3 9/64"x1 49/64")	5,0	3,0	14,5	1,5-3,5
KAP 570-9005 80x50x1,5-3,5	80x50 (3 9/64"x1 31/32")	5,0	4,5	21,5	1,5-3,5
KAP 570-9005 80x50x2-4	80x50 (3 9/64"x1 31/32")	5,0	4,5	24,5	2-4
KAP 570-9005 80x60x1,5-4,5	80x60 (3 9/64"x2 23/64")	5,0	3,0	24,0	1,5-4,5
KAP 570-9005 80x60x4-6	80x60 (3 9/64"x2 23/64")	5,0	3,0	24,0	4-6
KAP 570-9005 80x60x5	80x60 (3 9/64"x2 23/64")	5,0	4,5	18,5	5
KAP 570-9005 88,9x38,1x1,2-3,5	88,9x38,1 (3 1/2"x1 1/2")	5,0	3,0	14,5	1,2-3,5
KAP 570-9005 90x20x1-2,5	90x20 (3 35/64"x25/32")	5,0	3,0	14,5	1-2,5
KAP 570-9005 90x40x2-4	90x40 (3 35/64"x1 37/64")	5,0	3,0	14,5	2-4
KAP 570-9005 90x45x2-4	90x45 (3 35/64"x1 49/64")	5,0	3,0	14,5	2-4
KAP 570-9005 90x50x2-4,5	90x50 (3 35/64"x1 31/32")	5,0	4,5	21,5	2-4,5
KAP 570-9005 90x70x3-5,5	90x70 (3 35/64"x2 3/4")	6,0	4,5	21,5	3-5,5
KAP 570-9005 100x20x1,5-3	100x20 (3 5/16"x25/32")	5,0	3,0	14,5	1,5-3
KAP 570-9005 100x25x1,5-3	100x25 (3 5/16"x63/64")	5,0	3,0	14,5	1,5-3
KAP 570-9005 100x30x1,5-3	100x30 (3 5/16"x1 11/64")	5,0	3,0	14,5	1,5-3
KAP 570-9005 100x40x1,5-3	100x40 (3 5/16"x1 37/64")	5,0	3,0	14,5	1,5-3
KAP 570-9005 100x50x2-3	100x50 (3 5/16"x1 31/32")	5,0	5,0	24,0	2-3
KAP 570-9005 100x50x1,5-4	100x50 (3 5/16"x1 31/32")	5,0	4,5	24,0	1,5-4
KAP 570-9005 100x50x3,2-5	100x50 (3 5/16"x1 31/32")	6,0	8,0	25,0	3,2-5



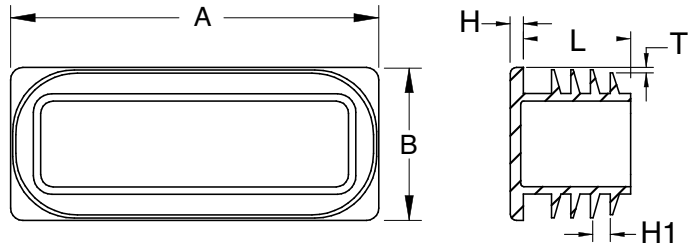
RIFERIMENTO REFERENCE	AxB	H	H1	LT
KAP 570-9005 100x60x2,5-4	100x60 (3 5/16"x2 23/64")	6,0	4,0	24,5 2,5-4
KAP 570-9005 100x80x3-5,5	100x80 (3 5/16"x3 9/64")	6,0	4,5	24,0 3-5,5
KAP 570-9005 100x80x4-6	100x80 (3 5/16"x3 9/64")	6,5	7,0	18,5 4-6
KAP 570-9005 101,6x50,8x1,5-4	101,6x50,8 (4"x2")	5,0	4,5	24,0 1,5-4
KAP 570-9005 110x30x2-4	110x30 (4 21/64"x1 11/64")	5,0	3,0	14,5 2-4
KAP 570-9005 110x60x3,5-5	110x60 (4 21/64"x2 23/64")	6,0	4,5	24,0 3,5-5
KAP 570-9005 110x70x3-5	110x70 (4 21/64"x2 3/4")	6,0	4,5	24,0 3-5
KAP 570-9005 120x25x1,5-3	120x25 (4 23/32"x63/64")	5,0	3,0	14,5 1,5-3
KAP 570-9005 120x30x1-2,5	120x30 (4 23/32"x1 11/64")	5,0	3,0	14,5 1-2,5
KAP 570-9005 120x40x1,5-2	120x40 (4 23/32"x1 37/64")	5,0	4,0	16,0 1,5-2
KAP 570-9005 120x40x3-5	120x40 (4 23/32"x1 37/64")	6,0	4,5	21,5 3-5
KAP 570-9005 120x50x3-5,5	120x50 (4 23/32"x1 31/32")	6,0	4,5	21,5 3-5,5
KAP 570-9005 120x60x1,5-4	120x60 (4 23/32"x2 23/64")	5,0	5,0	24,5 1,5-4
KAP 570-9005 120x60x4	120x60 (4 23/32"x2 23/64")	5,0	5,0	18,0 4
KAP 570-9005 120x60x5	120x60 (4 23/32"x2 23/64")	5,0	5,0	18,0 5
KAP 570-9005 120x80x2-5,5	120x80 (4 23/32"x3 9/64")	6,0	5,0	24,5 2-5,5
KAP 570-9005 120x80x5-8	120x80 (4 23/32"x3 9/64")	7,0	8,0	25,0 5-8
KAP 570-9005 120x100x3,5- 6	120x100 (4 23/32"x3 5/16")	6,0	4,5	24,0 3,5-6
KAP 570-9005 125x75x2-5	125x75 (4 59/64"x2 61/64")	6,0	4,5	24,5 2-5
KAP 570-9005 140x40x2-4,5	140x40 (5 1/2"x1 37/64")	6,0	5,0	21,5 2-4,5
KAP 570-9005 140x50x2-5	140x50 (5 1/2"x1 31/32")	6,0	4,5	21,5 2-5
KAP 570-9005 140x60x2-4,5	140x60 (5 1/2"x2 23/64")	6,0	4,5	24,5 2-4,5
KAP 570-9005 140x70x2,5-5	140x70 (5 1/2"x2 3/4")	6,0	5,0	24,5 2,5-5
KAP 570-9005 140x70x4-6,5	140x70 (5 1/2"x2 3/4")	6,0	5,0	24,5 4-6,5
KAP 570-9005 140x80x2-4,5	140x80 (5 1/2"x3 9/64")	5,0	4,5	24,5 2-4,5
KAP 570-9005 140x100x3- 6	140x100 (5 1/2"x3 5/16")	6,0	5,0	24,5 3-6
KAP 570-9005 150x30x1,5-3	150x30 (5 29/32"x1 11/64")	6,0	5,0	21,5 1,5-3
KAP 570-9005 150x40x2-4,5	150x40 (5 29/32"x1 37/64")	6,0	5,0	21,5 2-4,5
KAP 570-9005 150x50x2-4	150x50 (5 29/32"x1 31/32")	6,0	8,0	28,0 2-4
KAP 570-9005 150x50x4-7	150x50 (5 29/32"x1 31/32")	6,0	4,5	21,5 4-7
KAP 570-9005 150x60x2,5-5	150x60 (5 29/32"x2 23/64")	6,0	5,0	21,5 2,5-5
KAP 570-9005 150x75x2,5-5	150x75 (5 29/32"x2 61/64")	6,0	5,0	21,5 2,5-5
KAP 570-9005 150x75x5,5-8	150x75 (5 29/32"x2 61/64")	6,0	5,0	21,5 5,5-8
KAP 570-9005 150x100x1,5- 4	150x100 (5 29/32"x3 5/16")	6,0	5,0	24,5 1,5-4
KAP 570-9005 150x100x3-5, 5	150x100 (5 29/32"x3 5/16")	7,0	7,0	27,5 3-5,5
KAP 570-9005 152,4x50,8x3-6	152,4x50,8 (6"x2")	6,0	5,0	21,5 3-6
KAP 570-9005 160x50x2,5-5	160x50 (6 19/64"x1 31/32")	6,0	5,0	21,5 2,5-5
KAP 570-9005 160x60x2,5-5	160x60 (6 19/64"x2 23/64")	6,0	5,0	21,5 2,5-5
KAP 570-9005 160x80x3-5,5	160x80 (6 19/64"x3 5/32")	6,0	5,0	24,5 3-5,5
KAP 570-9005 200x120x6,3- 9	200x120 (7 7/8"x4 23/32")	6,0	5,5	30,5 6,3-9



KAP 571-7042

TAPPO RETTANGOLARE A LAMELLE A TESTA PIANA SOTTILE
RECTANGULAR RIBBED PLUG WITH SLIM FLAT HEAD

Materiale / Material: LD-PE
Colore / Colour: grigio / grey
Dimensioni / Dimensions: mm



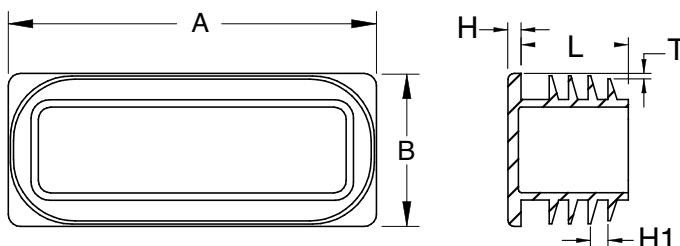
RIFERIMENTO REFERENCE	AxB	H	H1	L	T
KAP 571-7042 20x15x1-2	20x15 (25/32"x19/32")	2,0	3,0	11,5	1-2
KAP 571-7042 25x15x0,8-2,5	25x15 (63/64"x19/32")	2,0	3,0	11,5	0,8-2,5
KAP 571-7042 25x20x1-2,5	25x20 (63/64"x25/32")	2,0	3,0	11,5	1-2,5
KAP 571-7042 30x15x0,8-2,5	30x15 (1 11/64"x19/32")	2,0	3,0	11,5	0,8-2,5
KAP 571-7042 30x20x0,8-3	30x20 (1 11/64"x25/32")	2,0	3,0	11,5	0,8-3
KAP 571-7042 30x25x0,8-3	30x25 (1 11/64"x63/64")	2,0	3,0	11,5	0,8-3
KAP 571-7042 35x20x0,8-2,5	35x20 (1 3/8"x25/32")	2,0	3,0	11,5	0,8-2,5
KAP 571-7042 35x25x0,8-2,5	35x25 (1 3/8"x63/64")	2,0	3,0	11,5	0,8-2,5
KAP 571-7042 40x20x0,8-2,5	40x20 (1 37/64"x25/32")	2,0	3,0	11,5	0,8-2,5
KAP 571-7042 40x25x1-3	40x25 (1 37/64"x63/64")	2,0	3,0	11,5	1-3
KAP 571-7042 40x30x1-2,5	40x30 (1 37/64"x1 11/64")	2,0	3,0	11,5	1-2,5
KAP 571-7042 45x25x0,8-2,5	45x25 (1 49/64"x63/64")	2,0	3,0	11,5	0,8-2,5
KAP 571-7042 45x30x0,8-2,5	45x30 (1 49/64"x1 11/64")	2,0	3,0	11,5	0,8-2,5
KAP 571-7042 50x20x0,8-2,5	50x20 (1 31/32"x25/32")	2,0	3,0	14,5	0,8-2,5
KAP 571-7042 50x25x0,8-2,5	50x25 (1 31/32"x63/64")	2,0	3,0	14,5	0,8-2,5
KAP 571-7042 50x30x1-2,5	50x30 (1 31/32"x1 11/64")	2,0	3,0	14,5	1-2,5
KAP 571-7042 50x40x0,8-2,5	50x40 (1 31/32"x1 37/64")	2,0	3,0	14,5	0,8-2,5
KAP 571-7042 60x20x1-2,5	60x20 (2 23/64"x25/32")	2,0	3,0	14,5	1-2,5
KAP 571-7042 60x25x0,8-2,5	60x25 (2 23/64"x63/64")	2,0	3,0	14,5	0,8-2,5
KAP 571-7042 60x30x1-2,5	60x30 (2 23/64"x1 11/64")	2,0	3,0	14,5	1-2,5
KAP 571-7042 60x40x1-2,5	60x40 (2 23/64"x1 37/64")	2,0	3,0	14,5	1-2,5
KAP 571-7042 100x20x1,5-2,5	100x20 (3 5/16"x25/32")	2,0	3,0	14,5	1,5-2,5
KAP 571-7042 100x25x1,5-2,5	100x25 (3 5/16"x63/64")	2,0	3,0	14,5	1,5-2,5
KAP 571-7042 100x30x1,5-3	100x30 (3 5/16"x1 11/64")	2,0	3,0	14,5	1,5-3
KAP 571-7042 110x30x2-3,5	110x30 (4 21/64"x1 11/64")	2,0	3,0	14,5	2-3,5
KAP 571-7042 120x20x1,5-2,5	120x20 (4 23/32"x25/32")	2,0	3,0	14,5	1,5-2,5
KAP 571-7042 120x25x1,5-3	120x25 (4 23/32"x63/64")	2,0	3,0	14,5	1,5-3
KAP 571-7042 120x30x1-2	120x30 (4 23/32"x1 11/64")	2,0	3,0	14,5	1-2
KAP 571-7042 200x40x2-3,5	200x40 (7 7/8"x1 37/64")	2,0	4,0	19,0	2-3,5



KAP 571-9003

TAPPO RETTANGOLARE A LAMELLE A TESTA PIANA SOTTILE
RECTANGULAR RIBBED PLUG WITH SLIM FLAT HEAD

Materiale / Material: LD-PE
Colore / Colour: bianco / white
Dimensioni / Dimensions: mm



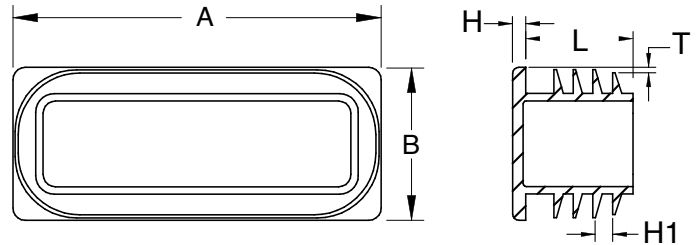
RIFERIMENTO REFERENCE	AxB	H	H1	L	T
KAP 571-9003 20x15x1-2	20x15 (25/32"x19/32")	2,0	3,0	11,5	1-2
KAP 571-9003 25x15x0,8-2,5	25x15 (63/64"x19/32")	2,0	3,0	11,5	0,8-2,5
KAP 571-9003 25x20x1-2,5	25x20 (63/64"x25/32")	2,0	3,0	11,5	1-2,5
KAP 571-9003 30x15x0,8-2,5	30x15 (1 11/64"x19/32")	2,0	3,0	11,5	0,8-2,5
KAP 571-9003 30x20x0,8-3	30x20 (1 11/64"x25/32")	2,0	3,0	11,5	0,8-3
KAP 571-9003 30x25x0,8-3	30x25 (1 11/64"x63/64")	2,0	3,0	11,5	0,8-3
KAP 571-9003 35x20x0,8-2,5	35x20 (1 3/8"x25/32")	2,0	3,0	11,5	0,8-2,5
KAP 571-9003 35x25x0,8-2,5	35x25 (1 3/8"x63/64")	2,0	3,0	11,5	0,8-2,5
KAP 571-9003 40x20x0,8-2,5	40x20 (1 37/64"x25/32")	2,0	3,0	11,5	0,8-2,5
KAP 571-9003 40x25x1-3	40x25 (1 37/64"x63/64")	2,0	3,0	11,5	1-3
KAP 571-9003 40x30x1-2,5	40x30 (1 37/64"x1 11/64")	2,0	3,0	11,5	1-2,5
KAP 571-9003 45x25x0,8-2,5	45x25 (1 49/64"x63/64")	2,0	3,0	11,5	0,8-2,5
KAP 571-9003 45x30x0,8-2,5	45x30 (1 49/64"x1 11/64")	2,0	3,0	11,5	0,8-2,5
KAP 571-9003 50x20x0,8-2,5	50x20 (1 31/32"x25/32")	2,0	3,0	14,5	0,8-2,5
KAP 571-9003 50x25x0,8-2,5	50x25 (1 31/32"x63/64")	2,0	3,0	14,5	0,8-2,5
KAP 571-9003 50x30x1-2,5	50x30 (1 31/32"x1 11/64")	2,0	3,0	14,5	1-2,5
KAP 571-9003 50x40x0,8-2,5	50x40 (1 31/32"x1 37/64")	2,0	3,0	14,5	0,8-2,5
KAP 571-9003 60x20x1-2,5	60x20 (2 23/64"x25/32")	2,0	3,0	14,5	1-2,5
KAP 571-9003 60x25x0,8-2,5	60x25 (2 23/64"x63/64")	2,0	3,0	14,5	0,8-2,5
KAP 571-9003 60x30x1-2,5	60x30 (2 23/64"x1 11/64")	2,0	3,0	14,5	1-2,5
KAP 571-9003 60x40x1-2,5	60x40 (2 23/64"x1 37/64")	2,0	3,0	14,5	1-2,5
KAP 571-9003 100x20x1,5-2,5	100x20 (3 5/16"x25/32")	2,0	3,0	14,5	1,5-2,5
KAP 571-9003 100x25x1,5-2,5	100x25 (3 5/16"x63/64")	2,0	3,0	14,5	1,5-2,5
KAP 571-9003 100x30x1,5-3	100x30 (3 5/16"x1 11/64")	2,0	3,0	14,5	1,5-3
KAP 571-9003 110x30x2-3,5	110x30 (4 21/64"x1 11/64")	2,0	3,0	14,5	2-3,5
KAP 571-9003 120x20x1,5-2,5	120x20 (4 23/32"x25/32")	2,0	3,0	14,5	1,5-2,5
KAP 571-9003 120x25x1,5-3	120x25 (4 23/32"x63/64")	2,0	3,0	14,5	1,5-3
KAP 571-9003 120x30x1-2	120x30 (4 23/32"x1 11/64")	2,0	3,0	14,5	1-2
KAP 571-9003 200x40x2-3,5	200x40 (7 7/8"x1 37/64")	2,0	4,0	19,0	2-3,5



KAP 571-9005

TAPPO RETTANGOLARE A LAMELLE A TESTA PIANA SOTTILE
RECTANGULAR RIBBED PLUG WITH SLIM FLAT HEAD

Materiale / Material: LD-PE
Colore / Colour: nero / black
Dimensioni / Dimensions: mm



RIFERIMENTO REFERENCE	AxB	H	H1	L	T
KAP 571-9005 20x15x1-2	20x15 (25/32"x19/32")	2,0	3,0	11,5	1-2
KAP 571-9005 25x15x0,8-2,5	25x15 (63/64"x19/32")	2,0	3,0	11,5	0,8-2,5
KAP 571-9005 25x20x1-2,5	25x20 (63/64"x25/32")	2,0	3,0	11,5	1-2,5
KAP 571-9005 30x15x0,8-2,5	30x15 (1 11/64"x19/32")	2,0	3,0	11,5	0,8-2,5
KAP 571-9005 30x20x0,8-3	30x20 (1 11/64"x25/32")	2,0	3,0	11,5	0,8-3
KAP 571-9005 30x25x0,8-3	30x25 (1 11/64"x63/64")	2,0	3,0	11,5	0,8-3
KAP 571-9005 35x20x0,8-2,5	35x20 (1 3/8"x25/32")	2,0	3,0	11,5	0,8-2,5
KAP 571-9005 35x25x0,8-2,5	35x25 (1 3/8"x63/64")	2,0	3,0	11,5	0,8-2,5
KAP 571-9005 40x20x0,8-2,5	40x20 (1 37/64"x25/32")	2,0	3,0	11,5	0,8-2,5
KAP 571-9005 40x25x1-3	40x25 (1 37/64"x63/64")	2,0	3,0	11,5	1-3
KAP 571-9005 40x30x1-2,5	40x30 (1 37/64"x1 11/64")	2,0	3,0	11,5	1-2,5
KAP 571-9005 45x25x0,8-2,5	45x25 (1 49/64"x63/64")	2,0	3,0	11,5	0,8-2,5
KAP 571-9005 45x30x0,8-2,5	45x30 (1 49/64"x1 11/64")	2,0	3,0	11,5	0,8-2,5
KAP 571-9005 50x20x0,8-2,5	50x20 (1 31/32"x25/32")	2,0	3,0	14,5	0,8-2,5
KAP 571-9005 50x25x0,8-2,5	50x25 (1 31/32"x63/64")	2,0	3,0	14,5	0,8-2,5
KAP 571-9005 50x30x1-2,5	50x30 (1 31/32"x1 11/64")	2,0	3,0	14,5	1-2,5
KAP 571-9005 50x40x0,8-2,5	50x40 (1 31/32"x1 37/64")	2,0	3,0	14,5	0,8-2,5
KAP 571-9005 60x20x1-2,5	60x20 (2 23/64"x25/32")	2,0	3,0	14,5	1-2,5
KAP 571-9005 60x25x0,8-2,5	60x25 (2 23/64"x63/64")	2,0	3,0	14,5	0,8-2,5
KAP 571-9005 60x30x1-2,5	60x30 (2 23/64"x1 11/64")	2,0	3,0	14,5	1-2,5
KAP 571-9005 60x40x1-2,5	60x40 (2 23/64"x1 37/64")	2,0	3,0	14,5	1-2,5
KAP 571-9005 100x20x1,5-2,5	100x20 (3 5/16"x25/32")	2,0	3,0	14,5	1,5-2,5
KAP 571-9005 100x25x1,5-2,5	100x25 (3 5/16"x63/64")	2,0	3,0	14,5	1,5-2,5
KAP 571-9005 100x30x1,5-3	100x30 (3 5/16"x1 11/64")	2,0	3,0	14,5	1,5-3
KAP 571-9005 110x30x2-3,5	110x30 (4 21/64"x1 11/64")	2,0	3,0	14,5	2-3,5
KAP 571-9005 120x20x1,5-2,5	120x20 (4 23/32"x25/32")	2,0	3,0	14,5	1,5-2,5
KAP 571-9005 120x25x1,5-3	120x25 (4 23/32"x63/64")	2,0	3,0	14,5	1,5-3
KAP 571-9005 120x30x1-2	120x30 (4 23/32"x1 11/64")	2,0	3,0	14,5	1-2
KAP 571-9005 200x40x2-3,5	200x40 (7 7/8"x1 37/64")	2,0	4,0	19,0	2-3,5

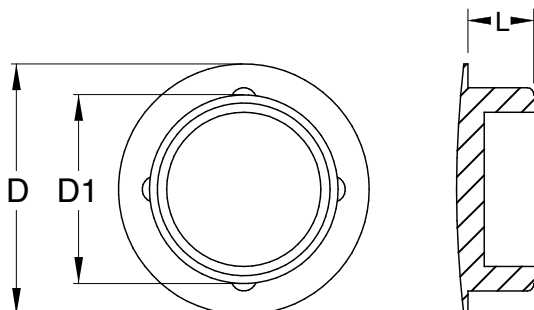




KAP 610 - 7042

TAPPO COPRIFORO A TESTA SOTTILE
CLOSING PLUG WITH SLIM HEAD

Materiale / Material: HD-PE
Colore / Colour: grigio / grey
Dimensioni / Dimensions: mm



RIFERIMENTO REFERENCE	D	D1	L
KAP 610-7042 02510	10,0	2,5	5,0
KAP 610-7042 02512	12,0	2,5	5,0
KAP 610-7042 02515	15,0	2,5	5,0
KAP 610-7042 02806	5,8	2,8	7,0
KAP 610-7042 02811	11,0	2,8	4,8
KAP 610-7042 03012	12,0	3,0	6,0
KAP 610-7042 03015	15,0	3,0	6,0
KAP 610-7042 03018	18,0	3,0	7,0
KAP 610-7042 04006	6,4	4,0	5,3
KAP 610-7042 04008	8,0	4,0	3,0
KAP 610-7042 04010	10,0	4,0	5,3
KAP 610-7042 04013	13,0	4,0	5,3
KAP 610-7042 04108	8,0	4,1	7,0
KAP 610-7042 05006	6,6	5,0	5,5
KAP 610-7042 05008	8,0	5,0	5,0
KAP 610-7042 05010	10,0	5,0	5,5
KAP 610-7042 05013	13,0	5,0	5,5
KAP 610-7042 05015	15,0	5,0	5,5
KAP 610-7042 05020	20,0	5,0	7,5
KAP 610-7042 05108	8,0	5,0	5,5
KAP 610-7042 05113	13,0	5,0	4,0
KAP 610-7042 05213	13,0	5,2	7,0
KAP 610-7042 05408	8,0	5,4	7,4
KAP 610-7042 05410	10,0	5,4	7,4
KAP 610-7042 05413	13,0	5,4	7,4
KAP 610-7042 05415	15,0	5,4	7,4



RIFERIMENTO REFERENCE	DD	1L	
KAP 610-7042 0550 8	8,0	5,5	5,8
KAP 610-7042 0551 0	10,0	5,5	5,6
KAP 610-7042 0551 2	12,0	5,5	5,6
KAP 610-7042 0600 8	8,0	6,0	5,4
KAP 610-7042 0601 0	10,0	6,0	5,4
KAP 610-7042 0601 2	12,0	6,0	7,0
KAP 610-7042 0601 3	13,0	6,0	5,4
KAP 610-7042 0601 5	15,0	6,0	5,4
KAP 610-7042 0651 3	13,0	6,6	7,0
KAP 610-7042 0651 5	15,0	6,5	6,0
KAP 610-7042 0661 3	13,0	6,6	7,0
KAP 610-7042 0661 5	15,0	6,6	7,0
KAP 610-7042 0701 0	10,0	7,0	6,5
KAP 610-7042 0701 3	13,0	7,0	6,5
KAP 610-7042 0701 5	15,0	7,0	6,5
KAP 610-7042 0701 6	16,0	7,0	6,5
KAP 610-7042 0702 0	20,0	7,0	7,5
KAP 610-7042 0711 0	10,0	7,0	3,9
KAP 610-7042 0721 0	10,0	7,2	2,0
KAP 610-7042 0791 3	13,0	7,9	6,0
KAP 610-7042 0801 0	10,0	8,0	6,3
KAP 610-7042 0801 3	13,0	8,0	6,3
KAP 610-7042 0801 5	15,0	8,0	6,3
KAP 610-7042 0801 6	16,0	8,0	6,3
KAP 610-7042 0801 7	17,0	8,0	6,3
KAP 610-7042 0851 3	13,0	8,5	6,9
KAP 610-7042 0851 5	15,0	8,5	6,9
KAP 610-7042 0851 6	16,0	8,5	6,9
KAP 610-7042 0901 2	12,0	9,0	6,4
KAP 610-7042 0901 3	13,0	9,0	6,4
KAP 610-7042 0901 5	15,0	9,0	6,4
KAP 610-7042 0901 6	16,0	9,0	6,4
KAP 610-7042 1001 2	12,0	10,0	6,7
KAP 610-7042 1001 3	13,0	10,0	6,7
KAP 610-7042 1001 5	15,0	10,0	6,7
KAP 610-7042 1001 6	16,0	10,0	6,7
KAP 610-7042 1011 3	13,0	10,0	3,0
KAP 610-7042 1051 3	13,0	10,5	4,0
KAP 610-7042 1101 3	13,0	11,0	5,0
KAP 610-7042 1101 5	15,0	11,0	5,0



RIFERIMENTO REFERENCE	DD	1L
KAP 610-7042 1101 6	16,0	5,0
KAP 610-7042 1201 5	15,0	8,4
KAP 610-7042 1201 8	18,0	8,4
KAP 610-7042 1211 5	15,0	11,6
KAP 610-7042 1301 6	16,0	8,5
KAP 610-7042 1301 7	17,0	8,5
KAP 610-7042 1401 8	18,0	7,0
KAP 610-7042 1501 7	17,0	9,0
KAP 610-7042 1501 8	18,0	1,4
KAP 610-7042 1501 9	19,0	9,0
KAP 610-7042 1502 0	20,0	4,0
KAP 610-7042 1511 7	17,0	3,0
KAP 610-7042 1511 9	19,0	3,0
KAP 610-7042 1512 0	20,0	3,0
KAP 610-7042 1551 9	19,0	4,5
KAP 610-7042 1702 4	24,5	6,0
KAP 610-7042 1832 8	28,0	6,0
KAP 610-7042 2002 3	23,0	10,0
KAP 610-7042 2012 3	23,0	3,0
KAP 610-7042 2042 8	28,0	4,8
KAP 610-7042 2082 8	28,0	4,8
KAP 610-7042 2503 0	30,0	5,0

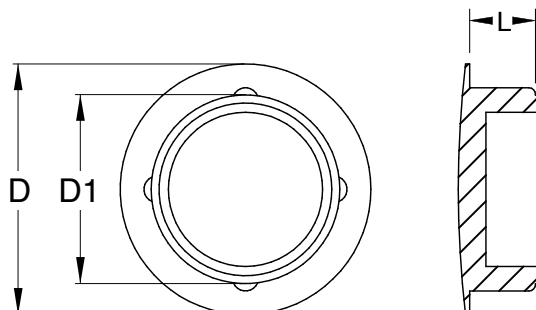




KAP 610 - 9003

TAPPO COPRIFORO A TESTA SOTTILE
CLOSING PLUG WITH SLIM HEAD

Materiale / Material: HD-PE
Colore / Colour: bianco / white
Dimensioni / Dimensions: mm



RIFERIMENTO REFERENCE	D	D1	L
KAP 610-9003 02510	10,0	2,5	5,0
KAP 610-9003 02512	12,0	2,5	5,0
KAP 610-9003 02515	15,0	2,5	5,0
KAP 610-9003 02806	5,8	2,8	7,0
KAP 610-9003 02811	11,0	2,8	4,8
KAP 610-9003 03012	12,0	3,0	6,0
KAP 610-9003 03015	15,0	3,0	6,0
KAP 610-9003 03018	18,0	3,0	7,0
KAP 610-9003 04006	6,4	4,0	5,3
KAP 610-9003 04008	8,0	4,0	3,0
KAP 610-9003 04010	10,0	4,0	5,3
KAP 610-9003 04013	13,0	4,0	5,3
KAP 610-9003 04108	8,0	4,1	7,0
KAP 610-9003 05006	6,6	5,0	5,5
KAP 610-9003 05008	8,0	5,0	5,0
KAP 610-9003 05010	10,0	5,0	5,5
KAP 610-9003 05013	13,0	5,0	5,5
KAP 610-9003 05015	15,0	5,0	5,5
KAP 610-9003 05020	20,0	5,0	7,5
KAP 610-9003 05108	8,0	5,0	5,5
KAP 610-9003 05113	13,0	5,0	4,0
KAP 610-9003 05213	13,0	5,2	7,0
KAP 610-9003 05408	8,0	5,4	7,4
KAP 610-9003 05410	10,0	5,4	7,4
KAP 610-9003 05413	13,0	5,4	7,4
KAP 610-9003 05415	15,0	5,4	7,4



RIFERIMENTO REFERENCE	DD	1L	
KAP 610-9003 0550 8	8,0	5,5	5,8
KAP 610-9003 0551 0	10,0	5,5	5,6
KAP 610-9003 0551 2	12,0	5,5	5,6
KAP 610-9003 0600 8	8,0	6,0	5,4
KAP 610-9003 0601 0	10,0	6,0	5,4
KAP 610-9003 0601 2	12,0	6,0	7,0
KAP 610-9003 0601 3	13,0	6,0	5,4
KAP 610-9003 0601 5	15,0	6,0	5,4
KAP 610-9003 0651 3	13,0	6,6	7,0
KAP 610-9003 0651 5	15,0	6,5	6,0
KAP 610-9003 0661 3	13,0	6,6	7,0
KAP 610-9003 0661 5	15,0	6,6	7,0
KAP 610-9003 0701 0	10,0	7,0	6,5
KAP 610-9003 0701 3	13,0	7,0	6,5
KAP 610-9003 0701 5	15,0	7,0	6,5
KAP 610-9003 0701 6	16,0	7,0	6,5
KAP 610-9003 0702 0	20,0	7,0	7,5
KAP 610-9003 0711 0	10,0	7,0	3,9
KAP 610-9003 0721 0	10,0	7,2	2,0
KAP 610-9003 0791 3	13,0	7,9	6,0
KAP 610-9003 0801 0	10,0	8,0	6,3
KAP 610-9003 0801 3	13,0	8,0	6,3
KAP 610-9003 0801 5	15,0	8,0	6,3
KAP 610-9003 0801 6	16,0	8,0	6,3
KAP 610-9003 0801 7	17,0	8,0	6,3
KAP 610-9003 0851 3	13,0	8,5	6,9
KAP 610-9003 0851 5	15,0	8,5	6,9
KAP 610-9003 0851 6	16,0	8,5	6,9
KAP 610-9003 0901 2	12,0	9,0	6,4
KAP 610-9003 0901 3	13,0	9,0	6,4
KAP 610-9003 0901 5	15,0	9,0	6,4
KAP 610-9003 0901 6	16,0	9,0	6,4
KAP 610-9003 1001 2	12,0	10,0	6,7
KAP 610-9003 1001 3	13,0	10,0	6,7
KAP 610-9003 1001 5	15,0	10,0	6,7
KAP 610-9003 1001 6	16,0	10,0	6,7
KAP 610-9003 1011 3	13,0	10,0	3,0
KAP 610-9003 1051 3	13,0	10,5	4,0
KAP 610-9003 1101 3	13,0	11,0	5,0
KAP 610-9003 1101 5	15,0	11,0	5,0



RIFERIMENTO REFERENCE	DD	1L	
KAP 610-9003 1101 6	16,0	11,0	5,0
KAP 610-9003 1201 5	15,0	12,0	8,4
KAP 610-9003 1201 8	18,0	12,0	8,4
KAP 610-9003 1211 5	15,0	12,0	11,6
KAP 610-9003 1301 6	16,0	13,0	8,5
KAP 610-9003 1301 7	17,0	13,0	8,5
KAP 610-9003 1401 8	18,0	14,0	7,0
KAP 610-9003 1501 7	17,0	15,0	9,0
KAP 610-9003 1501 8	18,0	15,0	1,4
KAP 610-9003 1501 9	19,0	15,0	9,0
KAP 610-9003 1502 0	20,0	15,0	4,0
KAP 610-9003 1511 7	17,0	15,0	3,0
KAP 610-9003 1511 9	19,0	15,0	3,0
KAP 610-9003 1512 0	20,0	15,0	3,0
KAP 610-9003 1551 9	19,0	15,5	4,5
KAP 610-9003 1702 4	24,5	17,0	6,0
KAP 610-9003 1832 8	28,0	18,3	6,0
KAP 610-9003 2002 3	23,0	20,0	10,0
KAP 610-9003 2012 3	23,0	20,0	3,0
KAP 610-9003 2042 8	28,0	20,4	4,8
KAP 610-9003 2082 8	28,0	20,8	4,8
KAP 610-9003 2503 0	30,0	25,0	5,0

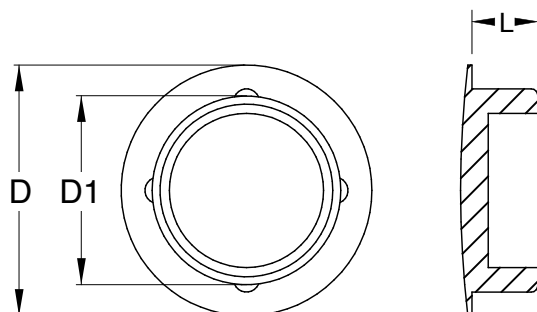




KAP 610 - 9005

TAPPO COPRIFORO A TESTA SOTTILE
CLOSING PLUG WITH SLIM HEAD

Materiale / Material: HD-PE
Colore / Colour: nero / black
Dimensioni / Dimensions: mm



RIFERIMENTO REFERENCE	D	D1	L
KAP 610-9005 02510	10,0	2,5	5,0
KAP 610-9005 02512	12,0	2,5	5,0
KAP 610-9005 02515	15,0	2,5	5,0
KAP 610-9005 02806	5,8	2,8	7,0
KAP 610-9005 02811	11,0	2,8	4,8
KAP 610-9005 03012	12,0	3,0	6,0
KAP 610-9005 03015	15,0	3,0	6,0
KAP 610-9005 03018	18,0	3,0	7,0
KAP 610-9005 04006	6,4	4,0	5,3
KAP 610-9005 04008	8,0	4,0	3,0
KAP 610-9005 04010	10,0	4,0	5,3
KAP 610-9005 04013	13,0	4,0	5,3
KAP 610-9005 04108	8,0	4,1	7,0
KAP 610-9005 05006	6,6	5,0	5,5
KAP 610-9005 05008	8,0	5,0	5,0
KAP 610-9005 05010	10,0	5,0	5,5
KAP 610-9005 05013	13,0	5,0	5,5
KAP 610-9005 05015	15,0	5,0	5,5
KAP 610-9005 05020	20,0	5,0	7,5
KAP 610-9005 05108	8,0	5,0	5,5
KAP 610-9005 05113	13,0	5,0	4,0
KAP 610-9005 05213	13,0	5,2	7,0
KAP 610-9005 05408	8,0	5,4	7,4
KAP 610-9005 05410	10,0	5,4	7,4
KAP 610-9005 05413	13,0	5,4	7,4
KAP 610-9005 05415	15,0	5,4	7,4



RIFERIMENTO REFERENCE	DD	1L	
KAP 610-9005 0550 8	8,0	5,5	5,8
KAP 610-9005 0551 0	10,0	5,5	5,6
KAP 610-9005 0551 2	12,0	5,5	5,6
KAP 610-9005 0600 8	8,0	6,0	5,4
KAP 610-9005 0601 0	10,0	6,0	5,4
KAP 610-9005 0601 2	12,0	6,0	7,0
KAP 610-9005 0601 3	13,0	6,0	5,4
KAP 610-9005 0601 5	15,0	6,0	5,4
KAP 610-9005 0651 3	13,0	6,6	7,0
KAP 610-9005 0651 5	15,0	6,5	6,0
KAP 610-9005 0661 3	13,0	6,6	7,0
KAP 610-9005 0661 5	15,0	6,6	7,0
KAP 610-9005 0701 0	10,0	7,0	6,5
KAP 610-9005 0701 3	13,0	7,0	6,5
KAP 610-9005 0701 5	15,0	7,0	6,5
KAP 610-9005 0701 6	16,0	7,0	6,5
KAP 610-9005 0702 0	20,0	7,0	7,5
KAP 610-9005 0711 0	10,0	7,0	3,9
KAP 610-9005 0721 0	10,0	7,2	2,0
KAP 610-9005 0791 3	13,0	7,9	6,0
KAP 610-9005 0801 0	10,0	8,0	6,3
KAP 610-9005 0801 3	13,0	8,0	6,3
KAP 610-9005 0801 5	15,0	8,0	6,3
KAP 610-9005 0801 6	16,0	8,0	6,3
KAP 610-9005 0801 7	17,0	8,0	6,3
KAP 610-9005 0851 3	13,0	8,5	6,9
KAP 610-9005 0851 5	15,0	8,5	6,9
KAP 610-9005 0851 6	16,0	8,5	6,9
KAP 610-9005 0901 2	12,0	9,0	6,4
KAP 610-9005 0901 3	13,0	9,0	6,4
KAP 610-9005 0901 5	15,0	9,0	6,4
KAP 610-9005 0901 6	16,0	9,0	6,4
KAP 610-9005 1001 2	12,0	10,0	6,7
KAP 610-9005 1001 3	13,0	10,0	6,7
KAP 610-9005 1001 5	15,0	10,0	6,7
KAP 610-9005 1001 6	16,0	10,0	6,7
KAP 610-9005 1011 3	13,0	10,0	3,0
KAP 610-9005 1051 3	13,0	10,5	4,0
KAP 610-9005 1101 3	13,0	11,0	5,0
KAP 610-9005 1101 5	15,0	11,0	5,0



RIFERIMENTO REFERENCE		DD	1L	
KAP 610-9005	1101 6	16,0	11,0	5,0
KAP 610-9005	1201 5	15,0	12,0	8,4
KAP 610-9005	1201 8	18,0	12,0	8,4
KAP 610-9005	1211 5	15,0	12,0	11,6
KAP 610-9005	1301 6	16,0	13,0	8,5
KAP 610-9005	1301 7	17,0	13,0	8,5
KAP 610-9005	1401 8	18,0	14,0	7,0
KAP 610-9005	1501 7	17,0	15,0	9,0
KAP 610-9005	1501 8	18,0	15,0	1,4
KAP 610-9005	1501 9	19,0	15,0	9,0
KAP 610-9005	1502 0	20,0	15,0	4,0
KAP 610-9005	1511 7	17,0	15,0	3,0
KAP 610-9005	1511 9	19,0	15,0	3,0
KAP 610-9005	1512 0	20,0	15,0	3,0
KAP 610-9005	1551 9	19,0	15,5	4,5
KAP 610-9005	1702 4	24,5	17,0	6,0
KAP 610-9005	1832 8	28,0	18,3	6,0
KAP 610-9005	2002 3	23,0	20,0	10,0
KAP 610-9005	2012 3	23,0	20,0	3,0
KAP 610-9005	2042 8	28,0	20,4	4,8
KAP 610-9005	2082 8	28,0	20,8	4,8
KAP 610-9005	2503 0	30,0	25,0	5,0



www.polykap.com

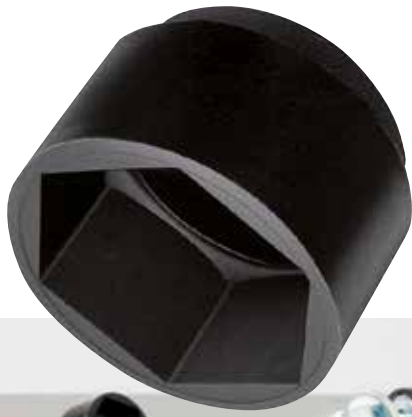
Tel. 0549 970203 - Fax 0

YKAP

Alu

БОГАНСЪ





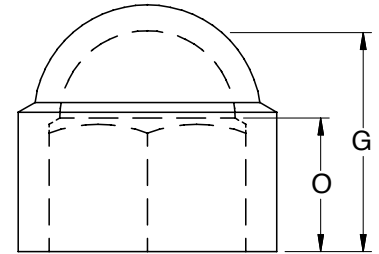
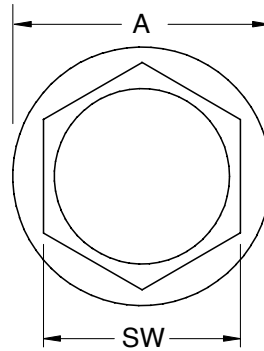
KAP 1000

CAPPUCCIO DI PROTEZIONE PER DADI E BULLONI ESAGONALI
 PROTECTIVE CAP FOR HEXAGONAL NUTS AND BOLTS

Materiale / Material: LD-PE

Colore / Colour: nero, grigio, bianco / black, grey, white

Dimensioni / Dimensions: mm



RIFERIMENTO REFERENCE	A	G	O	SW MT	FIL. MT	FIL. MT	FIL. MT	FIL. INC
KAP 1000 SW 7	9,0	7,5	3,5	7	M4			
KAP 1000 SW 8	10,9	8,5	5,0	8	M5			
KAP 1000 SW 10	12,9	12,0	6,0	10	M6			
KAP 1000 SW 13	16,8	14,0	7,5	13	M8		M8x1	
KAP 1000 SW 14	18,0	14,0	7,5	14				5/16
KAP 1000 SW 16	21,3	18,0	9,0	16	M10			
KAP 1000 SW 17	21,3	18,5	9,0	17	M10		M10x1	3/8
KAP 1000 SW 18	23,0	19,4	11,0	18	M12			
KAP 1000 SW 19	23,6	20,0	11,0	19	M12		M12x1,5	7/16
KAP 1000 SW 21	26,0	22,5	12,0	21	M14		M14x1,5	
KAP 1000 SW 22	27,5	22,5	12,0	22	M14		M14x1,5	1/2
KAP 1000 SW 24	29,8	25,5	14,0	24	M16		M16x1,5	
KAP 1000 SW 27	34,0	29,0	16,0	27	M18	M18x2	M18x1,5	5/8
KAP 1000 SW 30	37,4	31,0	17,0	30	M20	M20x2	M20x1,5	
KAP 1000 SW 32	39,7	34,0	19,0	32	M22	M22x2	M22x1,5	3/4
KAP 1000 SW 36	44,4	38,0	20,0	36	M24	M24x2	M24x1,5	7/8
KAP 1000 SW 41	50,1	44,0	23,0	41	M27	M27x2	M26x1,5	1
KAP 1000 SW 41	50,1	44,0	23,0	41	M27	M27x2	M27x1,5	1
KAP 1000 SW 41	50,1	44,0	23,0	41	M27	M27x2	M28x1,5	1
KAP 1000 SW 46	55,9	49,0	25,0	46	M30	M30x2	M30x1,5	1 1/8



RIFERIMENTO REFERENCE	A	G	O	SW MT	FIL. MT	FIL. MT	FIL. MT	FIL. INC
KAP 1000 SW 50	60,5	53,0	27,0	50	M33	M33x2	M33x1,5	
KAP 1000 SW 50	60,5	53,0	27,0	50	M33	M33x2	M32x1,5	
KAP 1000 SW 55	67,0	57,0	30,0	55	M36	M36x3	M36x1,5	
KAP 1000 SW 55	67,0	57,0	30,0	55	M36	M36x3	M35x1,5	
KAP 1000 SW 60	72,0	60,0	38,0	60	M39	M39x3	M38x1,5	
KAP 1000 SW 60	72,0	60,0	38,0	60	M39	M39x3	M39x1,5	
KAP 1000 SW 60	72,0	60,0	38,0	60	M39	M39x3	M40x1,5	
KAP 1000 SW 65	76,6	63,0	42,0	65	M42	M42x3	M42x1,5	
KAP 1000 SW 70	85,5	73,0	38,0	70	M45			
KAP 1000 SW 75	91,6	78,5	41,0	75				1 7/8
KAP 1000 SW 80	98,0	83,4	43,5	80				2
KAP 1000 SW 95	116,7	102,0	55,0	95				2 1/2

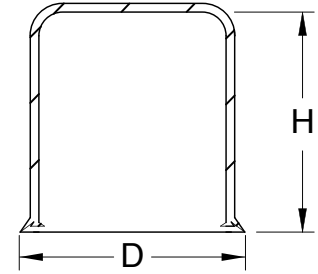
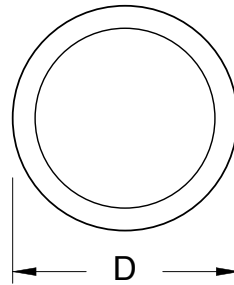




KAP 1010

CAPPUCCIO A TENUTA PER VITI E D ADI ESAGONALI
COVER CAP FOR NUTS AND BOLTS

Materiale / Material: LD-PE
Colore / Colour: nero / black
Dimensioni / Dimensions: mm



RIFERIMENTO REFERENCE	M	UNF	SW	H	D
KAP 1010 SW8/005	M 5		8	5,0	12,0
KAP 1010 SW8/010	M 5		8	10,0	12,0
KAP 1010 SW10/006	M 6		10	6,0	15,0
KAP 1010 SW10/011	M 6		10	11,0	15,0
KAP 1010 SW10/016	M 6		10	16,0	15,0
KAP 1010 SW10/034	M 6		10	34,0	15,0
KAP 1010 SW10,5/006	M 5		10,5	6,0	15,0
KAP 1010 SW10,6/006	M 6		10,6	6,0	15,0
KAP 1010 SW12/007	M 7		12	7,0	17,7
KAP 1010 SW13/008	M 8	1/4	13	8,0	18,5
KAP 1010 SW13/013	M 8	1/4	13	13,0	18,5
KAP 1010 SW13/018	M 8	1/4	13	18,0	18,5
KAP 1010 SW13/027	M 8	1/4	13	27,0	18,5
KAP 1010 SW17/010	M 10	3/8	17	10,0	23,5
KAP 1010 SW17/015	M 10	3/8	17	15,0	23,5
KAP 1010 SW17/020	M 10	3/8	17	20,0	23,5
KAP 1010 SW17/024	M 10	3/8	17	24,0	23,5
KAP 1010 SW17/029	M 10	3/8	17	29,0	23,5
KAP 1010 SW17/045	M 10	3/8	17	45,0	23,5
KAP 1010 SW19/012	M 12	7/16	19	12,0	26,1
KAP 1010 SW19/017	M 12	7/16	19	17,0	26,1
KAP 1010 SW19/022	M 12	7/16	19	22,0	26,1
KAP 1010 SW19/027	M 12	7/16	19	27,0	26,1
KAP 1010 SW19/037	M 12	7/16	19	37,0	26,1
KAP 1010 SW19/050	M 12	7/16	19	50,0	26,1
KAP 1010 SW22/011	M 14	1/2	22	11,0	29,0



RIFERIMENTO REFERENCE	M	UNF	SW	H	D
KAP 1010 SW22/02 4	M 14	1/2	22	24,0	30,3
KAP 1010 SW22/03 5	M 14	1/2	22	35,0	30,3
KAP 1010 SW22/06 4	M 14	1/2	22	64,0	30,3
KAP 1010 SW24/01 1	M 16	9/16	24	11,0	32,3
KAP 1010 SW24/02 1	M 16	9/16	24	21,0	32,3
KAP 1010 SW24/02 6	M 16	9/16	24	26,0	32,3
KAP 1010 SW24/03 1	M 16	9/16	24	31,0	32,3
KAP 1010 SW24/04 1	M 16	9/16	24	41,0	32,3
KAP 1010 SW24/05 1	M 16	9/16	24	51,0	32,3
KAP 1010 SW27/02 3	M 18	5/8	27	23,0	36,9
KAP 1010 SW27/03 0	M 18	5/8	27	30,0	36,9
KAP 1010 SW27/03 8	M 18	5/8	27	38,0	36,9
KAP 1010 SW30/01 4	M 20		30	14,0	40,4
KAP 1010 SW30/02 4	M 20		30	24,0	40,4
KAP 1010 SW30/02 8	M 20		30	28,0	40,4
KAP 1010 SW30/03 4	M 20		30	34,0	40,4
KAP 1010 SW30/03 9	M 20		30	39,0	40,4
KAP 1010 SW30/04 7	M 20		30	47,0	40,4
KAP 1010 SW30/07 9	M 20		30	79,0	40,4
KAP 1010 SW30/12 0	M 20		30	120,0	40,4
KAP 1010 SW32/02 7	M 22	3/4	32	27,0	42,1
KAP 1010 SW32/03 7	M 22	3/4	32	37,0	42,1
KAP 1010 SW36/02 8	M 24	7/8	36	28,0	47,2
KAP 1010 SW36/03 3	M 24	7/8	36	33,0	47,2
KAP 1010 SW36/03 8	M 24	7/8	36	38,0	47,2
KAP 1010 SW36/04 3	M 24	7/8	36	43,0	47,2
KAP 1010 SW36/05 2	M 24	7/8	36	52,0	47,2
KAP 1010 SW36/07 3	M 24	7/8	36	73,0	47,2
KAP 1010 SW41/03 1	M 27	1	41	31,0	53,4
KAP 1010 SW41/04 1	M 27	1	41	41,0	53,4
KAP 1010 SW41/04 6	M 27	1	41	46,0	53,4
KAP 1010 SW41/05 1	M 27	1	41	51,0	53,4
KAP 1010 SW41/07 6	M 27	1	41	76,0	53,4
KAP 1010 SW46/03 4	M 30	1 1/8	46	34,0	59,5
KAP 1010 SW46/04 4	M 30	1 1/8	46	44,0	59,5
KAP 1010 SW46/04 9	M 30	1 1/8	46	49,0	59,5
KAP 1010 SW46/07 9	M 30	1 1/8	46	79,0	59,5
KAP 1010 SW46/14 4	M 30	1 1/8	46	144,0	59,5
KAP 1010 SW50/05 1	M 33	1 1/4	50	51,0	64,2
KAP 1010 SW50/08 1	M 33	1 1/4	50	81,0	64,2



RIFERIMENTO REFERENCE	M	UNF	SW	H	D
KAP 1010 SW55/055	M 36	1 3/8	55	55,0	70,2
KAP 1010 SW55/085	M 36	1 3/8	55	85,0	70,2
KAP 1010 SW55/155	M 36	1 3/8	55	155,0	70,2
KAP 1010 SW60/057	M 39	1 1/2	60	57,0	78,6
KAP 1010 SW60/087	M 39	1 1/2	60	87,0	78,6
KAP 1010 SW60/107	M 39	1 1/2	60	107,0	78,6
KAP 1010 SW65/061	M 42	1 5/8	65	61,0	84,8
KAP 1010 SW65/091	M 42	1 5/8	65	91,0	84,8
KAP 1010 SW65/123	M 42	1 5/8	65	123,0	84,8
KAP 1010 SW65/145	M 42	1 5/8	65	145,0	94,0
KAP 1010 SW70/063	M 45	1 3/4	70	63,0	90,9
KAP 1010 SW70/093	M 45	1 3/4	70	93,0	90,9
KAP 1010 SW70/113	M 45	1 3/4	70	113,0	90,9
KAP 1010 SW75/066	M 48	1 7/8	75	66,0	97,0
KAP 1010 SW75/096	M 48	1 7/8	75	96,0	97,0
KAP 1010 SW80/070	M 52	2	80	70,0	105,0
KAP 1010 SW80/130	M 52	2	80	130,0	105,0
KAP 1010 SW85/074	M 56		85	74,0	109,0
KAP 1010 SW85/134	M 56		85	134,0	109,0
KAP 1010 SW90/078	M 60	2 1/4	90	78,0	120,0
KAP 1010 SW90/140	M 60	2 1/4	90	140,0	120,0
KAP 1010 SW95/086	M 64		95	86,0	122,0
KAP 1010 SW95/143	M 64		95	143,0	122,0
KAP 1010 SW100/090	M 68	2 1/2	100	90,0	125,0
KAP 1010 SW100/150	M 68	2 1/2	100	150,0	125,0
KAP 1010 SW105/090	M 72		105	90,0	135,0
KAP 1010 SW105/150	M 72		105	150,0	135,0
KAP 1010 SW107/095	M 76	2 3/4	107	95,0	137,0
KAP 1010 SW115/097	M 80		115	97,0	152,0
KAP 1010 SW115/180	M 80		115	180,0	152,0
KAP 1010 SW117/100	M 85	3	117	100,0	155,0
KAP 1010 SW130/100	M 90	3 1/4	130	100,0	173,0

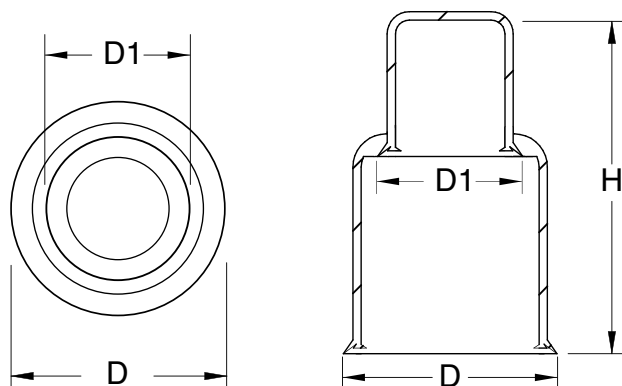




KAP 1010 - T

CAPPUCCIO TELESCOPICO A TENUTA PER VITI E DADI ESAGONALI
TELESCOPIC CAP FOR NUTS AND BOLTS

Materiale / Material: LD-PE
Colore / Colour: nero / black
Dimensioni / Dimensions: mm



RIFERIMENTO REFERENCE	M	UNF	SW	H	D	D1
KAP 1010-T SW22/040	M 14	1/2	22	40,0	30,3	23,5
KAP 1010-T SW22/044	M 14	1/2	22	44,0	30,3	23,5
KAP 1010-T SW22/051	M 14	1/2	22	51,0	30,3	23,5
KAP 1010-T SW22/060	M 14	1/2	22	60,0	30,3	23,5
KAP 1010-T SW22/077	M 14	1/2	22	77,0	30,3	23,5
KAP 1010-T SW22/087	M 14	1/2	22	87,0	30,3	23,5
KAP 1010-T SW24/062	M 16	9/16	24	62,0	32,3	23,5
KAP 1010-T SW24/066	M 16	9/16	24	66,0	32,3	23,5
KAP 1010-T SW24/070	M 16	9/16	24	70,0	32,3	23,5
KAP 1010-T SW24/087	M 16	9/16	24	87,0	32,3	23,5
KAP 1010-T SW27/048	M 18	5/8	27	48,0	36,9	26,1
KAP 1010-T SW27/053	M 18	5/8	27	53,0	36,9	26,1
KAP 1010-T SW27/063	M 18	5/8	27	63,0	36,9	26,1
KAP 1010-T SW27/076	M 18	5/8	27	76,0	36,9	26,1
KAP 1010-T SW30/067	M 20		30	67,0	40,4	30,3
KAP 1010-T SW30/090	M 20		30	90,0	40,4	30,3
KAP 1010-T SW30/092	M 20		30	92,0	40,4	30,3
KAP 1010-T SW30/109	M 20		30	109,0	40,4	30,3
KAP 1010-T SW30/175	M 20		30	175,0	40,4	30,3
KAP 1010-T SW32/070	M 22	3/4	32	70,0	42,1	30,3
KAP 1010-T SW32/095	M 22	3/4	32	95,0	42,1	30,3
KAP 1010-T SW36/069	M 24	7/8	36	69,0	47,2	32,3
KAP 1010-T SW36/088	M 24	7/8	36	88,0	47,2	32,3
KAP 1010-T SW36/098	M 24	7/8	36	98,0	47,2	32,3
KAP 1010-T SW36/117	M 24	7/8	36	117,0	47,2	32,3
KAP 1010-T SW36/145	M 24	7/8	36	145,0	47,2	32,3



RIFERIMENTO REFERENCE	M	UNF	SW	H	D	D1
KAP 1010-T SW41/066	M 27	1	41	66,0	53,4	36,9
KAP 1010-T SW41/069	M 27	1	41	69,0	53,4	36,9
KAP 1010-T SW41/098	M 27	1	41	98,0	53,4	36,9
KAP 1010-T SW41/101	M 27	1	41	101,0	53,4	36,9
KAP 1010-T SW41/115	M 27	1	41	115,0	53,4	36,9
KAP 1010-T SW41/150	M 27	1	41	150,0	53,4	36,9
KAP 1010-T SW46/083	M 30	1 1/8	46	83,0	59,5	40,4
KAP 1010-T SW46/092	M 30	1 1/8	46	92,0	59,5	40,4
KAP 1010-T SW46/112	M 30	1 1/8	46	112,0	59,5	40,4
KAP 1010-T SW46/121	M 30	1 1/8	46	121,0	59,5	40,4
KAP 1010-T SW46/150	M 30	1 1/8	46	150,0	59,5	40,4
KAP 1010-T SW46/185	M 30	1 1/8	46	185,0	59,5	40,4
KAP 1010-T SW46/221	M 30	1 1/8	46	221,0	59,5	40,4
KAP 1010-T SW46/256	M 30	1 1/8	46	256,0	59,5	40,4
KAP 1010-T SW50/083	M 33	1 1/4	50	83,0	64,2	42,1
KAP 1010-T SW50/111	M 33	1 1/4	50	111,0	64,2	42,1
KAP 1010-T SW50/115	M 33	1 1/4	50	115,0	64,2	42,1
KAP 1010-T SW50/144	M 33	1 1/4	50	144,0	64,2	42,1
KAP 1010-T SW55/092	M 36	1 3/8	55	92,0	70,2	47,2
KAP 1010-T SW55/101	M 36	1 3/8	55	101,0	70,2	47,2
KAP 1010-T SW55/120	M 36	1 3/8	55	120,0	70,2	47,2
KAP 1010-T SW55/121	M 36	1 3/8	55	121,0	70,2	47,2
KAP 1010-T SW55/149	M 36	1 3/8	55	149,0	70,2	47,2
KAP 1010-T SW55/192	M 36	1 3/8	55	192,0	70,2	47,2
KAP 1010-T SW55/201	M 36	1 3/8	55	201,0	70,2	47,2
KAP 1010-T SW55/225	M 36	1 3/8	55	225,0	70,2	47,2
KAP 1010-T SW60/097	M 39	1 1/2	60	97,0	78,6	53,4
KAP 1010-T SW60/125	M 39	1 1/2	60	125,0	78,6	53,4
KAP 1010-T SW60/126	M 39	1 1/2	60	126,0	78,6	53,4
KAP 1010-T SW60/139	M 39	1 1/2	60	139,0	78,6	53,4
KAP 1010-T SW60/154	M 39	1 1/2	60	154,0	78,6	53,4
KAP 1010-T SW65/100	M 42	1 5/8	65	100,0	84,8	53,4
KAP 1010-T SW65/128	M 42	1 5/8	65	128,0	84,8	53,4
KAP 1010-T SW65/129	M 42	1 5/8	65	129,0	84,8	53,4
KAP 1010-T SW65/158	M 42	1 5/8	65	158,0	84,8	53,4
KAP 1010-T SW65/191	M 42	1 5/8	65	191,0	84,8	53,4
KAP 1010-T SW70/105	M 45	1 3/4	70	105,0	90,9	59,5
KAP 1010-T SW70/133	M 45	1 3/4	70	133,0	90,9	59,5
KAP 1010-T SW70/134	M 45	1 3/4	70	134,0	90,9	59,5
KAP 1010-T SW70/163	M 45	1 3/4	70	163,0	90,9	59,5



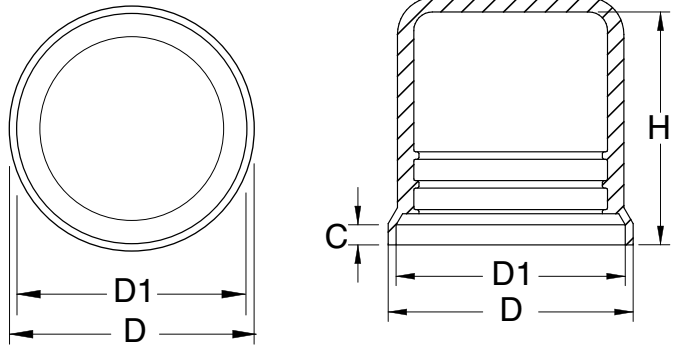
RIFERIMENTO REFERENCE	M	UNF	SW	H	D	D1
KAP 1010-T SW75/108	M 48	1 7/8	75	108,0	97,0	59,5
KAP 1010-T SW75/137	M 48	1 7/8	75	137,0	97,0	59,5
KAP 1010-T SW75/138	M 48	1 7/8	75	138,0	97,0	59,5
KAP 1010-T SW75/166	M 48	1 7/8	75	166,0	97,0	59,5
KAP 1010-T SW75/230	M 48	1 7/8	75	230,0	97,0	59,5
KAP 1010-T SW80/114	M 52	2	80	114,0	105,0	64,2
KAP 1010-T SW80/142	M 52	2	80	142,0	105,0	64,2
KAP 1010-T SW80/171	M 52	2	80	171,0	105,0	64,2
KAP 1010-T SW80/201	M 52	2	80	201,0	105,0	64,2
KAP 1010-T SW85/122	M 56		85	122,0	109,0	70,2
KAP 1010-T SW85/150	M 56		85	150,0	109,0	70,2
KAP 1010-T SW85/179	M 56		85	179,0	109,0	70,2
KAP 1010-T SW85/209	M 56		85	209,0	109,0	70,2
KAP 1010-T SW90/128	M 60	2 1/4	90	128,0	120,0	70,2
KAP 1010-T SW90/156	M 60	2 1/4	90	156,0	120,0	70,2
KAP 1010-T SW90/182	M 60	2 1/4	90	182,0	120,0	70,2
KAP 1010-T SW90/212	M 60	2 1/4	90	212,0	120,0	70,2
KAP 1010-T SW95/140	M 64		95	140,0	122,0	84,8
KAP 1010-T SW95/169	M 64		95	169,0	122,0	84,8
KAP 1010-T SW95/189	M 64		95	189,0	122,0	84,8
KAP 1010-T SW95/219	M 64		95	219,0	122,0	84,8
KAP 1010-T SW100/144	M 68	2 1/2	100	144,0	125,0	84,8
KAP 1010-T SW100/173	M 68	2 1/2	100	173,0	125,0	84,8
KAP 1010-T SW100/193	M 68	2 1/2	100	193,0	125,0	84,8
KAP 1010-T SW100/223	M 68	2 1/2	100	223,0	125,0	84,8
KAP 1010-T SW105/147	M 72		105	147,0	135,0	84,8
KAP 1010-T SW105/176	M 72		105	176,0	135,0	84,8
KAP 1010-T SW105/204	M 72		105	204,0	135,0	84,8
KAP 1010-T SW105/233	M 72		105	233,0	135,0	84,8
KAP 1010-T SW105/270	M 72		105	270,0	135,0	84,8
KAP 1010-T SW107/145	M 76	2 3/4	107	145,0	137,0	84,8
KAP 1010-T SW107/205	M 76	2 3/4	107	205,0	137,0	84,8
KAP 1010-T SW115/151	M 80		115	151,0	152,0	105,0
KAP 1010-T SW115/211	M 80		115	211,0	152,0	105,0
KAP 1010-T SW115/234	M 80		115	234,0	152,0	105,0
KAP 1010-T SW115/294	M 80		115	294,0	152,0	105,0
KAP 1010-T SW117/158	M 85	3	117	158,0	155,0	105,0
KAP 1010-T SW117/220	M 85	3	117	220,0	155,0	105,0
KAP 1010-T SW130/166	M 90	3 1/4	130	166,0	173,0	120,0
KAP 1010-T SW130/223	M 90	3 1/4	130	223,0	173,0	120,0



KAP 1020

CAPPUCCIO A TENUTA PER VITI E DADI ESAGONALI CON RONDELLA
COVER CAP FOR NUTS AND BOLTS WITH WASHER

Materiale / Material: LD-PE
Colore / Colour: nero / black
Dimensioni / Dimensions: mm



RIFERIMENTO REFERENCE	M	UNF	SW	D	D1	C	H
KAP 1020 SW7/005	M 4		7	10,5	9,0	0,8	5,0
KAP 1020 SW8/006	M 5		8	12,0	10,0	1,0	6,0
KAP 1020 SW10/007	M 6		10	15,2	12,0	1,6	7,0
KAP 1020 SW10/013	M 6		10	15,2	12,0	1,6	13,0
KAP 1020 SW10/018	M 6		10	15,2	12,0	1,6	18,0
KAP 1020 SW11/013	M 7		11	16,6	14,7	1,4	13,0
KAP 1020 SW13/010	M 8	1/4	13	18,8	16,0	1,6	10,0
KAP 1020 SW13/014	M 8	1/4	13	18,8	16,0	1,6	14,0
KAP 1020 SW13/019	M 8	1/4	13	18,8	16,0	1,6	19,0
KAP 1020 SW13/029	M 8	1/4	13	18,8	16,0	1,6	29,0
KAP 1020 SW17/012	M 10	3/8	17	23,5	20,0	2,0	12,0
KAP 1020 SW17/017	M 10	3/8	17	23,5	20,0	2,0	17,0
KAP 1020 SW17/047	M 10	3/8	17	23,5	20,0	2,0	47,0
KAP 1020 SW19/015	M 12	7/16	19	26,1	24,0	2,5	15,0
KAP 1020 SW19/020	M 12	7/16	19	26,1	24,0	2,5	20,0
KAP 1020 SW19/025	M 12	7/16	19	26,1	24,0	2,5	25,0
KAP 1020 SW19/040	M 12	7/16	19	26,1	24,0	2,5	40,0
KAP 1020 SW22/022	M 14	1/2	22	30,3	28,0	2,5	22,0
KAP 1020 SW22/037	M 14	1/2	22	30,3	28,0	2,5	37,0
KAP 1020 SW24/019	M 16	9/16	24	32,3	30,0	3,0	19,0
KAP 1020 SW24/024	M 16	9/16	24	32,3	30,0	3,0	24,0
KAP 1020 SW24/029	M 16	9/16	24	32,3	30,0	3,0	29,0
KAP 1020 SW24/034	M 16	9/16	24	32,3	30,0	3,0	34,0
KAP 1020 SW24/054	M 16	9/16	24	32,3	30,0	3,0	54,0



RIFERIMENTO REFERENCE	M	UNF	SW	D	D1	C	H
KAP 1020 SW24/069	M 16	9/16	24	32,3	30,0	3,0	69,0
KAP 1020 SW27/026	M 18	5/8	27	36,9	34,0	3,0	26,0
KAP 1020 SW30/025	M 20		30	40,4	37,0	3,0	25,0
KAP 1020 SW30/030	M 20		30	40,4	37,0	3,0	30,0
KAP 1020 SW30/037	M 20		30	40,4	37,0	3,0	37,0
KAP 1020 SW30/040	M 20		30	40,4	37,0	3,0	40,0
KAP 1020 SW30/052	M 20		30	40,4	37,0	3,0	52,0
KAP 1020 SW30/082	M 20		30	40,4	37,0	3,0	82,0
KAP 1020 SW32/040	M 22	3/4	32	42,1	39,0	3,0	40,0
KAP 1020 SW36/032	M 24	7/8	36	47,2	44,0	4,0	32,0
KAP 1020 SW36/042	M 24	7/8	36	47,2	44,0	4,0	42,0
KAP 1020 SW36/056	M 24	7/8	36	47,2	44,0	4,0	56,0
KAP 1020 SW36/077	M 24	7/8	36	47,2	44,0	4,0	77,0
KAP 1020 SW36/120	M 24	7/8	36	47,2	44,0	4,0	120,0
KAP 1020 SW41/035	M 27	1	41	53,4	50,0	4,0	35,0
KAP 1020 SW41/045	M 27	1	41	53,4	50,0	4,0	45,0
KAP 1020 SW41/080	M 27	1	41	53,4	50,0	4,0	80,0
KAP 1020 SW46/038	M 30	1 1/8	46	59,5	56,0	4,0	38,0
KAP 1020 SW46/053	M 30	1 1/8	46	59,5	56,0	4,0	53,0
KAP 1020 SW46/083	M 30	1 1/8	46	59,5	56,0	4,0	83,0
KAP 1020 SW50/041	M 33	1 1/4	50	64,2	60,0	5,0	41,0
KAP 1020 SW50/056	M 33	1 1/4	50	64,2	60,0	5,0	56,0
KAP 1020 SW50/086	M 33	1 1/4	50	64,2	60,0	5,0	86,0
KAP 1020 SW55/060	M 36	1 3/8	55	70,2	66,0	5,0	60,0
KAP 1020 SW55/090	M 36	1 3/8	55	70,2	66,0	5,0	90,0
KAP 1020 SW55/160	M 36	1 3/8	55	70,2	66,0	5,0	160,0
KAP 1020 SW60/063	M 39	1 1/2	60	78,6	72,0	6,0	63,0
KAP 1020 SW60/093	M 39	1 1/2	60	78,6	72,0	6,0	93,0
KAP 1020 SW65/068	M 42	1 5/8	65	84,8	78,0	7,0	68,0
KAP 1020 SW65/098	M 42	1 5/8	65	84,8	78,0	7,0	98,0
KAP 1020 SW65/130	M 42	1 5/8	65	84,8	78,0	7,0	130,0
KAP 1020 SW65/165	M 42	1 5/8	65	94,0	78,0	7,0	165,0
KAP 1020 SW70/070	M 45	1 3/4	70	92,0	88,0	7,0	70,0
KAP 1020 SW70/100	M 45	1 3/4	70	92,0	88,0	7,0	100,0
KAP 1020 SW70/140	M 45	1 3/4	70	92,0	88,0	7,0	140,0
KAP 1020 SW75/074	M 48	1 7/8	75	97,0	92,0	8,0	74,0



RIFERIMENTO REFERENCE	M	UNF	SW	D	D1	C	H
KAP 1020 SW75/103	M 48	1 7/8	75	97,0	92,0	8,0	103,0
KAP 1020 SW80/139	M 52	2	80	107,0	98,0	8,0	139,0
KAP 1020 SW85/083	M 56		85	109,0	105,0	9,0	83,0
KAP 1020 SW90/083	M 60	2 1/4	90	119,0	110,0	9,0	83,0
KAP 1020 SW95/140	M 64		95	122,0	115,0	9,0	140,0
KAP 1020 SW100/150	M 68	2 1/2	100	125,0	120,0	10,0	150,0
KAP 1020 SW105/160	M 72		105	134,0	125,0	10,0	160,0
KAP 1020 SW107/105	M 76	2 3/4	107	144,0	137,0	11,0	105,0
KAP 1020 SW117/115	M 85	3	117	156,0	149,0	15,0	115,0
KAP 1020 SW130/125	M 90	3 1/4	130	168,0	159,0	15,0	125,0





KAP 1020 - T

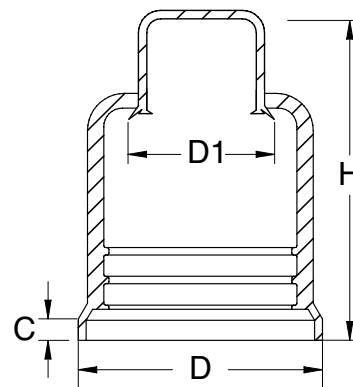
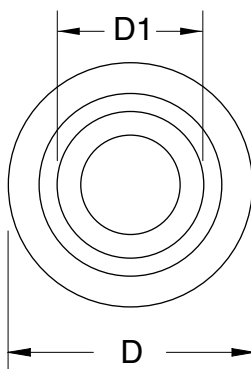
CAPPUCCIO TELESCOPICO A TENUTA
PER VITI E DADI ESAGONALI CON RONDELLA

TELESCOPIC CAP FOR NUTS AND BOLTS WITH WASHER

Materiale / Material: LD-PE

Colore / Colour: nero / black

Dimensioni / Dimensions: mm



RIFERIMENTO REFERENCE	M	UNF	SW	D	D1	C	H
KAP 1020-T SW19/065	M 12	7/16	19	26,1	18,8	2,5	65,0
KAP 1020-T SW22/048	M 14	1/2	22	30,3	23,5	2,5	48,0
KAP 1020-T SW22/053	M 14	1/2	22	30,3	23,5	2,5	53,0
KAP 1020-T SW22/057	M 14	1/2	22	30,3	23,5	2,5	57,0
KAP 1020-T SW24/073	M 16	9/16	24	32,3	23,5	3,0	73,0
KAP 1020-T SW24/085	M 16	9/16	24	32,3	23,5	3,0	85,0
KAP 1020-T SW24/089	M 16	9/16	24	32,3	23,5	3,0	89,0
KAP 1020-T SW27/044	M 18	5/8	27	36,9	26,1	3,0	44,0
KAP 1020-T SW27/049	M 18	5/8	27	36,9	26,1	3,0	49,0
KAP 1020-T SW27/072	M 18	5/8	27	36,9	26,1	3,0	72,0
KAP 1020-T SW30/070	M 20		30	40,4	30,3	3,0	70,0
KAP 1020-T SW30/095	M 20		30	40,4	30,3	3,0	95,0
KAP 1020-T SW30/102	M 20		30	40,4	30,3	3,0	102,0
KAP 1020-T SW30/112	M 20		30	40,4	30,3	3,0	112,0
KAP 1020-T SW30/115	M 20		30	40,4	30,3	3,0	115,0
KAP 1020-T SW32/073	M 22	3/4	32	42,1	30,3	3,0	73,0
KAP 1020-T SW32/098	M 22	3/4	32	42,1	30,3	3,0	98,0
KAP 1020-T SW36/083	M 24	7/8	36	47,2	32,3	4,0	83,0
KAP 1020-T SW36/102	M 24	7/8	36	47,2	32,3	4,0	102,0
KAP 1020-T SW36/103	M 24	7/8	36	47,2	32,3	4,0	103,0
KAP 1020-T SW36/121	M 24	7/8	36	47,2	32,3	4,0	121,0
KAP 1020-T SW36/138	M 24	7/8	36	47,2	32,3	4,0	138,0
KAP 1020-T SW41/070	M 27	1	41	53,4	36,9	4,0	70,0
KAP 1020-T SW41/105	M 27	1	41	53,4	36,9	4,0	105,0



RIFERIMENTO REFERENCE	M	UNF	SW	D	D1	C	H
KAP 1020-T SW46/087	M 30	1 1/8	46	59,5	40,4	4,0	87,0
KAP 1020-T SW46/096	M 30	1 1/8	46	59,5	40,4	4,0	96,0
KAP 1020-T SW46/115	M 30	1 1/8	46	59,5	40,4	4,0	115,0
KAP 1020-T SW46/124	M 30	1 1/8	46	59,5	40,4	4,0	124,0
KAP 1020-T SW46/155	M 30	1 1/8	46	59,5	40,4	4,0	155,0
KAP 1020-T SW50/088	M 33	1 1/4	50	64,2	42,1	5,0	88,0
KAP 1020-T SW50/116	M 33	1 1/4	50	64,2	42,1	5,0	116,0
KAP 1020-T SW50/195	M 33	1 1/4	50	64,2	42,1	5,0	195,0
KAP 1020-T SW55/097	M 36	1 3/8	55	70,2	47,2	5,0	97,0
KAP 1020-T SW55/125	M 36	1 3/8	55	70,2	47,2	5,0	125,0
KAP 1020-T SW55/126	M 36	1 3/8	55	70,2	47,2	5,0	126,0
KAP 1020-T SW55/154	M 36	1 3/8	55	70,2	47,2	5,0	154,0
KAP 1020-T SW55/200	M 36	1 3/8	55	70,2	47,2	5,0	200,0
KAP 1020-T SW55/221	M 36	1 3/8	55	70,2	47,2	5,0	221,0
KAP 1020-T SW60/130	M 39	1 1/2	60	78,6	53,4	6,0	130,0
KAP 1020-T SW60/160	M 39	1 1/2	60	78,6	53,4	6,0	160,0
KAP 1020-T SW65/135	M 42	1 5/8	65	84,8	53,4	7,0	135,0
KAP 1020-T SW65/165	M 42	1 5/8	65	84,8	53,4	7,0	165,0
KAP 1020-T SW65/200	M 42	1 5/8	65	84,8	53,4	7,0	200,0
KAP 1020-T SW70/112	M 45	1 3/4	70	92,0	59,5	7,0	112,0
KAP 1020-T SW70/141	M 45	1 3/4	70	92,0	59,5	7,0	141,0
KAP 1020-T SW70/142	M 45	1 3/4	70	92,0	59,5	7,0	142,0
KAP 1020-T SW70/171	M 45	1 3/4	70	92,0	59,5	7,0	171,0
KAP 1020-T SW70/182	M 45	1 3/4	70	92,0	59,5	7,0	182,0
KAP 1020-T SW70/211	M 45	1 3/4	70	92,0	59,5	7,0	211,0
KAP 1020-T SW75/116	M 48	1 7/8	75	97,0	59,5	8,0	116,0
KAP 1020-T SW75/143	M 48	1 7/8	75	97,0	59,5	8,0	143,0
KAP 1020-T SW75/145	M 48	1 7/8	75	97,0	59,5	8,0	145,0
KAP 1020-T SW75/172	M 48	1 7/8	75	97,0	59,5	8,0	172,0
KAP 1020-T SW80/175	M 52	2	80	107,0	64,2	8,0	175,0
KAP 1020-T SW80/205	M 52	2	80	107,0	64,2	8,0	205,0
KAP 1020-T SW85/130	M 56		85	109,0	70,2	9,0	130,0
KAP 1020-T SW85/158	M 56		85	109,0	70,2	9,0	158,0
KAP 1020-T SW90/125	M 60	2 1/4	90	119,0	70,2	9,0	125,0
KAP 1020-T SW90/155	M 60	2 1/4	90	119,0	70,2	9,0	155,0
KAP 1020-T SW95/181	M 64		95	122,0	84,8	9,0	181,0



RIFERIMENTO REFERENCE	M	UNF	SW	D	D1	C	H
KAP 1020-T SW95/211	M 64		95	122,0	84,8	9,0	211,0
KAP 1020-T SW100/193	M 68	2 1/2	100	125,0	84,8	10,0	193,0
KAP 1020-T SW100/223	M 68	2 1/2	100	125,0	84,8	10,0	223,0
KAP 1020-T SW105/206	M 72		105	134,0	84,8	10,0	206,0
KAP 1020-T SW105/236	M 72		105	134,0	84,8	10,0	236,0
KAP 1020-T SW107/156	M 76	2 3/4	107	144,0	84,8	11,0	156,0
KAP 1020-T SW107/226	M 76	2 3/4	107	144,0	84,8	11,0	226,0
KAP 1020-T SW117/173	M 85	3	117	156,0	119,0	15,0	173,0
KAP 1020-T SW117/235	M 85	3	117	156,0	119,0	15,0	235,0
KAP 1020-T SW130/181	M 90	3 1/4	130	168,0	119,0	15,0	181,0
KAP 1020-T SW130/238	M 90	3 1/4	130	168,0	119,0	15,0	238,0

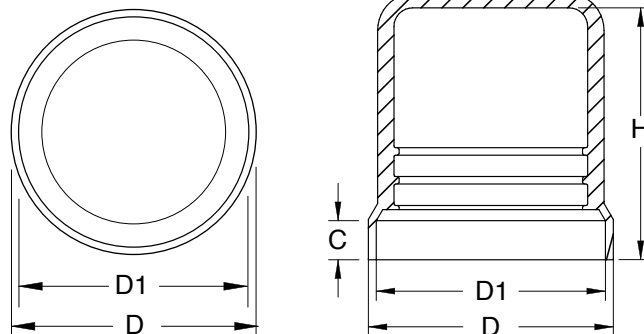




KAP 1030

CAPPUCCIO A TENUTA PER VITI E DADI ESAGONALI CON RONDELLA ALTA
COVER CAP FOR NUTS AND BOLTS WITH HIGH WASHER

Materiale / Material: LD-PE
Colore / Colour: nero / black
Dimensioni / Dimensions: mm



RIFERIMENTO REFERENCE	M	UNF	SW	D	D1	C	H
KAP 1030 SW8/008	M 5		8	17,1	15,0	3,0	8,0
KAP 1030 SW13/012	M 8	1/4	13	26,6	24,3	2,2	12,0
KAP 1030 SW13/016	M 8	1/4	13	19,6	17,9	2,8	16,0
KAP 1030 SW17/012	M 10	3/8	17	33,6	30,8	2,4	12,0
KAP 1030 SW17/019	M 10	3/8	17	25,6	23,6	4,0	19,0
KAP 1030 SW19/025	M 12	7/16	19	26,0	24,8	5,7	25,0
KAP 1030 SW24/025	M 16	9/16	24	58,0	55,0	4,5	25,0
KAP 1030 SW24/027	M 16	9/16	24	34,6	32,0	6,0	27,0
KAP 1030 SW24/032	M 16	9/16	24	34,6	32,0	6,0	32,0
KAP 1030 SW30/045	M 20		30	42,0	39,0	6,0	45,0
KAP 1030 SW32/054	M 22	3/4	32	44,0	41,5	7,5	54,0
KAP 1030 SW55/174	M 36	1 3/8	55	77,0	70,0	25,0	174,0
KAP 1030 SW65/174	M 42	1 5/8	65	95,0	81,0	33,0	174,0

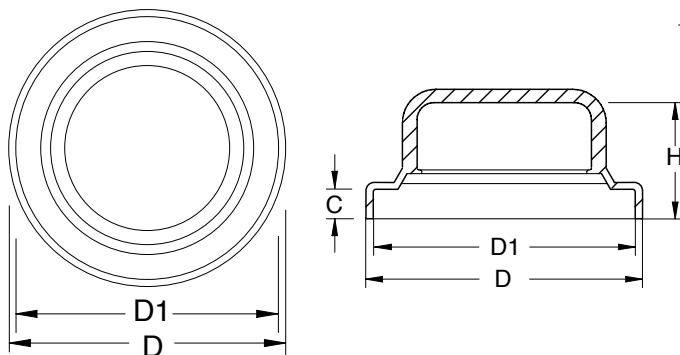




KAP 1040

CAPPUCCIO A TENUTA PER VITI E DADI ESAGONALI CON RONDELLA LARGA
COVER CAP FOR NUTS AND BOLTS WITH LARGE WASHER

Materiale / Material: LD-PE
Colore / Colour: nero / black
Dimensioni / Dimensions: mm

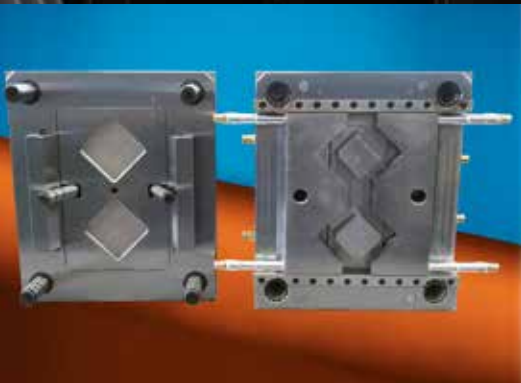


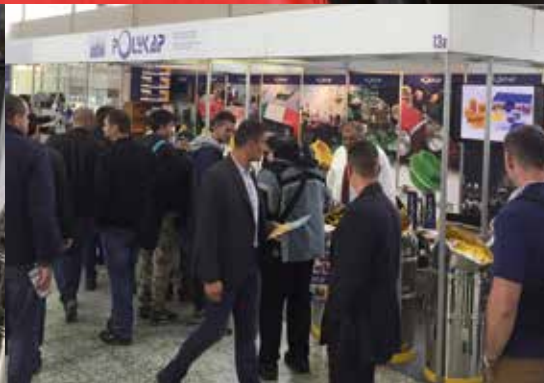
RIFERIMENTO REFERENCE	M	UNF	SW	D	D1	C	H
KAP 1040 SW8/006	M 5		8	13,5	12,0	1,0	6,0
KAP 1040 SW19/026	M 12	7/16	19	43,5	41,0	3,0	26,0

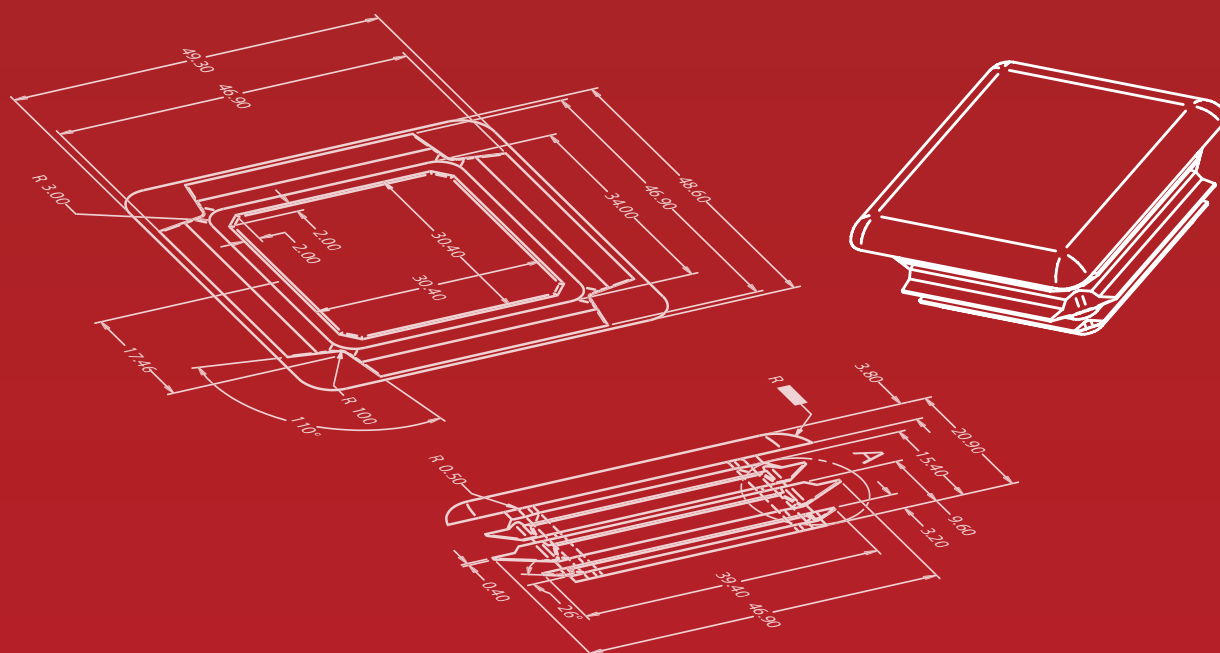




POLUKAP®







POLYKAP®

TAPPI E CAPPUCCI IN PLASTICA PER L'INDUSTRIA

POLYKAP s.r.l Via Dei Paceri, 77 47891 Falciano - Repubblica di San Marino
Tel. +39 0549 970203 - Fax +39 0549 910120
www.polykap.com - info@polykap.com

MADE BY POLYKAP

Graphic Project: Stone Line

Exclusive Photographer: Max Salani

Printed: La Pieve Poligrafica Editore





Catalogue

SAFEPLAST

CAPLUGS EU

POLYKAP

KIBA

EUROPE

The Leader in Plastic
Protection Since 1948



Product Catalog

Produktkatalog

 **SAFEPLAST**
A CAPPLUGS COMPANY

About Safeplast

Safeplast Oy is known worldwide as the leading manufacturer of high-quality hose protection. Safeplast was recently acquired by Caplugs. Safeplast together with Caplugs can provide you access to the most comprehensive range of hose protection options in the industry. The products are designed and manufactured by our own product development and manufacturing teams.

The product range consists of two separate categories. The Safe-Spirals which are manufactured by extrusion technology mainly from high density polyethylene. The second, the textile category consists of the Safe-Sleeves and the textile straps for binding and bundling hoses etc. The textile range includes various materials and sizes for different needs and to fulfil the standards.

The Safe-Spirals, the Safe-Sleeves and the Safe-Straps are available also in custom branded versions for premium customers. The especially designed

assembling tools and accessories complete our product portfolio and ensure our customers to be more competitive in productivity.

Forestry, agriculture, offshore and mining machine manufacturers are forerunners in using Safe-Spirals and Safe-Sleeves to protect hydraulic hoses and to avoid sudden hose break down and lost working hours.

We invest heavily in the development of new products of sustainable materials and processes. The world's first Bio-Spirals authenticates this, just this one to mention. This is because we care. Safeplast Oy gives high value to customer satisfaction. We are known of reliable service, flexible solutions, and deliveries just on time.

Safeplast is always the Safe choice!



Über Safeplast

Safeplast Oy ist weltweit als führender Hersteller von hochwertigem Schlauchschutz bekannt. Safeplast wurde vor Kurzem von Caplugs übernommen. Zusammen mit Caplugs bietet Safeplast Zugriff auf das umfangreichste Sortiment in den Schlauchschutzprodukten. Die Produkte werden von unseren eigenen Produktentwicklungs- und Fertigungsteams entworfen und hergestellt.

Die Produktpalette besteht aus zwei verschiedenen Kategorien. Die Safe-Spiralen, die durch Extrusionstechnologie hauptsächlich aus HDPE hergestellt werden. Zweitens besteht die Textilkategorie aus dem Safe-Sleeve und den Textilriemen zum Binden und Bündeln von Schläuchen. Das Textilsortiment umfasst verschiedene Materialien und Größen für unterschiedliche Bedürfnisse und zur Erfüllung der Standards.

Die Safe-Spiral, Safe-Sleeve und Safe-Strip sind auch in kundenspezifischen Markenversionen für Premium-Kunden

erhältlich. Die speziell entwickelten Installationswerkzeuge und das Zubehör vervollständigen unser Produktportfolio und sorgen dafür, dass unsere Kunden in ihrer Produktivität wettbewerbsfähiger sind.

Forstwirtschaft, Landwirtschaft, Offshore- und Bergbaumaschinenhersteller sind Vorreiter bei der Verwendung der Safe-Spiral und Safe-Sleeve, um Hydraulikschläuche zu schützen und Schlauchbrüche und verlorene Arbeitszeiten zu vermeiden.

Wir investieren stark in die Entwicklung neuer Produkte aus nachhaltigen Materialien und Prozessen. Weil uns die Umwelt wichtig ist, haben wir die weltweit ersten Bio-Spirale entwickelt. Safeplast verleiht der Kundenzufriedenheit einen hohen Wert. Wir sind bekannt für zuverlässigen Service, flexible Lösungen und pünktliche Lieferungen.

Safeplast ist immer die sichere Wahl!

Table of Content

SAFE-SPIRALS	6
Safe-Spiral.....	7
Safe-Spiral with your brand	8
Safe-Spiral DUO.....	9
Safe-Spiral BIO	10
Safe-Spiral ECO	11
Safe-Spiral ABRA.....	12
Safe-Spiral ASTA.....	13
Safe-Spiral MINE+	14
Safe-Spiral Glow	15
Safe-Spiral Binding Spirals.....	16
SAFE-SLEEVES	18
Safe-Sleeve.....	19
Safe-Sleeve MSHA	20
Safe-Sleeve Nylon MSHA	21
Aluminium ferrules.....	22
SAFE-WRAPS	24
Safe-Wrap.....	25
Safe-Wrap MSHA	26
Safe-Sleeve Wrap	27
FIRE-SLEEVES	28
Safe-Fire Sleeve	29
Safe-Fire Wrap	30
Safe-Fire Tape	31
SAFE-STRIPS	32
Safe-Strap.....	33
Safe-Strip with Velcro fasteners/mit Klettverschluss.....	34
Safe-Strip with buckle / mit Schnalle	35
ACCESSORIES	36
Safe-Bundler/Safe-Tool	36
Safe-Stopper	38
Safe-Tether	39
STANDARD PACKAGES / STANDARDVERPACKUNGEN	40
CUSTOMIZED SOLUTIONS	42
Pre-Cuts	42
Shop packages	43



Contacts



Jarkko Iso-Eskeli
Export Manager
Mobile +358 400 288 170
jarkko.iso-eskeli@safeplast.fi



Klaus Gummerus
Export Manager
Mobile +358 500 62 4718
klaus.gummerus@safeplast.fi



Jimi Kuitunen
Sales Manager
Mobile +358 400 161 115
jimi.kuitunen@safeplast.fi



Päivi Urvikko
Product Manager
(Textile products)
Mobile +358 40 732 5153
paivi.urvikko@safeplast.fi

SALES AND CUSTOMER SERVICE

sales@safeplast.fi
Tel. +358 3 252 5911
Teerivuorenkatu 5 - 7
33300 Tampere, Finland
www.safeplast.fi





Safe-Spirals

Our standard hose protection spiral produced by extrusion from High Density Polyethylene.

Unsere Standard-Schlauchschutzspirale, hergestellt durch Extrusion aus Polyethylen hoher Dichte.



Safe-Spiral



High quality plastic hose guard for protection and bundling of hoses.

Hochwertige Kunststoffschlauchschtz zum Schutz und zur Bündelung von Schläuchen.

EN PROPERTIES

- Material high density polyethylene (HDPE)
- Resistant to acids, oil and solvents
- UV-tolerant
- Halogen free
- Tolerates both heat and frost
- Recyclable
- Hardness 64 (Shore D)
- Temperature range -55 °C to +100 °C
- Colours: standard black and yellow, other colours available on request

DE EIGENSCHAFTEN

- Material Polyethylen mit hoher Dichte (HDPE)
- Säure-, Öl- und Lösungsmittelbeständig
- UV-beständig
- Halogenfrei
- Frost- und Hitzebeständig
- Recyclbar
- Härte 64 (Shore D)
- Temperaturbereich -55 °C bis +100 °C
- Farben: Standardfarben schwarz und gelb, andere Farben auf Anfrage

EN	OUTER DIAMETER	INNER DIAMETER	RECOMMENDED USAGE RANGE / HOSE OD	COIL LENGTH	WEIGHT
DE	AUSSEN Ø	INNEN Ø	ANWENDUNGSBEREICH / SCHLAUCH AD	ROLLEN-LÄNGE	GEWICHT
	mm	mm	mm	m	kg/m
	12	9.6	9 – 13	25	0.04
	16	13.4	13 – 18	25	0.06
	20	16.0	16 – 22	25	0.11
	25	20.6	20 – 27	25	0.17
	32	27.0	27 – 36	25	0.23
	40	34.6	34 – 44	25	0.29
	50	43.2	43 – 55	25	0.41
	63	55.6	55 – 67	25	0.55
	75	66.2	66 – 80	20	0.88
	90	80.2	80 – 98	15	1.20
	110	99.0	99 – 115	10	1.61
	125	113.2	113 – 130	8	2.05
	140	127.0	125 – 155	6	2.38

Available in coils and pre-cut lengths / Erhältlich in Rollen und Fixlängen

Safe-Spiral with your brand



Safe-Spirals with colour edge can be laser marked with your brand or logo text for you to further increase your brand awareness. Also product codes, batch numbers etc. are possible to print on the spirals. We serve OEM's and brand owners worldwide.

Minimum order quantity (MOQ) is 500 meters per size-range / laser mark / colour combination.

Safe-Spiralen mit farbigen Rändern können mit Ihrem Brandzeichen oder Logo-Text lasermarkiert werden, um Ihre Markenbekanntheit weiter zu steigern. Auch Produktcodes, Chargennummern usw. können auf die Spiralen gedruckt werden. Wir betreuen OEM's und Markeninhaber weltweit.

Die Mindestbestellmenge (MOQ) beträgt 500 Meter pro Größenbereich Lasermarkierung / Farbkombination.

EN PROPERTIES

- Material high density polyethylene (HDPE)
- Resistant to acids, oil and solvents
- UV-tolerant
- Halogen free
- Tolerates both heat and frost
- Recyclable
- Hardness 64 (Shore D)
- Temperature range -55 °C to +100 °C
- Colours: black with colour edges

DE EIGENSCHAFTEN

- Material Polyethylen mit hoher Dichte (HDPE)
- Säure-, Öl-, und Lösungsmittelbeständig
- UV-beständig
- Halogenfrei
- Frost- und Hitzebeständig
- Recyclbar
- Härte 64 (Shore D)
- Temperaturbereich -55 °C to +100 °C
- Farbe: schwarz mit farbigen Rändern

EN	OUTER DIAMETER	INNER DIAMETER	RECOMMENDED USAGE RANGE / HOSE OD	COIL LENGTH	WEIGHT
DE	AUSSEN Ø	INNEN Ø	ANWENDUNGSBEREICH / SCHLAUCH AD	ROLLEN-LÄNGE	GEWICHT
	mm	mm	mm	m	kg/m
	16	13.4	13 – 18	25	0.06
	20	16.0	16 – 22	25	0.11
	25	20.6	20 – 27	25	0.17
	32	27.0	27 – 36	25	0.23
	40	34.6	34 – 44	25	0.29
	50	43.2	43 – 55	25	0.41
	63	55.6	55 – 67	25	0.55
	75	66.2	66 – 80	20	0.88
	90	80.2	80 – 98	15	1.20
	110	99.0	99 – 115	10	1.61

Available in coils and pre-cut lengths / Erhältlich in Rollen und Fixlängen

Safe-Spiral DUO



Safe-Spiral DUO is designed for marking of different types of hoses and / or to catch attention to a certain object. Minimum order quantity (MOQ) 500 m per colour combination.

Mit Safe-Spirale DUO können Sie unterschiedliche Schlauchtypen markieren oder die Aufmerksamkeit auf ein bestimmtes Objekt lenken. Die Mindestbestellmenge (MOQ) 500 m pro Farbkombination.

EN PROPERTIES

- Material high density polyethylene (HDPE)
- Resistant to acids, oil and solvents
- UV-tolerant
- Halogen free
- Tolerates both heat and frost
- Recyclable
- Hardness 64 (Shore D)
- Temperature range -55 °C to +100 °C
- Colours: black edges + colour stripe

DE EIGENSCHAFTEN

- Material Polyethylen mit hoher Dichte (HDPE)
- Säure-, Öl- und Lösungsmittelbeständig
- UV-beständig
- Halogenfrei
- Frost- und Hitzebeständig
- Recyclbar
- Härte 64 (Shore D)
- Temperaturbereich -55 °C bis +100 °C
- Farbe: schwarze Ränder, farbige Streifen

EN	OUTER DIAMETER	INNER DIAMETER	RECOMMENDED USAGE RANGE / HOSE OD	COIL LENGTH	WEIGHT
DE	AUSSEN Ø	INNEN Ø	ANWENDUNGSBEREICH / SCHLAUCH AD	ROLLEN-LÄNGE	GEWICHT
	mm	mm	mm	m	kg/m
	16	13.4	13 – 18	25	0.06
	20	16.0	16 – 22	25	0.11
	25	20.6	20 – 27	25	0.17
	32	27.0	27 – 36	25	0.23
	40	34.6	34 – 44	25	0.29
	50	43.2	43 – 55	25	0.41
	63	55.6	55 – 67	25	0.55
	75	66.2	66 – 80	20	0.88
	90	80.2	80 – 98	15	1.20
	110	99.0	99 – 115	10	1.61

Available in coils and pre-cut lengths / Erhältlich in Rollen und Fixlangen

Safe-Spiral BIO



Safe-Spiral BIO hose guard is made from bio-based plastics. The material for Safe-Spiral BIO comes from sugarcane, which is refined to ethanol and further processed to polyethylene. The sugarcane binds carbon dioxide to itself while it's growing, so the carbon emission is balanced in the production process.

Das Rohmaterial für Safe-Spirale BIO stammt aus Zuckerrohr. Aus Zuckerrohr gewonnenes Ethanol wird zu Polyethylen weiterverarbeitet. Das Zuckerrohr bindet während des Wachstums Kohlendioxid an sich selbst, dadurch werden die Kohlenstoffemissionen des Produktionsprozesses ausgeglichen.

EN PROPERTIES

- Material biobased high density polyethylene (HDPE)
- Resistant to acids, oil and solvents
- UV-tolerant
- Halogen free
- Tolerates both heat and frost
- Recyclable
- Temperature range -55 °C to +100 °C
- Colours: black – green

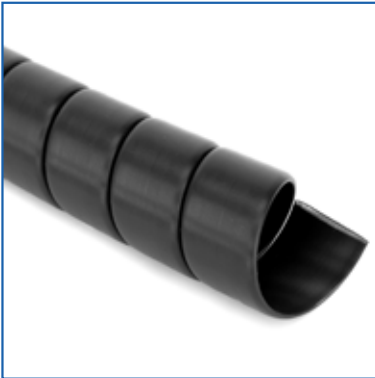
DE EIGENSCHAFTEN

- Material biobasierten Polyethylen mit hoher Dichte (HDPE)
- Säure-, Öl-, und Lösungsmittelbeständig
- UV-beständig
- Halogen frei
- Frost- und Hitzebeständig
- Recyclbar
- Temperaturbereich -55 °C bis +100 °C
- Farbe: schwarz – grün

EN	OUTER DIAMETER	INNER DIAMETER	RECOMMENDED USAGE RANGE / HOSE OD	COIL LENGTH	WEIGHT
DE	AUSSEN Ø	INNEN Ø	ANWENDUNGSBEREICH / SCHLAUCH AD	ROLLEN-LÄNGE	GEWICHT
	mm	mm	mm	m	kg/m
	16	13.4	13 – 18	25	0.06
	20	16.0	16 – 22	25	0.11
	25	20.6	20 – 27	25	0.17
	32	27.0	27 – 36	25	0.23
	40	34.6	34 – 44	25	0.29
	50	43.2	43 – 55	25	0.41
	63	55.6	55 – 67	25	0.55
	75	66.2	66 – 80	20	0.88
	90	80.2	80 – 98	15	1.20
	110	99.0	99 – 115	10	1.61

Available in coils / Erhältlich in Rollen

Safe-Spiral ECO



Environment friendly solution for hose protection. Made from recycled plastics.

Umweltfreundliche Lösung für den Schlauchschutz. Hergestellt aus recycelten Kunststoffen.



EN PROPERTIES

- Material 100 % recycled high density polyethylene (HDPE)
- Resistant to acids, oil and solvents
- Contain no harmful materials
- Tolerates both heat and frost
- Recyclable
- Temperature range -40 °C to +80 °C
- Colours: black

DE EIGENSCHAFTEN

- Material Polyethylen mit hoher Dichte (HDPE)
- Säure-, Öl- und Lösungsmittelbeständig
- Enthalten keine schädlichen Stoffe
- Frost- und Hitzebeständig
- Recyclbar
- Temperaturbereich -40 °C bis +80 °C
- Farbe: schwarz

EN	OUTER DIAMETER	INNER DIAMETER	RECOMMENDED USAGE RANGE / HOSE OD	COIL LENGTH	WEIGHT
DE	AUSSEN Ø	INNEN Ø	ANWENDUNGSBEREICH / SCHLAUCH AD	ROLLEN-LÄNGE	GEWICHT
	mm	mm	mm	m	kg/m
	12	9.6	9 – 13	25	0.04
	16	13.4	13 – 18	25	0.06
	20	16.0	16 – 22	25	0.11
	25	20.6	20 – 27	25	0.17
	32	27.0	27 – 36	25	0.23
	40	34.6	34 – 44	25	0.29
	50	43.2	43 – 55	25	0.41
	63	55.6	55 – 67	25	0.55
	75	66.2	66 – 80	20	0.88
	90	80.2	80 – 98	15	1.20
	110	99.0	99 – 115	10	1.61

Available in coils and pre-cut lengths / Erhältlich in Rollen und Fixlängen

Safe-Spiral ABRA



Safe-Spiral ABRA is a 2-coloured Wear Indicator –spiral. Safe-Spiral ABRA helps to identify those problematic points that are exposed to abrasion and / or hard hits and therefore need more punctual monitoring: once the black top layer wears off and the yellow colour appears this indicates that the spiral should soon be replaced.

Die Safe-Spirale ABRA ist eine zweifarbige Scheuerindikator-Spirale. Die Safe-Spirale ABRA hilft problematische Stellen zu erkennen, die Abrieb und/ oder starken Stößen ausgesetzt sind, und daher eine besondere punktuelle Überwachung erfordern: Wenn die schwarze Außenschicht abgenutzt ist und die gelbe Farbe sichtbar wird, sollte die Spirale bald ersetzt werden.

EN PROPERTIES

- Material high density polyethylene (HDPE)
- Resistant to acids, oil and solvents
- UV-tolerant
- Halogen free
- Tolerates both heat and frost
- Recyclable
- Hardness 64 (Shore D)
- Temperature range -55 °C to +100 °C
- Colours: black – yellow

DE EIGENSCHAFTEN

- Material Polyethylen mit hoher Dichte (HDPE)
- Säure-, Öl- und Lösungsmittelbeständig
- UV-beständig
- Halogenfrei
- Frost- und Hitzebeständig
- Recyclbar
- Härte 64 (Shore D)
- Temperaturbereich -55 °C bis +100 °C
- Farbe: schwarz - gelb

EN	OUTER DIAMETER	INNER DIAMETER	RECOMMENDED USAGE RANGE / HOSE OD	COIL LENGTH	WEIGHT
DE	AUSSEN Ø	INNEN Ø	ANWENDUNGSBEREICH / SCHLAUCH AD	ROLLEN-LÄNGE	GEWICHT
	mm	mm	mm	m	kg/m
	16	13.4	13 – 18	25	0.06
	20	16.0	16 – 22	25	0.11
	25	20.6	20 – 27	25	0.17
	32	27.0	27 – 36	25	0.23
	40	34.6	34 – 44	25	0.29
	50	43.2	43 – 55	25	0.41
	63	55.6	55 – 67	25	0.55
	75	66.2	66 – 80	20	0.88
	90	80.2	80 – 98	15	1.20
	110	99.0	99 – 115	10	1.61

Available in coils / Erhältlich in Rollen

Safe-Spiral ASTA



Safe-Spiral ASTA is a permanently antistatic spiral which is designed for explosive surroundings, like underground mines and other special environments that demand conductivity. Safe-Spiral ASTA conforms with the standard EN ISO 80079-36:2016 which is the ATEX -related standard for "Non-Electrical Equipment for Explosive Atmospheres".

Die Safe-Spirale ASTA ist eine doppelextrudierte, permanent antistatische Spirale, die für den Bergbau und andere spezielle Umgebungen, die Oberflächenleitfähigkeit erfordern (wie z.B. alle explosionsgefährdete Umgebungen) entwickelt wurde. Die Safe-Spirale ASTA erfüllt die Anforderungen der Norm EN ISO 80079-36:2016, was den ATEX-Norm von "Nicht-elektrische Geräte für den Einsatz in explosionsgefährdeten Bereichen" entspricht.

EN PROPERTIES

- Material high density polyethylene (HDPE) + conductive thermoplastic compound
- Antistatic
- Surface resistance $\leq 1 \text{ G}\Omega/\text{m}$ EN ISO 80079-36:2016
- UV-tolerant
- Halogen free
- Tolerates both heat and frost
- Recyclable
- Colours: black

DE EIGENSCHAFTEN

- Material Polyethylen mit hoher Dichte (HDPE) + leitendes Thermoplastisches Kombinat
- Antistatisch
- Oberflächenwiderstand $\leq 1 \text{ G}\Omega/\text{m}$ EN ISO 80079-36:2016
- Säure-, Öl- und Lösungsmittelbeständig
- UV-beständig
- Halogenfrei
- Frost- und Hitzebeständig
- Recyclbar
- Farbe: schwarz

EN	OUTER DIAMETER	INNER DIAMETER	RECOMMENDED USAGE RANGE / HOSE OD	COIL LENGTH	WEIGHT
DE	AUSSEN Ø	INNEN Ø	ANWENDBEREICH / SCHLAUCH AD	ROLLEN-LÄNGE	GEWICHT
	mm	mm	mm	m	kg/m
	20	16.0	16 – 22	25	0.11
	25	20.6	20 – 27	25	0.17
	32	27.0	27 – 36	25	0.23
	40	34.6	34 – 44	25	0.29
	50	43.2	43 – 55	25	0.41
	63	55.6	55 – 67	25	0.55
	75	66.2	66 – 80	20	0.88
	90	80.2	80 – 98	15	1.20
	110	99.0	99 – 115	10	1.61

Available only in coils / Erhältlich nur in Rollen

Safe-Spiral MINE+



Safe-Spiral MINE + is flame retardant and permanently antistatic ("FRAS"), making it best suitable for protection against mechanical abrasion of hydraulic hoses in underground mining machinery and mining appliances.

Flammbeständig und permanent antistatische Spirale ("FRAS"), wodurch es sich am besten für den Schutz vor mechanischem Abrieb in Untertage-Bergbaumaschinen eignet.

EN PROPERTIES

- Material HDPE based
- MSHA IC-271 accepted
- UL-94 V-0
- Colour: Brownish grey

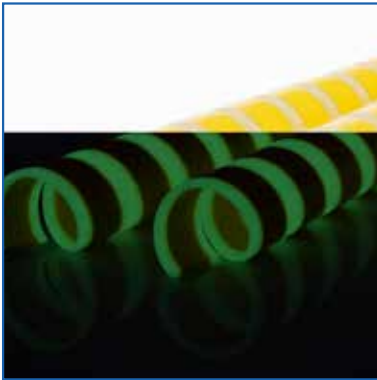
DE EIGENSCHAFTEN

- Material HDPE-basiert
- MSHA IC-271 Geprüft
- UL-94 V-0
- Farbe: Bräunlich-grau

EN	OUTER DIAMETER	INNER DIAMETER	RECOMMENDED USAGE RANGE / HOSE OD	COIL LENGTH	WEIGHT
DE	AUSSEN Ø	INNEN Ø	ANWENDUNGSBEREICH / SCHLAUCH AD	ROLLEN-LÄNGE	GEWICHT
	mm	mm	mm	m	kg/m
	16	13.4	13 – 18	25	0.06
	20	16.0	16 – 22	25	0.11
	25	20.6	20 – 27	25	0.17
	32	27.0	27 – 36	25	0.23
	40	34.6	34 – 44	25	0.29
	50	43.2	43 – 55	25	0.41
	63	55.6	55 – 67	25	0.55
	75	66.2	66 – 80	20	0.88
	90	80.2	80 – 98	15	1.20
	110	99.0	99 – 115	10	1.61

Available only in coils / Erhältlich in Rollen

Safe-Spiral GLOW



Hose protector that ensures safety of hoses, cables and other hydraulic equipment even in the low light conditions

Hochwertiger Kunststoffschlauchsenschutz zum Schutz und zur Bündelung von Schläuchen sogar im Dunkeln.

EN PROPERTIES

- Material high density polyethylene (HDPE) + photoluminescent compound
- Can be charged by any light source
- Glows for over 12 hours
- Contain no harmful materials
- UV -tolerant
- Halogen free
- Colour: Yellow with photoluminescent edges

DE EIGENSCHAFTEN

- Material Polyethylen mit hoher Dichte (HDPE) + photolumineszierende Verbindung
- Kann mit jeder Lichtquelle aufgeladen werden
- Leuchtet über 12 Stunden lang
- Enthält keine schädlichen Stoffe
- UV-beständig
- Halogenfrei
- Farbe: Gelb mit photolumineszierende Kanten

EN	OUTER DIAMETER	INNER DIAMETER	RECOMMENDED USAGE RANGE / HOSE DIAMETER	COIL LENGTH	WEIGHT
DE	AUSSEN Ø	INNEN Ø	ANWENDUNGSBEREICH / SCHLAUCH Ø	ROLLEN-LÄNGE	GEWICHT
	mm	mm	mm	m	kg/m
	20	16.0	16 – 22	25	0.11
	25	20.6	20 – 27	25	0.17
	32	27.0	27 – 36	25	0.23
	40	34.6	34 – 44	25	0.29
	50	43.2	43 – 55	25	0.41
	63	55.6	55 – 67	25	0.55
	75	66.2	66 – 80	20	0.88
	90	80.2	80 – 98	15	1.20
	110	99.0	99 – 115	10	1.61

Available in coils (MOQ 500 m) / Erhältlich in Rollen (MOQ 500 m)

Binding spirals / Bündelspiralen



Safeplast binding spirals are meant for bundling of electric cables and wires. With Safeplast binding spirals, cables and wires can be also protected against abrasion and shocks. They ease the handling and maintenance of electric cables.

Safeplast Bündelspiralen sind zum flexiblen Zusammenbinden von Elektrokabeln und -leitungen. Safeplast Bündelspiralen schützen gegen Stöße, Reibung und anderen Verschleiß. Sie auch erleichtern die Behandlung und Instandhaltung von Elektrokabeln.

EN PROPERTIES

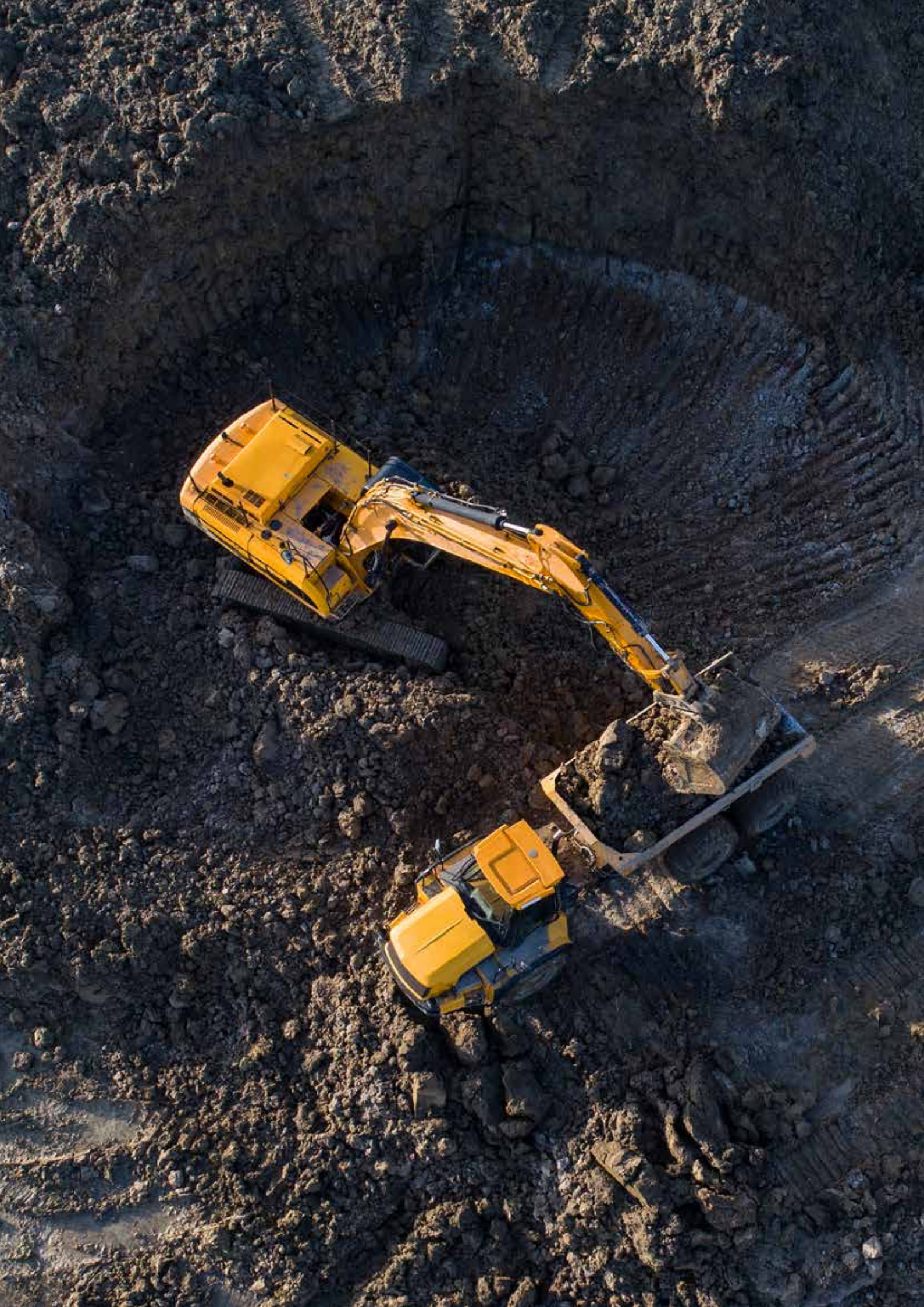
- Material polyethylene (PE)
- Resistant to acids, oil and solvents
- UV-tolerant
- Tolerates both heat and frost
- Recyclable
- Temperature range -30 °C to +80 °C
- Colour: black

DE EIGENSCHAFTEN

- Material Polyethylene (PE)
- Säure-, Öl- und Lösungsmittelbeständig
- UV-beständig
- Frost- und Hitzebeständig
- Recyclable
- Temperaturbereich -30°C - +80°C
- Farbe: schwarz

EN	OUTER DIAMETER	INNER DIAMETER	COIL LENGTH
DE	AUSSEN Ø	INNEN Ø	ROLLEN-LÄNGE
	mm	mm	m
	6	4	100
	8	6	50
	10	8	50
	12	10	50
	15	12,5	50
	18	15	50

Available only in coils / Erhältlich in Rollen





Safe-Sleeves

Textile hose protectors protect not only the hose but also people in case of a hose failure.

Textilschlauchsutz-Produkte schützen nicht nur den Schlauch, sondern im Fall eines Schlauchdefekts auch die Menschen.



Safe-Sleeve



Safe-Sleeve protects people near-by a breaking hose (is pin hole-approved). Safe-Sleeve is produced from polypropylene which is very hard-wearing.

Safe-Sleeve schützt Personen in der Nähe von einem brechenden Schlauch (Pin Hole-Geprüft). Safe-Sleeve ist aus verschleißfestem Polypropylen hergestellt.

EN PROPERTIES

- Material polypropylene (PP)
- UV -protected
- Resistant to acids, oil and solvents
- Pin-hole protection ISO 3457 and ISO 4413
- Abrasion resistance 50 000 cycles
- Temperature range -40°C - +80°C
- Colour: black

DE EIGENSCHAFTEN

- Material Polypropylen (PP)
- UV -geschützt
- Säure-, Öl- und Lösungsmittelbeständig
- Pin-hole Schutz ISO 3457 und ISO 4413
- Abriebfestigkeit 50 000 Zyklen
- Temperaturbereich -40°C - +80°C
- Farbe: schwarz

Available in 50 m rolls and pre-cut lengths / Erhältlich in 50 m Rollen und Fixlängen

EN	INNER DIAMETER	FLAT	ROLL LENGTH	WEIGHT
DE	INNEN Ø	FLACH	ROLLEN LÄNGE	GEWICHT
	mm	mm	mm	m
	17	30	50	0.03
	20	35	50	0.04
	23	40	50	0.04
	27	45	50	0.05
	30	50	50	0.05
	36	60	50	0.06
	39	65	50	0.07
	46	75	50	0.07
	55	90	50	0.09
	62	100	50	0.10
	78	125	50	0.12
	94	150	50	0.15
	109	175	50	0.17
	125	200	50	0.20

It is recommended to choose a size which is approximately 50 % larger than the hose to improve protection and make mounting easier. / Wir empfehlen eine Größe zu wählen, die ungefähr 50 % größer als der Schlauch ist, um den Schutz zu verbessern und die Montage zu erleichtern.

Safe-Sleeve MSHA



MSHA-accepted Safe-Sleeve is a textile hose protector which is produced from recyclable polyester. It is easy to install and its abrasion resistance is excellent.

MSHA-zugelassener Safe-Sleeve ist ein Textilschlauchschutz, der aus recycelbarem Polyester hergestellt wird. Es ist einfach zu installieren und die Abriebfestigkeit ist ausgezeichnet.

EN PROPERTIES

- Material polyester (PES)
- UV -tolerant
- Resistant to acids, oil and solvents
- MSHA acceptance IC-251
- Abrasion resistance >200 000 cycles
- Pin-hole protection ISO 3457 and ISO 4413
- Temperature range -50°C - +140°C
- Colour: black with white printing
- Other colours available on request

DE EIGENSCHAFTEN

- Material Polyester (PES)
- UV -beständig
- Säure-, Öl- und Lösungsmittelbeständig
- MSHA-Zulassung IC-251
- Abriebfestigkeit >200 000 Zyklen
- Pinhole Schutz ISO 3457 and ISO 4413
- Temperaturbereich -50°C - +140°C
- Farbe: schwarz mit weißem Aufdruck
andere Farben verfügbar auf Anfrage

Available in 50 m rolls and pre-cut lengths / Erhältlich in 50 m Rollen und Fixlängen

EN	INNER DIAMETER	FLAT	ROLL LENGTH	WEIGHT
DE	INNEN Ø	FLACH	ROLLEN LÄNGE	GEWICHT
	mm	mm	mm	m
	17	30	50	0.04
	20	35	50	0.05
	23	40	50	0.05
	27	45	50	0.06
	30	50	50	0.06
	33	55	50	0.07
	36	60	50	0.07
	39	65	50	0.08
	46	75	50	0.09
	55	90	50	0.11
	62	100	50	0.12
	68	110	50	0.13
	78	125	50	0.15
	85	135	50	0.18
	109	175	50	0.21
	125	200	50	0.24

It is recommended to choose a size which is approximately 50 % larger than the hose to improve protection and make mounting easier. / Wir empfehlen eine Größe zu wählen, die ungefähr 50 % größer als der Schlauch ist, um den Schutz zu verbessern und die Montage zu erleichtern.

Safe-Sleeve Nylon MSHA



Safe-Sleeve Nylon MSHA is made with an extremely durable and flexible nylon which provides protection against abrasion or degradation.

Safe-Sleeve Nylon MSHA besteht aus einem extrem haltbaren und flexiblen Nylon, das Schutz vor Abrieb und Verschlechterung bietet.

EN PROPERTIES

- Material nylon (PA)
- UV -tolerant
- Resistant to acids, oil and solvents
- MSHA acceptance IC-271/01
- Abrasion resistance >200 000 cycles
- Pin-hole protection ISO 3457 and ISO 4413
- Temperature range -40°C - +120°C
- Colour: black

DE EIGENSCHAFTEN

- Material Nylon (PA)
- UV -beständig
- Säure-, Öl- und Lösungsmittelbeständig
- MSHA-Zulassung IC-271/01
- Abriebfestigkeit >200 000 Zyklen
- Pin-hole protection ISO 3457 and ISO 4413
- Temperaturbereich -40°C - +120°C
- Farbe: schwarz

Available in 50 m rolls and pre-cut lengths / Erhältlich in Rollen und Fixlängen

EN	INNER DIAMETER	FLAT	ROLL LENGTH	WEIGHT
DE	INNEN Ø	FLACH	ROLLEN LÄNGE	GEWICHT
	mm	mm	mm	m
	17	30	50	0.03
	23	40	50	0.04
	27	45	50	0.05
	30	50	50	0.06
	36	60	50	0.06
	39	65	50	0.07
	46	70	50	0.08
	55	90	50	0.10
	62	100	50	0.12
	78	125	50	0.14
	109	175	50	0.18

It is recommended to choose a size which is approximately 50 % larger than the hose to improve protection and make mounting easier. / Wir empfehlen eine Größe zu wählen, die ungefähr 50 % größer als der Schlauch ist, um den Schutz zu verbessern und die Montage zu erleichtern.

Aluminium Ferrules



Sleeve Ferrules are used to securely seal in place the hose protection sleeve on the hose.

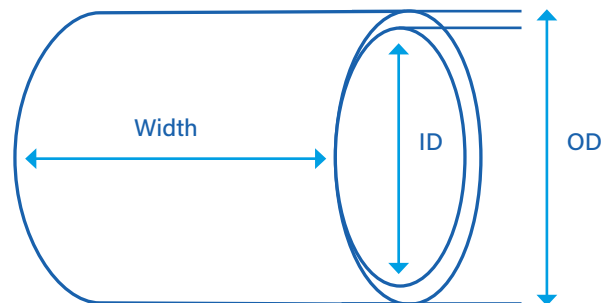
Aluminium Hülisen werden verwendet, um die Safe-Sleeve sicher am Schlauch zu befestigen.

EN PROPERTIES

- Material aluminium alloy

DE EIGENSCHAFTEN

- Material Aluminiumlegierungen



EN	OD MM	ID MM	WALL MM	WIDTH MM
DE	AD MM	ID MM	WAND MM	BREITE MM
	mm	mm	mm	m
	20	17	1.5	27
	25	22	1.5	27
	30	27	1.5	27
	35	32	1.5	27
	40	36	2.0	30
	45	41	2.0	30
	50	46	2.0	30
	55	51	2.0	30

Tolerance for ID ± 0.5 mm / Toleranz für ID $\pm 0,5$ mm



SAFE-SLEEVES



Safe-Wraps

The fast-wrapping textile solution which enables also after-installing and quick replacement of hose protection. Suits for single as well as bundle of hoses.

Die schnell umwickelnde Textillösung, die auch Nach-Installation und dem schnellen Austausch des Schlauchschutzes ermöglicht. Kann auf Einzelschläuchen und Schlauchbündeln verwendet werden.



Safe-Wrap



Safe-Wrap is produced from polyamide with polyurethane coating and velcro fasteners which make it very easy and fast to install on hose assemblies afterwards and repeatedly.

Die Safe-Wrap ist aus 100% Polyamid mit PU-Beschichtung hergestellt und hat einen velcro -Klettverschluss. Deshalb ist Safe-Wrap sehr einfach und schnell zu installieren, auch hinterher und mehrmalig.

EN PROPERTIES

- Material polyamide with polyurethane coating
- UV -protected
- Resistant to acids, oil and solvents
- Pin-hole protection ISO 3457 and ISO 4413
- Abrasion resistance >300 000 rounds
- Temperature range -20°C - +180°C
- Colour: black

DE EIGENSCHAFTEN

- Material Polyamid mit PU-Beschichtung
- UV -geschützt
- Säure-, Öl- und Lösungsmittelbeständig
- Pin-hole Schutz ISO 3457 und ISO 4413
- Abriebfestigkeit >300 000 Zyklen
- Temperaturbereich -20°C - +180°C
- Farbe: schwarz

EN	INNER DIAMETER	FLAT LENGTH	ROLL LENGTH	WEIGHT
DE	INNEN Ø	FLACH	ROLLEN LÄNGE	GEWICHT
	mm	mm	m	kg/m
	20	83	10 / 25	0.04
	40	155	10 / 25	0.07
	50	190	10 / 25	0.08
	60	220	10 / 25	0.10
	80	285	10 / 25	0.12
	100	345	10 / 25	0.14
	120	410	10 / 25	0.16
	150	500	10 / 25	0.22

Other diameters (Ø 20 mm to 400 mm, in 5 mm intervals) and other roll lengths up to 50 m and fixed lengths are offered on request. / Weitere Durchmesser (von ID 20 mm bis 400 mm in 5 mm Abständen) auf Anfrage möglich. Andere Rollenlängen bis 50 m und Fixlängen werden nach Bestellung gefertigt.

Tailor made wraps and customer printing available by request. / Massgeschneiderte Safe-Wrap und kundenspezifischer Druck sind auf Anfrage.

Safe-Wrap MSHA



Safe-Wrap MSHA is produced from flame retardant polyamide with polyurethane coating and velcro fasteners. Developed especially for mining appliances.

Safe-Wrap MSHA ist aus 100% Polyamid (flammbeständig) mit PU-Beschichtung hergestellt und hat einen velcro -Klettverschluss. Speziell für Bergbaugeräte entwickelt.

EN PROPERTIES

- Material flame retardant polyester with polyurethane coating
- UV -protected
- Resistant to acids, oil and solvents
- MSHA acceptance IC-271/02
- Pin-hole protection ISO 3457 and ISO 4413
- Temperature range -20°C - +120°C
- Colour: black with white printing

DE EIGENSCHAFTEN

- Material ist aus flammbeständiger Polyester mit PU-Beschichtung
- UV -beständig
- Säure-, Öl- und Lösungsmittelbeständig
- MSHA-Zulassung IC-271/02
- Pinhole Schutz ISO 3457 und ISO 4413
- Temperaturbereich -20°C - +120°C
- Farbe: schwarz mit weißem Aufdruck

EN	INNER DIAMETER	FLAT LENGTH	ROLL LENGTH	WEIGHT
DE	INNEN Ø	FLACH	ROLLEN LÄNGE	GEWICHT
	mm	mm	m	kg/m
	40	155	25	0.07
	60	220	25	0.10
	80	285	25	0.12
	100	345	25	0.14
	120	410	25	0.16

Safe-Wrap MSHA is available in diameters from 40 mm to 200 mm. Other roll lengths up to 50 m and fixed lengths are offered on request. / Weitere Durchmesser von ID 40 mm bis 200 mm auf Anfrage möglich. Andere Rollenlängen bis 50 m und Fixlängen werden nach Bestellung gefertigt.

Safe-Sleeve Wrap



SAFE-SLEEVE WRAP is produced from woven polyester with velcro fasteners. .

Safe-Sleeve Wrap wird aus gewebtem Polyester mit Klettverschluss hergestellt.

EN PROPERTIES

- Material polyester
- UV -protected
- resistant to acids, oil and solvents
- Pin-hole protection ISO 3457 and ISO 4413
- Abrasion resistance >200 000 cycles
- Temperature range -50°C - +140°C
- Colour: black

DE EIGENSCHAFTEN

- Material Polyester
- UV -geschützt
- Beständig gegen Säure, Öl, und Lösungsmittel
- Pin-hole Schutz ISO 3457 und ISO 4413
- Abriebfestigkeit >200 000 Zyklen
- Temperaturbereich -50°C - +140°C
- Farbe: schwarz

EN	INNER DIAMETER	FLAT LENGTH	LENGTH	WEIGHT
DE	INNEN Ø	FLACH	LÄNGE	GEWICHT
	mm	mm	m	kg/m
	40	155	10	0,12
	50	190	10	0,14
	60	215	10	0,15



Fire-Sleeves

Safe-Fire Sleeves are produced from woven insulated glass fiber braided sleeve that is heavily coated with 100% iron oxide silicone rubber. The Sleeve can withstand up to 1600°C ambient heat and 260°C of direct continuous heat which makes it perfect for insulating wires, hydraulic and fuel lines from under bonnet heat.

Die Safe-Fire Sleeve wird aus geflochtenen, isolierten Glasfaser hergestellt, die mit 100% Eisenoxid Silikonkautschuk beschichtet sind. Die Safe-Fire Sleeve kann bis zu 1600°C Umgebungswärme und 260°C direkter Wärme standhalten, was es perfekt für die Isolierung von Drähten, Hydraulikschläuchen und Kraftstoffleitungen vor Hitze macht.



Safe-Fire Sleeve



Safe-Fire sleeve is high-temperature resistant sleeve produced from high bulk braided glass fibre with a custom compounded silicone rubber coating.

Mit Safe-Fire Sleeve kann man verschiedene Kabel und Schläuche gegen hohe Temperaturen schützen. Safe-Fire Sleeve ist aus geflochtener Glasfaser mit Silikonbeschichtung produziert.

EN PROPERTIES

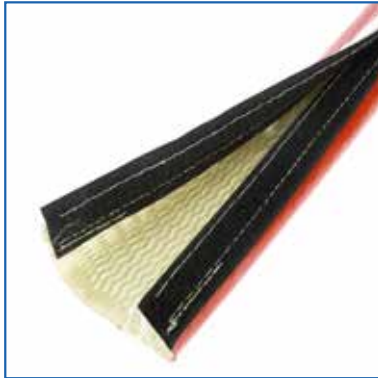
- Fiberglass with silicone coating
- Heat resistance
 - 260°C continuous
 - 1000 °C / 20 min
 - 1600 °C / 30 sec
- Colour: red

DE EIGENSCHAFTEN

- Geflochtener Glasfaser mit Silikonbeschichtung
- Hitzebeständigkeit
 - 260°C kontinuierlich
 - 1 000 °C / 20 min
 - 1 600 °C / 30 s
- Farbe: rot

EN	INNER DIAMETER	ROLL LENGTH	WEIGHT
DE	INNEN Ø	ROLLEN LÄNGE	GEWICHT
	mm	m	kg/m
	10	20	0.11
	15	20	0.17
	20	20	0.26
	25	20	0.31
	30	20	0.42
	35	20	0.54
	40	20	0.62
	45	15	0.64
	50	15	0.73
	55	15	0.88
	60	15	1.32
	65	15	1.40
	70	10	1.12
	75	10	1.24

Safe-Fire Wrap



Safe-Fire wrap is high-temperature resistant sleeve produced from high bulk braided glass fiber with a custom compounded silicone rubber coating. It has velcro hook-and-loop fasteners which make it very easy and fast to install on hose assemblies afterwards and repeatedly.

Safe-Fire Wrap ist hochtemperaturbeständiger Schlauchschutz mit Klettverschlüssen aus geflochtener Glasfaser mit einer speziell zusammengesetzten Silikonkautschukbeschichtung. Zu verwenden, wenn Schläuche, Kabel und Drähte sehr hohen Temperaturen ausgesetzt sein können. Sehr einfach nach und wiederholt auf Schlauchbaugruppen zu installieren.

EN PROPERTIES

- Fiberglass with silicone coating and velcro fasteners
- Heat resistance
 - 260°C continuous
 - 1 000 °C / 20 min
 - 1 600 °C / 30 sec
- Colour: red

DE EIGENSCHAFTEN

- Geflochtener Glasfaser mit Silikonbeschichtung und Velcro Klettverschluss
- Hitzebeständigkeit
 - 260°C kontinuierlich
 - 1 000 °C / 20 min
 - 1 600 °C / 30 s
- Farbe: rot

EN	INNER DIAMETER	ROLL LENGTH	WEIGHT
DE	INNEN Ø	ROLLEN LÄNGE	GEWICHT
	mm	m	kg/m
	10	20	0.28
	15	20	0.33
	20	20	0.34
	25	20	0.39
	30	20	0.50
	35	20	0.60
	40	20	0.68
	45	15	0.75
	50	15	0.83
	75	15	1.37

Safe-Fire Tape



Safe-Fire tape is made of 100 % silicone rubber with heat resistance +260° C in continuous exposure. It is meant to seal the ends of fire sleeve and is available in 3 m rolls.

Safe-Fire Klebeband (besteht aus 100 % Silikongummi mit einer Hitzebeständigkeit von +260°C bei kontinuierlicher Einwirkung. Es dient zum Verschließen der Enden der Safe-Fire Sleeve und ist in 3 m Rollen erhältlich.





Safe-Strips

Make the handling of your hydraulic hoses or electric cables easier and safer with our Safe-Strip bundling straps.

Mit unseren Safe-Strip-Bündelungsriemen erleichtern Sie die Behandlung Ihrer Hydraulikschläuche und Elektrokabel.



Safe-Strap



Safe-Straps can be used for many kinds of purposes, for example for bundling of hydraulic hoses or electrical cables together.

Safe-Straps mit Einstell-Löchern, die für Bündelung von Hydraulikschläuchen und elektronischen Kabeln und Leitungen entwickelt sind.

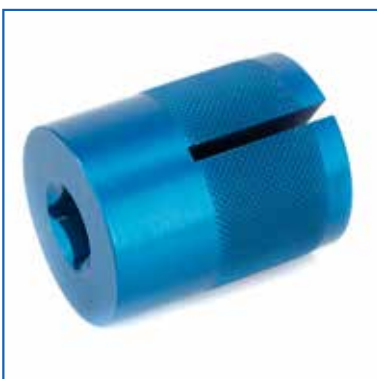
EN PROPERTIES

- Material polyester (PES) with spike buckle
- UV -protected
- Resistant to acids, oil and solvents
- Colour: black

DE EIGENSCHAFTEN

- Material Polyester (PES) mit Stift Schnalle
- UV -geschützt
- Säure-, Öl- und Lösungsmittelbeständig
- Farbe: schwarz

EN	LENGTH	WIDTH	THICKNESS	SALES UNIT
DE	LÄNGE	BREITE	STÄRKE	VERPACKUNGSEINHEIT
	mm	mm	mm	pcs / St.
	250	9	1.4	100
	400	20	1.8	50
	600	20	1.8	50
	800	20	1.8	50
	850	23	2.5	50



SAFE-BTT

There is also a tool (SAFE-BTT) available to help tighten the straps, operable by a ratchet.

Um die Riemen zu spannen, haben wir auch ein Werkzeug zur Verfügung. Das Werkzeug wird mit einer Ratsche angewendet.

Safe-Strip with velcro fasteners / mit Klettverschluss



Safe-Strip bundling straps are convenient for multi-hose bundles. All of these Safe-Strips are possible to have with the customer name, logo and / or colour. Minimum order quantities apply.

Alle Safe-Strips sind mit dem blauen Text "Safe-Strip" eingewoben, aber die sind auch möglich mit Kundennamen, Logo oder Farbe zu bestellen. Mindestbestellmengen werden angewendet.

EN PROPERTIES

- Material polypropylene with velcro fasteners and stainless steel loop.
- Mounting eyelet optional
- Band width 40 mm
- UV -protected
- Resistant to acids, oil and solvents
- Available also in flame retardant polyester
- Colour: black with blue text (available also only in black)

DE EIGENSCHAFTEN

- Material Polypropylene mit velcro -Klettverschluss und Edelstahl-Schleufe
- Mit oder ohne Montageöse
- Bandbreite 40 mm
- UV-geschützt
- Säure-, Öl- und Lösungsmittelbeständig
- Erhältlich auch in flammbeständig Polyester
- Farbe: schwarz mit blauer Text (auch in schwarz erhältlich)

EN	MAX BUNDLE DIAMETER	WITHOUT EYELET STRIP LENGTH	WITH MOUNTING EYELET STRIP LENGTH	SALES UNIT
DE	BÜNDEL MAX.	OHNE ÖSE LÄNGE	MIT MONTAGEÖSE LÄNGE	VERPACKUNGSEINHEIT
	mm	mm	mm	pcs / St.
	70	310	340	10
	100	435	455	10
	125	505	540	10
	155	605	660	10
	180	680	765	10

Safe-Strip with buckle / mit Schnalle



When you handle long and/or heavy hoses, you should always fasten them together with Safe-Strip to make the handling easier and safer.

Bei der Handhabung von langen und/oder schweren Schläuchen sollten Sie die immer mit Safe-Strip zusammen befestigen, um es einfacher und sicherer zu machen.

EN PROPERTIES

- Material polypropylene with quick-release buckle (available also in polyester)
- Band width 25 mm
- UV -protected
- Flame retardant available
- Resistant to acids, oil and solvents
- Colour: black with blue text

DE EIGENSCHAFTEN

- Material Polypropylene mit einer Schnellverschluss-Schnalle (auch in Polyester erhältlich)
- Bandbreite 25 mm
- UV-geschützt
- Flammbeständig auf Anfrage
- Säure-, Öl- und Lösungsmittelbeständig
- Farbe: schwarz mit blauer Text

EN	LENGTH	SALES UNIT
DE	LÄNGE	VERPACKUNGSEINHEIT
	mm	pcs / St.
	500	25
	1000	25
	1500	25



Accessories

Safeplast offers mounting tools for easier installation and safety products for hoses.

Safeplast bietet Sicherheitsprodukte für Schläuche und Montagewerkzeuge für eine einfachere Installation.



Safe-Bundler



The Safe-Bundler tool opens the spiral to be moved forward by an electric drill. The spiral mounting with Safe-Bundler is very fast and ergonomic.

Das Werkzeug öffnet die zu montierende Spirale mithilfe einer Bohrmaschine. Es kann bei beschränkten Platzverhältnissen verwendet werden, da es keinen großen Arbeitsraum erfordert. Es ist nicht nur schnell und einfach zu verwenden, sondern auch ergonomisch und verringert die physische Belastung der Handgelenke des Bedieners.

EN TWO TOOL SIZES AVAILABLE

- Small OD 32 – 40 mm
- Large OD 50 – 140 mm

DE IN ZWEI GRÖSSEN ERHÄLTlich

- Klein für Spiralen mit AD 32 – 40 mm
- Groß für Spiralen mit AD 50 – 140 mm

Safe-Tool



Safe-Tool is designed for smaller volume of mounting work, because it is operated by hand. Using the tool makes the rolling lighter, as it opens the spiral for you.

Das Safe-Tool ist für einen geringeren Umfang von Montagearbeiten vorgesehen, da es von Hand betrieben wird. Das Werkzeug öffnet die Spirale, um das Wickeln zu erleichtern.

EN HAKOP / HAKOI

- HAKOP – smaller tool for spirals OD 20 – 50 mm
- HAKOI – larger tool for spirals OD 63 – 140 mm

DE HAKOP / HAKOI

- HAKOP – kleines Werkzeug für Spiralen AD 20 – 50 mm
- HAKOI – großes Werkzeug für Spiralen AD 63 – 140 mm

Safe-Stopper

Safe-Stopper is a product meant to stop Whip Lash -effect when a hose gets detached. This hose restraint keeps the hose from harming the person working in proximity of the hose.

Textile material is gentle the hoses, because it is light and soft. The assembly is easy and quick and does not require any tools.

Safe-Stopper can be used for all low-pressure hydraulic hoses up to 500 bar. Maximum operating pressure depends on the hose size.

“Safe-Stopper” gibt Schutz gegen Peitschenhiebe, falls ein Schlauch sich unerwartet löst. Diese Fangschutzeinrichtung hilft Verletzungen der Personen, die in der Nähe des Schlauches arbeiten, zu vermeiden.

Textilmaterial ist leicht und weich und damit schonend für die Schläuche. Montage ist einfach und schnell und kein Werkzeug ist benötigt.

“Safe-Stopper” kann mit Niederdruckschläuchen bis 500 bar verwendet werden. Der maximale Betriebsdruck hängt von der Größe des Schlauches ab.



There are two models available / Wir haben zwei Varianten erhältlich:

1. Bolt fix / Bolzenfixierung “SA-STBF”
2. Double loop / Doppelschlaufe “SA-STDL”

EN PROPERTIES

- Material polyester (PES)
- Resistant to acids, oil and solvents
- Sales unit 10 pcs / model

DE EIGENSCHAFTEN

- Material Polyester (PES)
- Säure-, Öl- und Lösungsmittelbeständig
- VE 50 St. / Modell

EN	PRODUCT CODE		EN
DE	ARTIKELNUMMER		RECOMMENDED USAGE RANGE HOSE DIAMETER IN INCH
EN	BOLT FIX	DOUBLE LOOP	DE
DE	BOLZENFIXIERUNG	DOPPELSCHLAUFE	
	SA-STBF60	SA-STDL90	1/4" – 3/4"
	SA-STBF95	SA-STDL140	3/4" – 1 1/2"
	SA-STBF125	SA-STDL185	1 1/2" – 2"

Safe-Tether



Safe-Tether protects spiral hose guards against stretching. It reduces the load of hose assemblies. Safe-Tether is produced from flame retardant polyester. It is very easy and fast to install.

Safe-Tether ist ein Haltegurt, der Schlauchschutzspiralen von Ausdehnung schützt. Er reduziert die Belastung der Schlauchbündeln. Safe-Tether wird aus flammhemmendem Polyester hergestellt. Die Installation ist sehr einfach und schnell.

EN PROPERTIES

- Material polyester (PES)
- Flame retardant
- Abrasion resistance >200 000 rubs
- resistant to acids, oil and solvents
- Temperature range -40 °C to +120 °C
- Colour: black with white printing

DE EIGENSCHAFTEN

- Material Polyester (PES)
- Flammbeständig
- Abriebfestigkeit >200 000 Zyklen
- Säure-, Öl- und Lösungsmittelbeständig
- Temperaturbereich -40°C - +120°C
- Farbe: schwarz mit weißem Aufdruck

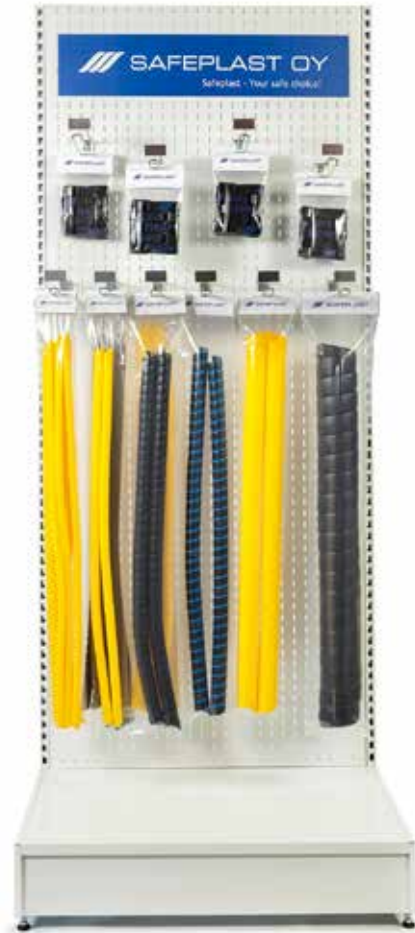
EN	LENGTH	WIDTH	SALES UNIT
DE	LÄNGE	BREITE	PACKUNGS-GROSSE
	mm	mm	pcs / St.
	680	50	10

Other lengths are offered on request. / Andere Längen verfügbar auf Anfrage.

Standard packages / Standardverpackungen

PRE-CUT LENGTHS / FIXLÄNGEN

EN	PIECES UP TO 1.2 M	
DE	STÜCKE BIS 1,2 M	
EN	DIAMETER	PCS / PACKAGE
DE	DURCHMESSER	VERPACKUNGSEINHEIT (ST.)
	20 mm	50 pcs
	25 mm	50 pcs
	32 mm	50 pcs
	40 mm	25 pcs
	50 mm	25 pcs
	63 mm	25 pcs
	75 mm	10 pcs
	90 mm	10 pcs
	110 mm	10 pcs
	140 mm	5 pcs



EN	6 M PIECES		
DE	6 M STÜCKE		
EN	DIAMETER	PIECES	PACKAGE
DE	DURCHMESSER	STÜCKE	VERPACKUNG
	20 mm	4 pcs 25 pcs	40 x 40 x 17 cm 80 x 60 x 28 cm
	25 mm	4 pcs 25 pcs	40 x 60 x 17 cm 80 x 60 x 43 cm
	32 mm	4 pcs 10 pcs	40 x 60 x 25 cm 80 x 60 x 28 cm
	50 mm	10 pcs	80 x 60 x 43 cm

COILS / ROLLEN

EN	DIAMETER	LENGTH	PACKAGE
DE	DURCHMESSER	LÄNGE	VERPACKUNG
	12 mm	25 m	40 x 40 x 10 cm
	16 mm	25 m	40 x 40 x 10 cm
	20 mm	25 m	40 x 40 x 17 cm
	25 mm	25 m	60 x 40 x 17 cm
	25 mm	50 m	60 x 40 x 25 cm
	32 mm	25 m	60 x 40 x 25 cm
	32 mm	50 m	60 x 40 x 38 cm
	40 mm	25 m	60 x 40 x 38 cm
	50 mm	25 m	80 x 60 x 28 cm
	50 mm	50 m	80 x 60 x 43 cm
	63 mm	25 m	80 x 60 x 43 cm
	75 mm	20 m	80 x 60 x 43 cm
	90 mm	15 m	80 x 60 x 43 cm
	110 mm	10 m	80 x 60 x 43 cm
	125 mm	8 m	80 x 60 x 43 cm
	140 mm	6 m	80 x 60 x 43 cm



Customized solutions

Safe-Spirals and Safe-textiles with your brand

Kundenspezifische Lösungen

Safe-Spiralen und Safe-Textilien mit Ihrem Brandzeichen



You can customize spirals, sleeves, wraps and strips with your own brand or logo.

Kundenspezifische Spiralen, Sleeves, Wraps und Bündelungsriemen mit Ihrem Brandzeichen oder Logo erhältlich



Pre-cuts / Zuschnitte

You can order tailor made sleeves and pre-cut spirals. Save your time and order customized lengths to your use.

Die Sleeves und Spiralen sind in kundenspezifischen Längen erhältlich. Sparen Sie Zeit und Mühe und bestellen Sie richtige Längen für Ihre Bedarf



Shop packages / Verpackungen für Einzelhandel

Design your own shop packages for spirals and stripes with your own brand or logo.

Erstellen Sie Ihre eigene Verpackung für Spiralen und Bündelungsriemen mit Ihrem Brandzeichen oder Logo





SAFEPLAST
A CAPPLUGS COMPANY

Safeplast Oy

Teerivuorenkatu 5 – 7
33300 Tampere
Finland

sales@safeplast.fi
www.safeplast.fi



Catalogue

KIBA

CAPPLUGS EU

POLYKAP

SAFEPLAST

EUROPE _____

**The Leader in Plastic
Protection Since 1948**



intelligent solutions

■ Made
■ in
■ Germany

KUNSTSTOFF-VERSCHLUSSELEMENTE PLASTIC PROTECTION PARTS



Kirsebauer



intelligent solutions

STANDARD VERSCHLUSSELEMENTE
STANDARD PROTECTION PARTS

SONDERFORMEN
SPECIAL SHAPES

INTELLIGENTE LÖSUNGEN

Die Marke KIBA steht für höchste Qualität, von der Beratung bis zum fertigen Produkt. Das inhabergeführte Unternehmen hat sich auf die Entwicklung, Konstruktion und Fertigung von Kunststoff-Verschlusselementen mit einem Durchmesser bis zu 150 mm spezialisiert.

...

Die Produkt- und Leistungspalette orientiert sich an den Anforderungen anspruchsvoller internationaler Kunden. Das Nutzen von Synergien, Kompetenzen, bestehenden Verbundwerkzeugen und mehr als 50 Jahre Erfahrung bieten die Basis für intelligente Lösungen.

>> KIBA ist nach IATF 16949 und ISO 14001 zertifiziert und erfüllt die hohen Qualitätsstandards weltweiter Kunden. Höchste Flexibilität, Schnelligkeit, Zuverlässigkeit und Kompetenz spielen eine elementare Rolle. Lernen Sie das außergewöhnliche Leistungsportfolio kennen. Sie werden begeistert sein.

INTELLIGENT SOLUTIONS

KIBA stands for highest quality – from technical consulting to the finished product. The owner-managed company is specialised in developing, engineering and manufacturing plastic protection parts with a diameter up to 150 Milimetres.

...

The product and service range aligns with the requirements of demanding international customers. The use of synergies, competencies, consisting composite tools and more than 50 years of experience form the basis for intelligent solutions.

>> Certified according to IATF 16949 and ISO 14001, KIBA meets the highest quality standards of customers all over the world. Maximum flexibility, promptness, reliability and competency play a vital role. Become acquainted with the exceptional service range. You will be inspired!

INDIVIDUELLE FARBEN UND MATERIALIEN
INDIVIDUAL COLOURS AND MATERIALS

BASIS MATERIAL
BASIC MATERIAL

INHALT

Auf den folgenden Seiten finden Sie alle Informationen zum KIBA Produkt- und Leistungsportfolio. Rufen Sie an, wenn Sie Ihr Verschlusselement nicht finden sollten. Wir beraten Sie gerne.

CONTENT

On the following pages you will find information on KIBA's product and service range. Should your protection part not be listed, please do not hesitate to call us. We will be happy to advise you.

INHALT CONTENT	SEITE PAGE
FAKTEN FACTS	4
APPLIKATIONEN APPLICATIONS	9
TECHNISCHE HINWEISE TECHNICAL DETAILS	10
HUTSTOPFEN TOP-HAT STOPPERS	13
TELLERSTOPFEN DISH STOPPERS	19
SCHUTZKAPPEN PROTECTIVE CAPS	25
RÄNDELKAPPEN KNURLED CAPS	31
SECHSKANTKAPPEN HEXAGON CAPS	37
MEHRZWECKSTOPFEN MULTI-PURPOSE STOPPERS	41
LASCHENSTOPFEN LUG STOPPERS	45
SCHRAUBSTOPFEN SCREW STOPPERS	51
GRIFFKAPPEN GRIP CAPS	59
SONDERVERSCHLÜSSE SPECIAL CLOSURES	63



FAKTEN | FACTS

50 JAHRE KUNSTSTOFFKOMPETENZ

Seit mehr als 50 Jahren werden bei KIBA Kunststoff-Verschlusselemente entwickelt, gefertigt und vertrieben, ausschließlich am Standort Lüdenscheid und mit einem hohen Maß an Beratungskompetenz in den Bereichen Materialauswahl, Fertigungstechnologien, Funktionalität und Machbarkeit.

TECHNIK AUF HÖCHSTEM NIVEAU

Kontinuierliche Investitionen in modernste Maschinentechologie, in Verbindung mit höchster Energieeffizienz, sind für KIBA selbstverständlich.

...

Vollautomatische Anlagen sind nicht nur ein Garant für gleichbleibende Qualität, sondern auch ein wirtschaftlicher Vorteil, der es zum einen ermöglicht, die Tradition, in Deutschland zu fertigen, aufrecht zu erhalten, und zum anderen preisliche Vorteile für Kunden garantiert. KIBA arbeitet konsequent an einer Prozesskostenreduzierung.

50 YEARS OF EXPERTISE IN PLASTICS

With a high level of advisory expertise in the fields of material selection, manufacturing technologies, functionality and feasibility KIBA develops, manufactures and distributes plastic protection parts for more than 50 years at its site in Lüdenscheid, Germany.

TECHNIK AUF HÖCHSTEM NIVEAU

Continuous investment in cutting-edge machine technology, coupled with the highest levels of energy efficiency, is a matter of course for KIBA.

...

Fully automated systems not only serve to guarantee consistent quality, but also present an economic advantage that enables us to remain faithful to our tradition of manufacturing in Germany, whilst also offering pricing benefits to our customers. With our customers in mind, we are firmly dedicated to reducing process costs.



ZEICHNUNGSTEILE SCHNELL UND GÜNSTIG

Zeichnungsteile werden auf Grund von Modularwerkzeugen ausgesprochen kostengünstig entwickelt und gefertigt. Der maximale Durchmesser beträgt dabei 150 mm.

...

Die Materialauswahl ist umfangreich: Polyethylen, Polypropylen, Polyamid, EVA, TPE, Polystyrol oder Sonstige, sprechen Sie mit KIBA und lassen Sie sich von der Leistungsfähigkeit und Vielfältigkeit überzeugen.

...

Eingehende Daten können als Zeichnung oder Datensatz bearbeitet werden.

...

Prototypen liefern wir kurzfristig.

...

In der gesamten Projektabwicklung ist es KIBA wichtig, die wirtschaftlich beste Lösung für seine Kunden umzusetzen.

DRAWING PARTS – PROMPTLY AND REASONABLY PRICED

Due to utilising modular tools, we are able to develop and produce drawing parts exceptionally cost-effective. The maximum diameter is 150 Millimetres.

...

There is a wide material selection: polyethylene, polypropylene, polyamide, EVA, TPE, polystyrene and others.

...

Please contact KIBA and convince yourself of our performance and versatility. Incoming data can be processed as drawing or data set.

...

Prototypes are delivered shortly.

...

Throughout the entire project execution, KIBA places utmost importance on implementing the most cost-effective solution for its customers.



LAGER / PRODUKTION | LAGER / PRODUKTION

40 MILLIONEN TEILE AB LAGER LIEFERBAR

Ganz egal, welches Verschlusselement Sie benötigen, KIBA verfügt über eine Lagerkapazität von mehr als 40 Millionen Teilen. Anfang 2014 wurde ein neues Hochregallager mit 1.000 Paletten-Stellplätzen in Betrieb genommen.

...

Hutstopfen, Tellerstopfen, Schutzkappen, Rändelkappen, Mehrzweckstopfen, Laschenstopfen oder Schraubstopfen: innerhalb von 24 Stunden erhalten Sie Ihr benötigtes Verschlusselement.

...

Abrufe per EDI können mit den modernsten ERP-Systemen (SAP) verarbeitet werden.

...

Der KIBA Produktassistent hilft Ihnen bei der Suche:

>> www.kiba.de

40 MILLION PARTS AVAILABLE EX STOCK

Whichever protection part you need, KIBA has a storage capacity of more than 40 million parts. **A new high-bay warehouse with 1,000 pallet spaces has been in operation since the beginning of 2014.**

...

Top-hat stoppers, dish stoppers, protection caps, knurled caps, multi purpose plugs, lug stoppers or screw stoppers: You will receive the required protection part within 24 hours.

...

Call-offs made via EDI can be processed using state-of-the-art ERP systems (SAP).

...

The KIBA product assistant will help you to find your product:

>> www.kiba.de



24 STUNDEN LIEFERSERVICE

KIBA liefert deutschlandweit ab Lager und innerhalb von nur 24 Stunden Kunststoff-Verschlusselemente in unzähligen Abmessungen und für unterschiedlichste Anwendungen. Lagerprodukte stehen in der Regel in den Standardfarben, gefertigt aus Polyethylen, zur Verfügung.

...

Nutzen Sie unsere Online-Produktübersicht oder den informativen KIBA Katalog, den wir Ihnen gerne zusenden.

VERPACKUNGEN NACH WUNSCH

Wie lösungsorientiert bei KIBA gedacht und gehandelt wird, zeigt sich auch bei den unzähligen Verpackungsmöglichkeiten. Standardmäßig werden alle Produkte in Polybeuteln verpackt. Modernste Verpackungssysteme eröffnen ein hohes Maß an Flexibilität und bieten individuelle Verpackungslösungen nach Kundenwunsch.

24-HOUR-DELIVERY-SERVICE

Within Germany KIBA delivers plastic protection parts in countless sizes and for various applications ex stock and within 24 hours. Stock products are made from polyethylene and are usually available in the standard colours.

...

Take advantage of our online product overview or the KIBA catalogue, which we will gladly send to you.

INDIVIDUAL PACKAGING

The uncountable packaging possibilities show how solution-oriented people at KIBA think and act. As a standard all products are packed in polybags. Latest packaging systems offer a high level of flexibility and individual packaging solutions according to customer requirements.



FAKTEN | FACTS

INDIVIDUELLE FARBEN UND MATERIALIEN IN NUR 2 WOCHEN

Immer dann, wenn Ihre Verschlusselemente aus speziellen Materialien wie Polyethylen, Polypropylen, Polyamid, EVA, TPE oder Polystyrol gefertigt werden sollen und Sonderfarben wie rot, blau, grün, gelb oder schwarz gewünscht sind, zeigt sich die typische KIBA-Flexibilität.

...

Denn innerhalb von nur 2 Wochen nach Bestellung erhalten Sie Ihre ganz individuellen Kunststoff-Verschlusselemente: höchste Qualität inklusive!

...

Sprechen Sie mit KIBA und freuen Sie sich auf intelligente Lösungen!

INDIVIDUAL COLOURS AND MATERIALS WITHIN ONLY TWO WEEKS

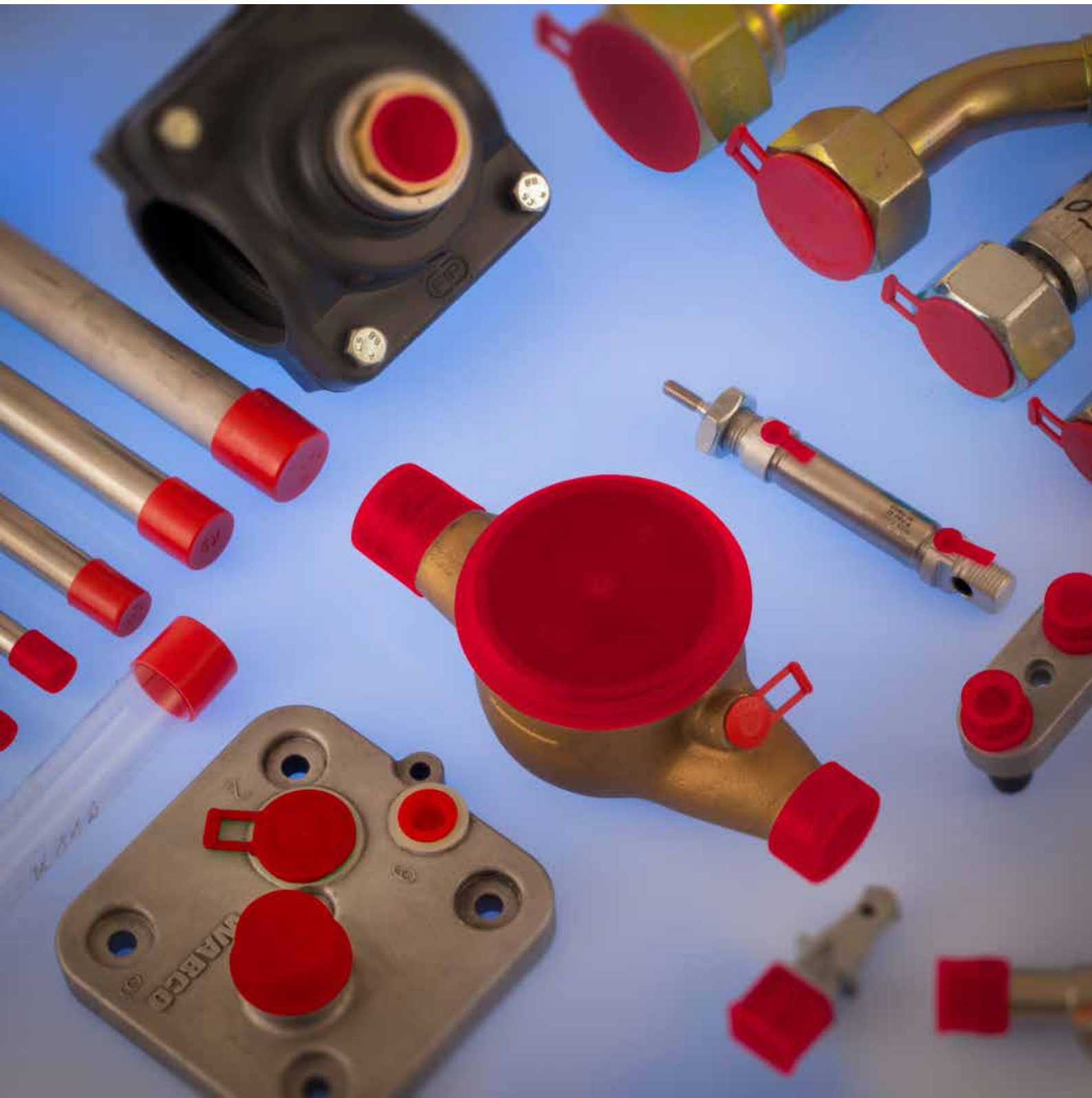
Whenever your protection parts shall be produced from special materials, such as polyethylene, polypropylene, polyamide, EVA, TPE or polystyrene and are required in special colours, such as red, blue, green, yellow or black, KIBA demonstrates its typical flexibility.

...

Within only two weeks after receiving the order you will get your individual protection parts – including best quality!

...

Contact KIBA and look forward to intelligent solutions!



APPLIKATIONEN

Die Marke KIBA steht für höchste Qualität, von der Beratung bis zum fertigen Produkt. Das inhabergeführte Unternehmen hat sich auf die Entwicklung, Konstruktion und Fertigung von Kunststoff-Verschlusselementen mit einem Durchmesser bis zu 150 mm spezialisiert.

APPLICATIONS

KIBA stands for highest quality – from technical consulting to the finished product. The owner-managed company is specialised in developing, engineering and manufacturing plastic protection parts with a diameter up to 150 Millimetres.

WERKSTOFFE

MATERIALS

Kurzzeichen Abbr.	Bezeichnung Name	mechanische Eigenschaften mechanical Properties	Temperaturbeständigkeit in °C Heat Resistance in °C		
			min. min.	kurzfristig max. short-term max.	dauernd max. permanent max.
PE-LD	Polyethylen, Low Density	weich und elastisch soft and elastic	-40	80	60
PE-LLD	Polyethylen, Linear Low Density	weich und elastisch soft and elastic	-40	90	70
PE-HD	Polyethylen, High Density	hart und elastisch hard and elastic	-40	100	80
EVA	Ethylen Vinylacetat	sehr weich und elastisch very soft and elastic	-50	65	55
PP	Polypropylen	hart und steif hard and rigid	-20	140	100
PS	Polystyrol	hart und spröde hard and brittle	-10	80	70
PA 6	Polyamid 6	hart und zäh hard and tough	-20	150	120
PA 6.6	Polyamid 6.6	hart und zäh hard and tough	-20	180	120
TPE	thermopl. Elastomer thermopl. elastomer	weich und elastisch soft and elastic	-40	145	125

Kiba-Verschlusselemente aus Kunststoff werden vorwiegend aus Polyethylen, Polypropylen und Polyamid hergestellt. Diese Kohlenwasserstoff-Verbindungen sind wiederverwendbar.

Kiba plastic closures are predominantly made of polyethylene, polypropylene and polyamide, all of which are recyclable hydrocarbons.

Bei thermischer Verwertung in zugelassenen Anlagen entsteht:

- bei Polyethylen: Wasser (H₂O) und Kohlendioxyd (CO₂)
- bei Polypropylen: Wasser (H₂O), Kohlendioxyd (CO₂) und Kohlenmonoxyd (CO)
- bei Polyamid: Wasser (H₂O), Kohlendioxyd (CO₂), Kohlenmonoxyd (CO) und Stickstoff (N)

Thermal recycling of these compounds in approved plants produces the following substances:

- water (H₂O) and carbon dioxide (CO₂) in the case of polyethylene,
- water (H₂O), carbon dioxide (CO₂) and carbon monoxide (CO) in the case of polypropylene as well as
- water (H₂O), carbon dioxide (CO₂), carbon monoxide (CO) and nitrogen (N) in the case of polyamide.

CHEMISCHE BESTÄNDIGKEIT

CHEMICAL RESISTANCE

Kurzzeichen Abbr.	Säuren Acids			Laugen Lyes			Lösungsmittel Solvents												Fette, Öle Fats, Oils			
	Wasser, kalt Water, cold	schwach weak	stark strong	Fluorwasserstoff Hydrofluoric Acid	schwach weak	stark strong	anorganische Salze Inorganic Salts	Halogene Halogens	oxydische Verbind. oxidic Compounds	Paraffin Kohlenwasserstoff Paraffin Hydrocarbons	Halogene-Alkane Halogen Alkanes	Alkohole Alcohols	Äther Ether	Ester Esters	Ketone Ketone	Aldehyde Aldehydes	Amine Amino	organische Säuren organic Acids	aromatische Verbindungen aromatic Compounds	Kraftstoffe Fuels	Mineralöl Mineral Oils	Fette, Öle Fats, Oils
PE-LD	●●	●●	●●	○	●●	●●	●●	○	○	●○	○	●●	●○	●	●	●	●●	●●	●	●	●	●
PE-LLD	●●	●●	●●	○	●●	●●	●●	○	○	○	○	●○	○	●○	●○	○	○	○	○	○	○	●
PE-HD	●●	●●	●●	○	●●	●●	●●	○	○	●○	○	●	●○	●●	●●	○	○	○	○	○	○	●●
EVA	●●	●●	●○	○	●●	●●	●●	○	○	●○	○	●	●○	○	○	●●	●	○	○	○	○	○
PP	●●	●●	●	○	●●	●●	●●	○	○	●	○	●●	●○	●	●	●●	●	○	○	○	○	●●
PS	●●	●●	●	○	●	●●	●●	○	○	○	○	●●	●○	○	○	○	●●	●	○	○	○	●●
PA 6	●●	○	○	○	●	●●	●●	○	○	●	●	●●	●●	●●	●	●●	●	○	○	○	○	●●
PA 6.6	●●	○	○	○	●	●●	●●	○	○	●	●	●●	●●	●●	●	●●	●	○	○	○	○	●●
TPE	●●	●●	●●	●●	●●	●●	●●	○	○	●	○	●●	●●	●●	●●	●●	●●	●●	○	○	○	○

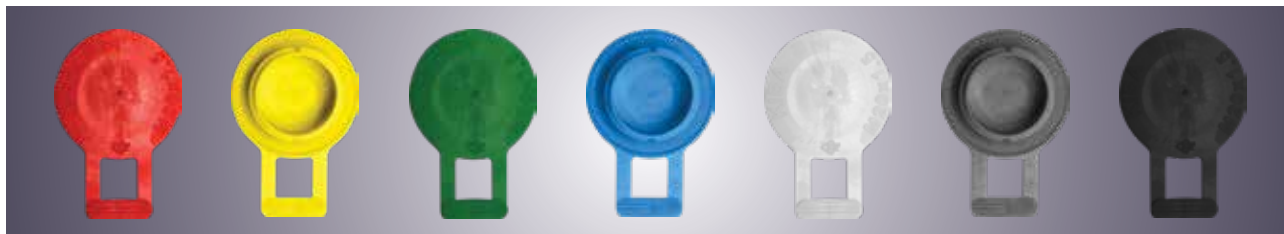
- beständig
- bedingt beständig
- bedingt beständig bis unbeständig
- unbeständig

- resistant
- semi-resistant
- semi- to non-resistant
- non-resistant

FARBEN, TOLERANZEN, | COLOURS, TOLERANCES

FARBEN

COLOURS



Kiba-Verschlusselemente werden aus Standardfarben hergestellt, die den Katalogblättern zu entnehmen sind. Auf Kundenwunsch ist die Fertigung in Sonderfarben gegen Aufpreis möglich. Technisch bedingte Farbabweichungen behalten wir uns vor.

Kiba closures are produced in standard colours as specified in the catalogue. Special colours can be provided upon request at extra cost. For technical reasons, colours remain subject to deviations.

Farbe Colour	Kiba-Kurzzeichen Kiba Abbr.	RAL-Kennzeichnung RAL Designation	Farbbezeichnung Colour
rot red	ro	RAL 3000	Feuerrot Flame red
gelb yellow	ge	RAL 1016	Schwefelgelb Sulphur yellow
grün green	gn	RAL 6024	Verkehrsgrün Traffic green
blau blue	bl	RAL 5015	Himmelblau Sky blue
weiß white	we	RAL 9003	Signalweiß Signal white
grau grey	gr	RAL 7000	Fehgrau Squirrel grey
schwarz black	sw	RAL 9017	Verkehrsschwarz Traffic black

FERTIGUNGSTOLERANZEN NACH DIN 16742

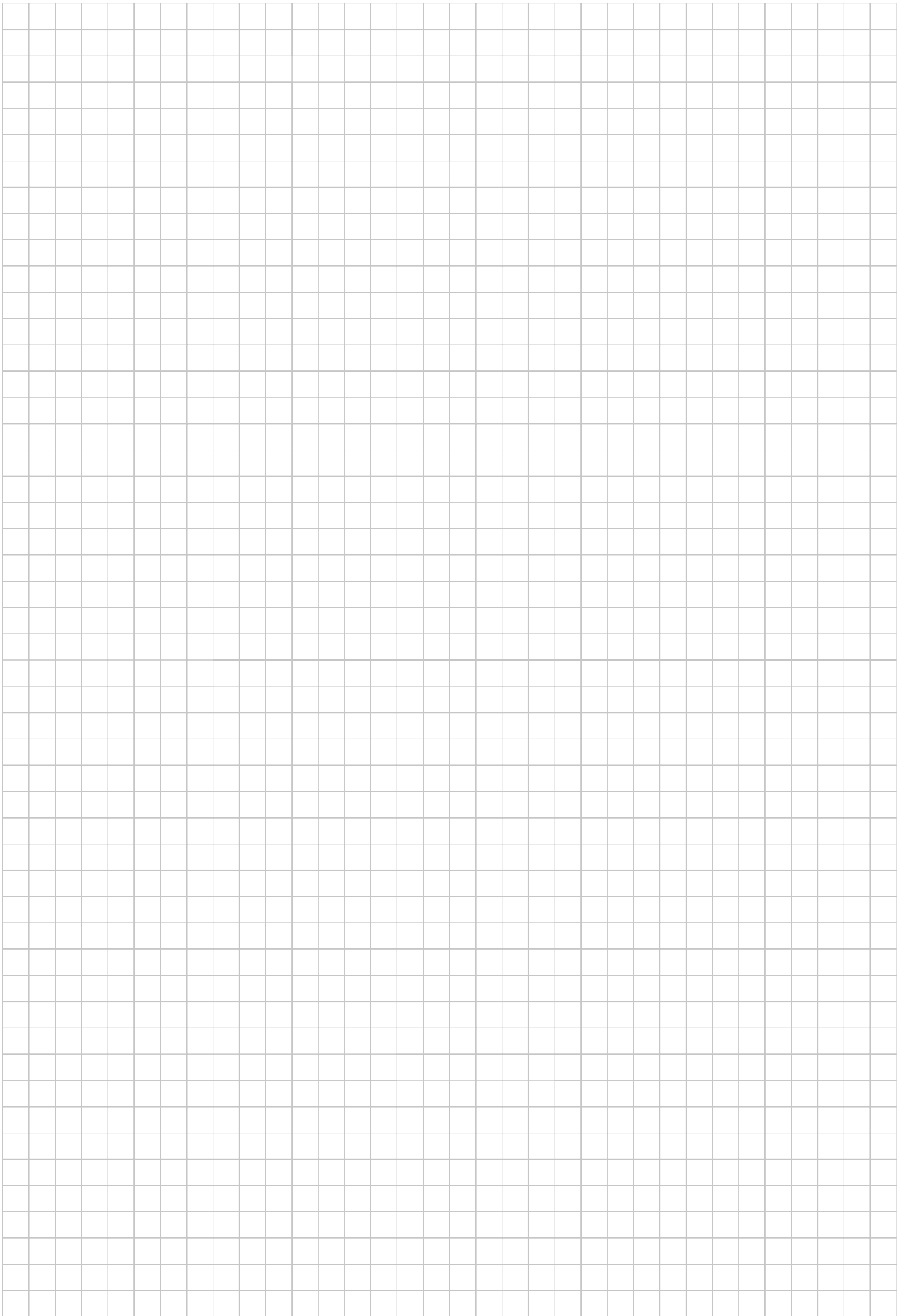
MANUFACTURING TOLERANCES DIN 16742

Toleranzgruppe Tolerance Group											
		>1 <3	>3 <6	>6 <10	>10 <18	>18 <30	>30 <50	>50 <80	>80 <120	>120 <180	>180 <250
6	werkzeuggebunden tool specific	±0,07	±0,12	±0,18	±0,22	±0,26	±0,31	±0,37	±0,57	±0,80	±0,93
	nicht werkzeuggebunden non-tool specific	±0,12	±0,18	±0,22	±0,26	±0,31	±0,37	±0,57	±0,80	±0,93	±1,05

Tabelle für Kennbuchstabe B = werkzeuggebundene Maße
Table for tolerance range B = tool specific dimensions, subject to change without prior notice

Die Technischen Informationen zu Werkstoffen und Farben basieren auf den Datenblättern unserer Vorlieferanten. Sie sind nicht als Beschaffenheitsgarantie zu verstehen. Die angegebenen Anwendungsfälle sind Empfehlungen, der Einsatz liegt im Ermessen des Anwenders. Es empfiehlt sich, die Eignung durch Versuche zu überprüfen. Die Materialauswahl für den jeweiligen Einsatzfall liegt ausschließlich beim Kunden. Zur Erprobung stellen wir kostenlose Muster und Beratung zur Verfügung.

The technical specifications regarding materials and colours are based on the data sheets of our suppliers and are not to be understood as a guarantee of appearance and composition. It is suggested that stoppers are tested for suitability for a given purpose. The choice of material for the individual application is also a matter for the customer to decide. We will gladly provide free samples for test purposes.





Kiba-Hutstopfen dienen dem Verschluss von Bohrungen und Innengewinden. Die ballige Form gewährleistet eine einfache Montage und einen festen Sitz. Die Außendurchmesser sind so abgestimmt, dass Innengewinde nach DIN 13 und ISO 228-1 / DIN2999 / 3858 zuverlässig geschützt werden.

Die Standardausführung der Kiba-Hutstopfen ist PE, naturfarben. Sonderausführungen in Material und Farbe entnehmen Sie bitte dem Sonderbestellschlüssel.

Die angegebenen Anwendungsfälle sind Empfehlungen. Der Einsatz liegt im Ermessen des Anwenders. Es empfiehlt sich, die Eignung durch Versuche zu überprüfen. Hierfür stellen wir Ihnen gerne Muster zur Verfügung.

Zusätzliche Informationen erhalten Sie auf Anfrage.

Kiba top-hat stoppers serve to close boreholes and female threads. The rounded shape ensures simple insertion and a firm fit. The outer diameters are dimensioned to ensure reliable protection for female threads in accordance with DIN 13 and ISO 228-1 / DIN2999 / 3858.

Standard Kiba top-hat stoppers are made of LD-PE and are neutral in colour. For special versions in material and colour please see the special ordering key.

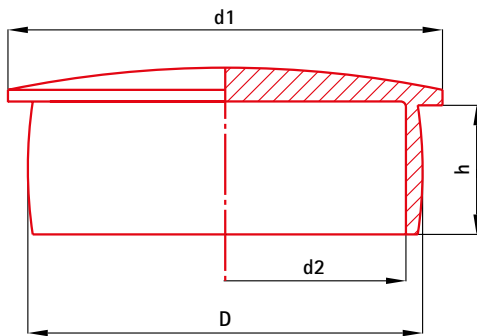
The mentioned applications are merely recommendations; actual use of the stoppers is at the discretion of the respective user. It is suggested that stoppers are tested for suitability for a given purpose, for which we will gladly provide samples.

Additional information may be obtained on request.



Abb. Ausführung: H3 PE ro. Sondermaterialien und -farben siehe Sonderbestellschlüssel | Fig. Model: H3 PE ro. Please see the key for special orders for further materials and colours.

Sonderbestellschlüssel | Key for special orders



Artikel Article	Material Material	Farbe Colour
H35	PE	ge
	Polyethylene PE	rot ro
	Polypropylene PP	gelb ge
	Polyamid 6 PA6	grün gn
	Polyamid 6.6 PA6.6	schwarz sw
	Polyethylene PE	red ro
	Polypropylene PP	yellow ge
	Polyamid 6 PA6	green gn
	Polyamid 6.6 PA6.6	black sw

Standardausführung natur | Standard model neutral

Artikel Article	Maße in mm		Dimensions in mm		Regelgewinde Standard threads	Feingewinde Fine threads
	D	h	d1	d2		
H 03	6,3	4,0	9,6	3,7		
H 02	7,2	5,5	11,2	5,2	M 8	M 8x1
H 01	8,4	5,5	11,0	6,4	M 9	
H 1	9,2	5,5	14,4	7,0	M 10	M 10x1,25 M 10x1 G 1/8
H 1 A	10,1	5,5	14,4	8,2	M 12	M 12x1,5
H 2	10,6	5,5	14,4	8,8	M 12	M 12x1,5
H 2 A	11,3	5,5	14,4	9,5		M 12x1,25 M 12x1
H 2 B	11,8	5,5	14,4	10,0		
H 3	12,3	7,0	18,7	10,4	M 14	G 1/4
H 3 A	13,0	7,0	18,7	11,1		M 14x1,5 M 14x1,25
H 3 A 1	13,3	7,0	18,7	11,4		M 14x1,5 M 14x1,25
H 3 B	13,6	7,0	18,7	11,7		M 14x1
H 3 B 1	14,0	7,0	18,7	12,1	M 16	M 16x1,5
H 3 C	14,4	7,0	18,7	12,3	M 16	
H 4	15,0	7,0	18,7	12,9		M 16x1,5
H 5	15,8	7,0	18,7	13,8	M 18	M 16x1 G 3/8
H 6	16,5	7,0	18,7	14,5		M 18x2 M 18x1,5 M 18x1 G 3/8
H 6 A	17,1	9,0	24,6	15,2		M 18x2 M 18x1,5 M 18x1
H 6 B	17,8	9,0	24,6	15,9	M 20	M 20x2

Angaben zu Werkstoffen, Farben, chemischer Beständigkeit und Fertigungstoleranzen nach DIN 16742 finden Sie in dem Kapitel „Technische Hinweise“. Please see our separate "Technical Details" brochure for information on materials, colours, chemical resistance and manufacturing tolerances in line with DIN 16742.

Technische Änderungen vorbehalten. Subject to technical alteration.



Abb. Ausführung: H9 A PE ro. Sondermaterialien und -farben siehe Sonderbestellschlüssel | Fig. Model: H9 A PE ro. Please see the key for special orders for further materials and colours.

Artikel Article	Maße in mm		Dimensions in mm		Regelgewinde Standard threads	Feingewinde Fine threads
	D	h	d1	d2		
H 7	18,5	9,0	24,6	16,5		M 20x2 M 20x1,5 M 20x1
H 7 A	18,9	9,0	24,6	16,8		
H 7 B	19,2	3,8	24,6	17,5		
H 8	19,5	9,0	24,6	17,5	M 22	M 22x2 G 1/2
H 8 A	20,1	9,0	24,6	18,1	M 22	M 22x1,5
H 9	20,7	9,0	24,6	18,4	M 22	M 22x1,5
H 9 A	21,2	9,0	24,6	19,0	M 24	G 5/8
H 10	21,7	9,0	24,6	19,4	M 24	G 5/8
H 11	22,4	9,0	24,6	20,2		M 24x1,5
H 11 A	23,0	9,0	28,5	20,8		M 24x15
H 111	23,6	9,0	28,5	21,5		
H 112	24,0	9,0	28,5	21,5	M 27	
H 12	24,6	9,0	28,5	22,5	M 27	
H 13	25,5	9,0	28,5	23,4		M 27x2 G 3/4 M 27x1,5
H 14	26,5	9,0	28,5	24,6	M 30	
H 141	27,0	12,0	34,8	24,8	M 30	
H 142	27,5	12,0	34,8	25,3		M 30x3
H 151	28,8	12,0	34,8	26,6	M 33	M 30x2 G 7/8 M 30x1,5
H 16	30,5	12,0	34,8	27,3	M 33	G 1
H 17	31,7	12,0	34,8	28,6	M 36	M 33x2 G 1 M 33x1,5
H 18	32,6	12,0	34,8	29,7	M 36	M 33x2 M 33x1,5 M 36x3

Angaben zu Werkstoffen, Farben, chemischer Beständigkeit und Fertigungstoleranzen nach DIN 16742 finden Sie in dem Kapitel „Technische Hinweise“.
Please see our separate "Technical Details" brochure for information on materials, colours, chemical resistance and manufacturing tolerances in line with DIN 16742.

Technische Änderungen vorbehalten.
Subject to technical alteration.

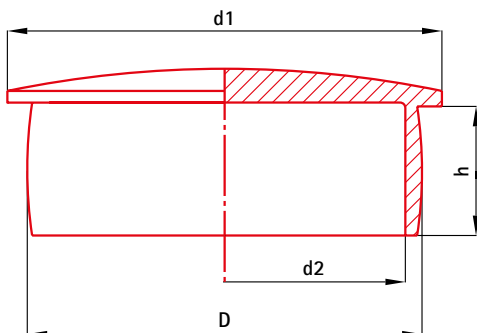
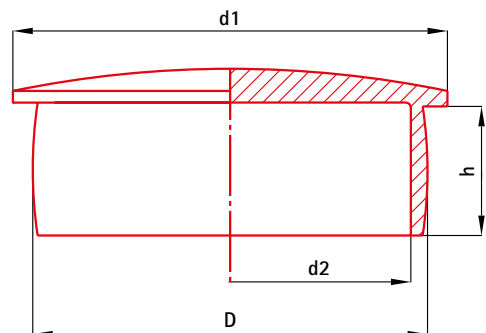




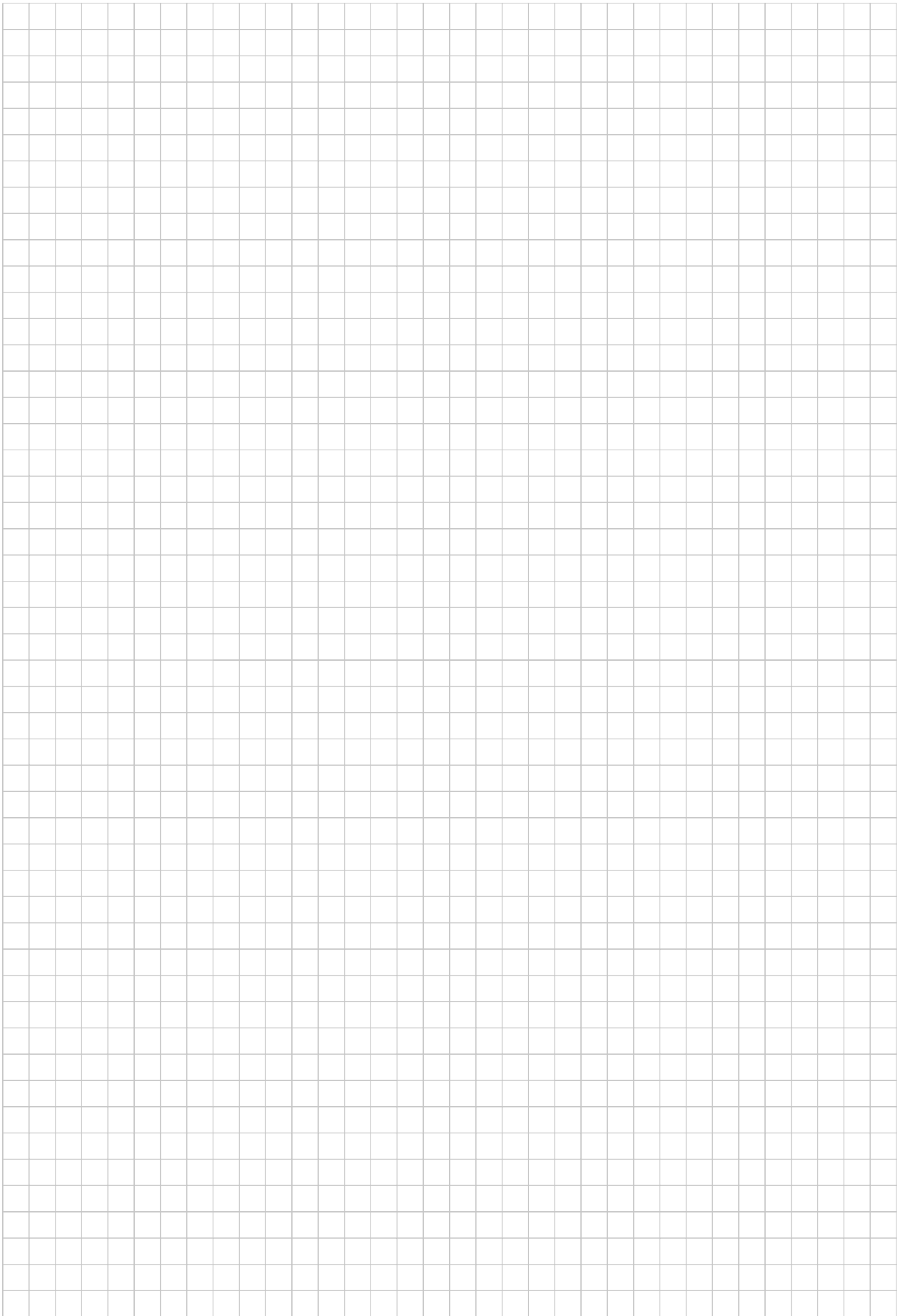
Abb. Ausführung: H49 PE ro. Sondermaterialien und -farben siehe Sonderbestellschlüssel | Fig. Model: H49 PE ro. Please see the key for special orders for further materials and colours.

Artikel Article	Maße in mm		Dimensions in mm		Regelgewinde Standard threads	Feingewinde Fine threads
	D	h	d1	d2		
H 19	34,6	12,0	40,4	31,6	M 39	M 36x2 M 36x1,5
H 20	35,5	12,0	40,4	32,3	M 39	M 36x1,5 G 1 1/8 M 39x3
H 21	36,7	12,0	40,4	33,6	M 39	M 39x3
H 21 A	36,7	8,0	40,4	33,6	M 39	M 39x2
H 23	39,0	16,0	49,3	35,3	M 42	M 39x1,5 M 42x3
H 25	40,7	16,0	49,3	37,0	M 45	M 42x2 G 1 1/4 M 42x1,5
H 27	42,5	16,0	49,3	38,8	M 48	M 45x3 G 1 3/8
H 32	46,2	18,0	58,7	41,9		M 48x3 G 1 1/2 M 48x2 M 48x1,5
H 35	51,5	18,0	58,7	47,5		M 56x4 G 1 3/4
H 362	54,1	18,0	58,7	49,2	M 60	M 56x4 G 1 3/4 M 56x3 M 56x2
H 39	58,2	18,0	64,8	53,3	M 64	M 60x4 G 2 M 60x2 M 60x1,5
H 40	59,6	18,0	73,5	54,5	M 64	
H 49	73,7	17,4	82,3	68,7		M 75x1,5 G 2 1/2
H 54	80,8	17,4	92,5	75,8		M 80x4 G 2 3/4
H 57	86,5	17,4	99,3	81,3	M 80	M 76x2 G 3
H 64	98,8	17,4	112,0	93,5		M 100x2 G 3 1/2
H 70	111,7	17,4	123,0	106,4		M 115x4 G 4

Angaben zu Werkstoffen, Farben, chemischer Beständigkeit und Fertigungstoleranzen nach DIN 16742 finden Sie in dem Kapitel „Technische Hinweise“. Technische Änderungen vorbehalten.
Please see our separate "Technical Details" brochure for information on materials, colours, chemical resistance and manufacturing tolerances in line with DIN 16742. Subject to technical alteration.









Kiba-Tellerstopfen dienen dem sicheren Verschließen von Bohrungen, Außengewinden und Gewindelöchern. Die elastische Formgebung ermöglicht eine leichte Demontage und überbrückt Fertigungstoleranzen.

Die Standardausführung der Kiba-Tellerstopfen ist PE, naturfarben. Sonderausführungen in Material und Farbe entnehmen Sie bitte dem Sonderbestellschlüssel.

Die angegebenen Anwendungsfälle sind Empfehlungen, der Einsatz liegt im Ermessen des Anwenders. Es empfiehlt sich, die Eignung durch Versuche zu überprüfen. Hierfür stellen wir Ihnen gerne Muster zur Verfügung.

Zusätzliche Informationen erhalten Sie auf Anfrage.

Kiba dish stoppers are used as reliable closure of boreholes, external threads and threaded holes. Next to enabling simple insertion and removal, the elastic stopper compensates for manufacturing tolerances.

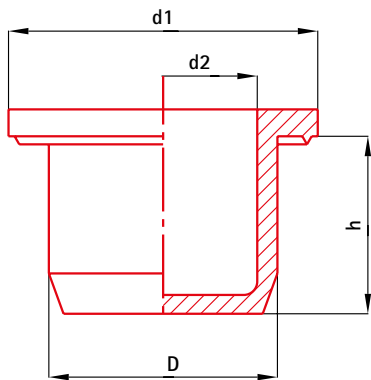
Standard Kiba dish stoppers are made of PE and are neutral in colour. For special versions in material and colour please see the special ordering key.

The mentioned applications are merely recommendations; actual use of the stoppers is at the discretion of the respective user. It is suggested that stoppers are tested for suitability for a given purpose, for which we will gladly provide samples.

Additional information may be obtained on request.



Abb. Ausführung: T 13 PE ro. Sondermaterialien und -farben siehe Sonderbestellschlüssel | Fig. Model: T 13 PE ro. Please see the key for special orders for further materials and colours.



Sonderbestellschlüssel | Key for special orders

Artikel Article	Material Material	Farbe Colour
T 10	PE	ro
	Standardmaterial LD-PE Andere Materialien auf Anfrage	rot gelb grün schwarz
	Standard material LD-PE Other materials on request	red yellow green black

Standardausführung natur | Standard model neutral

Artikel Article	Maße in mm		Dimensions in mm		Regelgewinde Standard threads	Feingewinde Fine threads	
	D	h	d1	d2			
T 1 C	4,25	3,5	8,3	3,0	M 5		
T 1	5,3	5,0	8,3	3,9	M 6		M 6x0,75
T 1 A	5,7	5,0	8,7	4,1			M 6x0,75 M 6x0,5
T 2	6,3	5,0	9,3	5,2	M 7		
T 2 A	6,7	5,0	9,7	5,2	M 8		
T 3	7,2	6,3	10,2	6,1			M 8x1
T 3 A	7,7	6,3	10,7	6,1			M 8x0,75
T 4	8,1	6,3	11,1	7,0			
T 4 A	8,5	6,3	11,5	7,0	M 10		
R 1/8	9,1	6,5	12,9	7,9	M 10		M 10x1,25 M 10x1 M 10x0,75 G 1/8
T 5	9,2	10,1	12,9	7,9	M 10		M 10x1,25 M 10x1 M 10x0,75 G 1/8
T 6	10,4	6,9	14,5	9,3	M 12		M 12x1,25 M 12x1
T 6 A	10,8	6,9	14,7	9,3	M 12		M 12x1,25 M 12x1
T 6 B	11,2	6,9	15,2	10,3			M 12x1,25 M 12x1
T 6 C	11,7	6,9	15,7	10,3			M 12x1
R 1/4	12,1	7,0	15,9	11,0			G 1/4
R 1/4-12	12,5	7,0	16,4	11,0	M 14		M 14x1,5
T 6 D	13,0	7,7	16,9	11,9			M 14x1,25 M 14x1

Angaben zu Werkstoffen, Farben, chemischer Beständigkeit und Fertigungstoleranzen nach DIN 16742 finden Sie in dem Kapitel „Technische Hinweise“. Please see our separate "Technical Details" brochure for information on materials, colours, chemical resistance and manufacturing tolerances in line with DIN 16742.

Technische Änderungen vorbehalten. Subject to technical alteration.



Abb. Ausführung: T 13 PE ro. Sondermaterialien und -farben siehe Sonderbestellschlüssel | Fig. Model: T 13 PE ro. Please see the key for special orders for further materials and colours.

Artikel Article	Maße in mm		Dimensions in mm		Regelgewinde Standard threads	Feingewinde Fine threads	
	D	h	d1	d2			
T 6 F	14,0	7,7	17,8	12,4	M 16		
T 7	14,5	7,5	18,4	13,3	M 16		
T 8	15,0	7,5	19,0	13,3		M 16x1,5 M 16x1	
T 8 A	15,3	11,0	19,3	13,8		M 16x1,5 M 16x1	G 3/8
T 8 A S	15,3	11,0	25,5	13,8	M 18	M 16x1	G 3/8
R 3/8 S	15,5	7,7	19,1	14,4	M 18	M 16x1	G 3/8
R 3/8	16,0	7,7	19,6	14,9	M 18	M 18x2	
R 3/8-16	16,5	7,7	19,7	14,9		M 18x1,5	
T 8 D	17,1	7,7	20,9	16,1			
T 9	17,8	7,7	21,4	16,7	M 20	M 18x1 M 20x2	
T 10	18,2	7,7	22,2	16,7	M 20	M 20x1,5 M 20x2	
T 111 S	19,0	11,0	29,7	17,8		M 20x1,5	G 1/2
R 1/2	19,6	8,3	23,3	18,5	M 22	M 20x1,5 M 20x1 M 22x2	G 1/2
R 1/2-5	19,6	5,0	23,3	18,5	M 22	M 20x1,5 M 20x1 M 22x2	G 1/2
T 13	20,7	8,5	24,7	19,6	M 22	M 22x2 M 22x1,5	
T 132	21,7	8,5	25,7	20,6	M 24	M 22x1,5 M 22x1	G 5/8
T 133	22,3	8,5	26,2	20,6		M 24x2	
R 3/4 S	24,5	8,5	28,2	23,4	M 27		G 3/4
R 3/4	25,1	8,5	28,8	23,9	M 27	M 27x2	G 3/4
T 151	26,0	8,5	30,0	24,7		M 27x1,5	
T 16	26,6	8,5	30,6	24,7		M 28x1,5	
T 161	27,2	8,5	31,2	26,0	M 30		
T 162	27,7	8,5	31,6	26,0	M 30	M 30x3	
T 17	28,5	8,5	31,0	26,5			
T 18	28,9	8,5	32,8	27,8		M 30x2 M 30x1	G 7/8

Angaben zu Werkstoffen, Farben, chemischer Beständigkeit und Fertigungstoleranzen nach DIN 16742 finden Sie in dem Kapitel „Technische Hinweise“.
Please see our separate "Technical Details" brochure for information on materials, colours, chemical resistance and manufacturing tolerances in line with DIN 16742.

Technische Änderungen vorbehalten.
Subject to technical alteration.

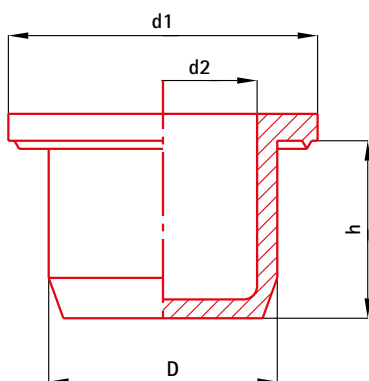
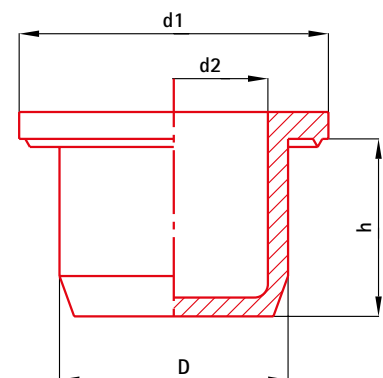




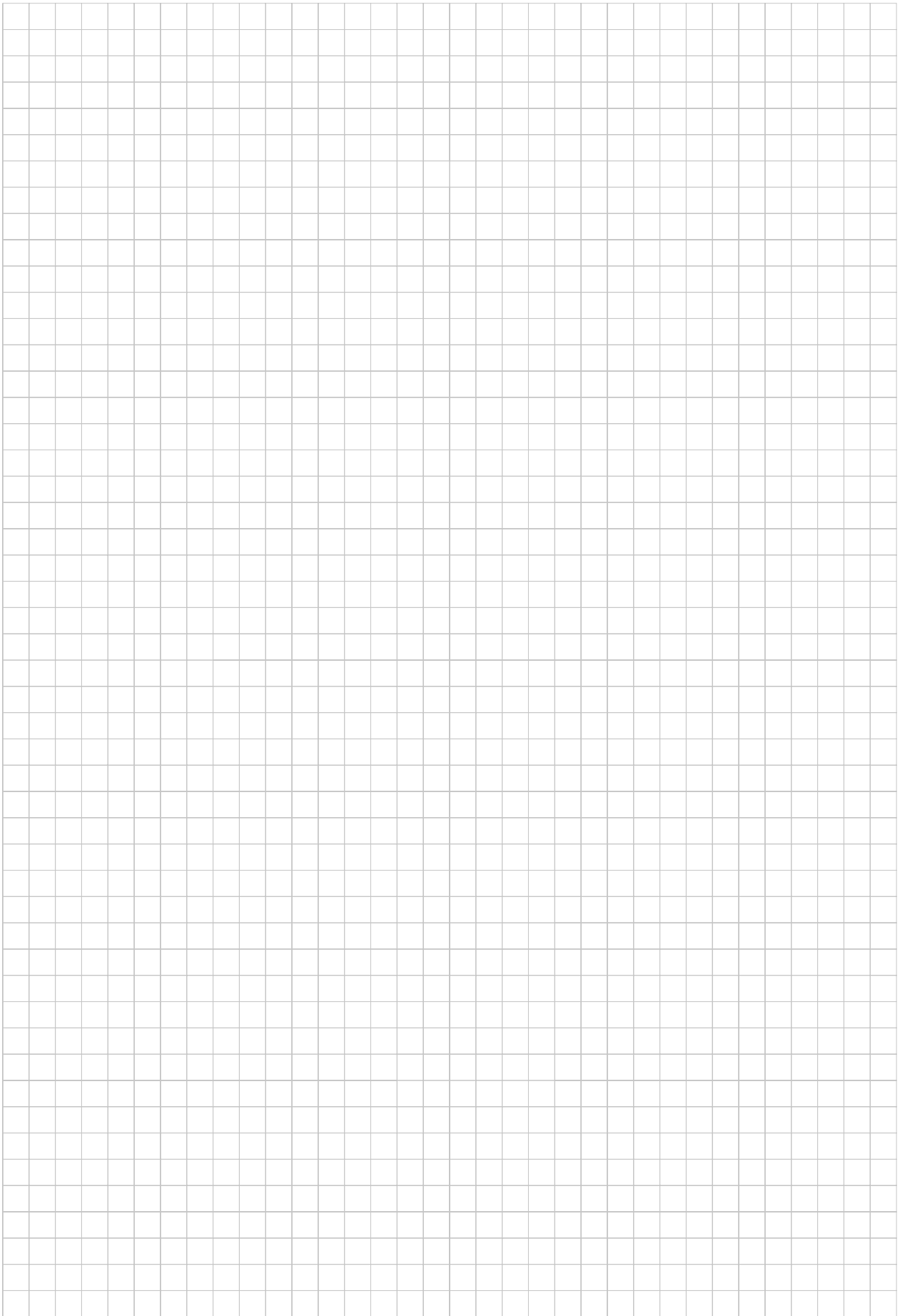
Abb. Ausführung: T 341 PE ro. Sondermaterialien und -farben siehe Sonderbestellschlüssel | Fig. Model: T 341 PE ro. Please see the key for special orders for further materials and colours.

Artikel Article	Maße in mm		Dimensions in mm		Regelgewinde Standard threads	Feingewinde Fine threads
	D	h	d1	d2		
T 181	30,0	8,5	34,0	28,8	M 33	
R 1 S	31,1	8,5	35,0	29,9	M 33	M 33x2 G 1
R 1	31,4	8,5	35,5	30,2		M 33x2 G 1
R 1 A	31,8	8,5	35,8	30,2	M 36	M 33x1,5 G 1
T 19	33,2	8,5	37,2	31,7	M 36	
T 23	36,0	8,5	40,2	34,4	M 39	M 39x3 G 1 1/8
T 24	36,7	8,5	40,5	35,1		
T 25	37,4	8,5	41,4	35,8		
T 26	39,1	8,5	43,1	37,5	M 42	M 42x4 M 42x3
R 1 1/4 S	39,5	8,8	46,2	38,0		M 42x3 G 1 1/4
T 271	40,1	8,6	46,8	38,9	M 45	M 42x1,5 M 42x2 G 1 1/4
T 28	40,7	8,7	47,5	39,1	M 45	M 42x2 M 42x1,5 G 1 1/4
S 1	40,5	9,6	54,0	38,3		M 42x2 M 42x1,5 G 1 1/4
S 1 G	40,5	9,6	59,6	38,5		M 42x2 M 42x1,5 G 1 1/4
43 mm	42,6	4,0	46,4	41,4	M 48	M 45x3 G 1 3/8
T 30	43,0	8,5	47,2	41,4		
T 304	46,1	8,5	52,7	44,5		M 48x2 M 48x3 M 48x4 G 1 1/2
47 mm	46,6	5,8	50,3	45,1	M 52	M 48x1,5 G 1 1/2
T 32	51,1	8,7	60,0	49,5	M 56	M 52x2 M 52x1,5
R 2	58,2	8,7	67,0	56,5		M 58x1,5 G 2
T 331 A	60,0	10,2	61,7	58,8		M 64x4
T 341	66,2	8,5	75,2	64,6		M 68x3 M 68x2
R 2 1/2	73,6	8,7	82,5	71,8		M 75x2 M 75x1,5 M 76x4 G 2 1/2
T 39	81,2	8,7	90,2	79,4		M 85x4 G 2 3/4
T 393	85,1	8,7	93,8	83,2		M 90x6
T 40	86,6	9,5	98,6	84,6		M 90x4 G3
T 45	101,8	9,5	113,8	99,5		M 105x4

Angaben zu Werkstoffen, Farben, chemischer Beständigkeit und Fertigungstoleranzen nach DIN 16742 finden Sie in dem Kapitel „Technische Hinweise“. Technische Änderungen vorbehalten.
Please see our separate "Technical Details" brochure for information on materials, colours, chemical resistance and manufacturing tolerances in line with DIN 16742. Subject to technical alteration.









Kiba-Schutzkappen, die aus hochwertigem, elastischem Kunststoff gefertigt werden, dienen dem Schutz von Rohrenden, Gewindebolzen und Schlauchanschlüssen.

Kiba-Schutzkappen sind für Außenanwendungen konzipiert und erhältlich für Rohrgewinde nach ISO 228 und DIN 2999. Die Standardausführung der Kiba-Schutzkappen ist PE, naturfarben.

Die angegebenen Anwendungsfälle sind Empfehlungen, der Einsatz liegt im Ermessen des Anwenders. Es empfiehlt sich, die Eignung durch Versuche zu überprüfen. Hierfür stellen wir Ihnen gerne Muster zur Verfügung.

Sonderausführungen in Material und Farbe erhalten Sie auf Anfrage.

Kiba protective caps, which are made of high-quality elastic plastic, serve to protect pipe ends, threaded bolts and hose couplings.

Kiba protective caps are designed for outer use and available to suit ISO228 and DIN 2999 pipe threads. Standard Kiba protective caps are made of LD-PE and are neutral in colour.

The mentioned applications are merely recommendations; actual use of the stoppers is at the discretion of the respective user. It is suggested that stoppers are tested for suitability for a given purpose, for which we will gladly provide samples.

Special materials and colours can be made available on request.

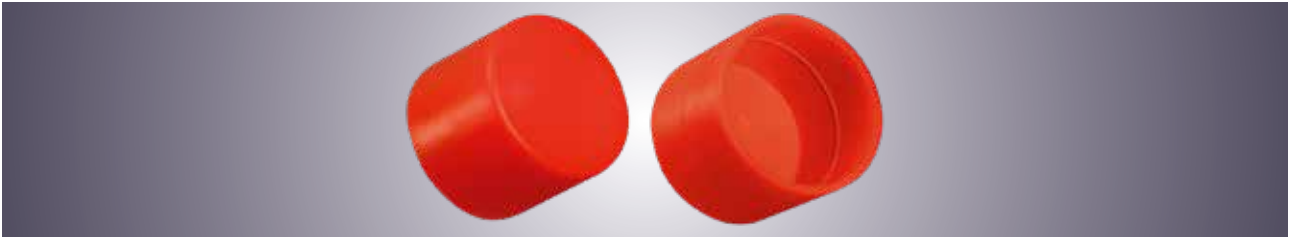
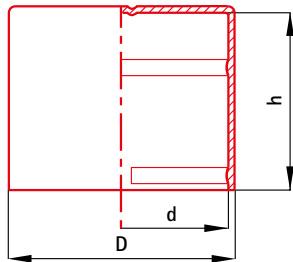


Abb. Ausführung: K19 PE ro. Sondermaterialien und -farben siehe Sonderbestellschlüssel | Fig. Model: K19 PE ro. Please see the key for special orders for further materials and colours.

Sonderbestellschlüssel | Key for special orders



Artikel Article	Material Material	Farbe Colour
K19	PE	ro
	Standardmaterial LD-PE	rot ro
	Andere Materialien auf Anfrage	gelb ge
		grün gn
		schwarz sw
	Standard material LD-PE	red ro
	Other materials on request	yellow ge
		green gn
		black sw

Standardausführung natur | Standard model neutral

Artikel Article	Maße in mm Dimensions in mm		Rohrgewinde nach ISO 228 und DIN 2999 ISO 228 and DIN 2999 pipe threads	Höhe in mm Height in mm	SW SW
	d	D			
K 04	5,5	7,0		13,0	
K 03 A	5,8	8,0		13,0	
K 02	7,5	9,9		7,4	
K 01	8,3	10,8		9,5	
K 1	9,3	12,0	G 1/8	16,0	
K 2	11,4	14,5		16,0	
K 3	12,7	15,5	G 1/4	16,0	
K 4	13,3	16,3		16,0	
K 4 A	13,5	15,5		8,0	
K 4 D	15,8	18,3		20,5	
K 5	15,7	18,2	G 3/8	20,0	
K 6	16,6	19,2	G 3/8	20,0	
K 6 A/14	17,7	19,8		14,0	
K 6 A	17,7	19,8		16,3	
K 7	17,6	20,5		20,0	
K 7 A	18,75	20,0		20,0	17
K 8	19,2	22,1		20,0	
K 9	20,6	22,9	G 1/2	20,9	
K 10	20,8	23,5		21,0	
K 101	23,0	24,5		9,0	
K 102	23,4	25,7		18,0	
K 102 S	23,8	26,2		27,0	
K 11	23,9	26,3		20,5	
K 111	25,0	27,5		27,5	
K 12	25,9	28,8	G 3/4	26,8	

Angaben zu Werkstoffen, Farben, chemischer Beständigkeit und Fertigungstoleranzen nach DIN 16742 finden Sie in dem Kapitel „Technische Hinweise“.
Please see our separate "Technical Details" brochure for information on materials, colours, chemical resistance and manufacturing tolerances in line with DIN 16742.

Technische Änderungen vorbehalten.
Subject to technical alteration.



Abb. Standardausführung: K25 PE ro. Sondermaterialien und -farben siehe Sonderbestellschlüssel | Fig. Standard Model: K25 PE ro. Please see the key for special orders for further materials and colours.

Artikel Article	Maße in mm Dimensions in mm		Rohrgewinde nach ISO 228 und DIN 2999 ISO 228 and DIN 2999 pipe threads	Höhe in mm Height in mm	SW SW
	d	D			
K 121	25,4	27,6	G 3/4	16,0	
K 13	26,8	29,5		27,0	
K 131	29,5	30,8		9,0	
K 14	29,4	31,5		27,0	
K 15	31,2	32,2		27,0	
K 16	31,6	34,8	G 1	27,0	
K 161	32,4	34,5	G 1	16,0	
K 171	34,0	36,7		17,0	
K 17	33,6	36,6		27,0	
K 18/50	37,4	39,8		50,0	
K 18	36,2	38,7		31,5	32
K 19	40,0	42,5		27,0	
K 20	41,5	44,1	G 1 1/4	27,0	
K 201	40,9	43,0	G 1 1/4	18,2	
K 22	44,4	47,0	G 1 3/8	35,0	41
K 231	47,1	49,5	G 1 1/2	18,2	
K 232	47,6	49,5		35,0	
K 23	49,2	52,7		28,0	
K 24	51,0	53,0		35,0	
K 241	50,0	52,2		28,5	46
K 25	53,7	56,4		35,0	
K 251	54,7	57,0		18,2	
K 252	55,3	57,5		28,0	50
K 271	58,7	61,5	G 2	17,6	
K 272	65,8	68,0		34,0	60
K 28	69,4	72,0		34,5	
K 30	75,0	75,5	G 2 1/2	34,5	
K 312/79E*	83,5	86,5		80,0	
K 32	86,0	90,0	G 3	35,0	
K 321/73	89,5	91,5		72,0	
K 33/18	92,5	95,5	G 3 1/4	18,0	
K 333/71	98,5	101,5		70,0	
K 333/40	98,5	101,5		40,0	
K 35	106,8	109,5	G 3 1/4	35,0	
K 36	111,8	116,0	G 4	35,0	
K 52/16	165,0			16,0	
K53	168,5			40,0	

Angaben zu Werkstoffen, Farben, chemischer Beständigkeit und Fertigungstoleranzen nach DIN 16742 finden Sie in dem Kapitel „Technische Hinweise“. Please see our separate "Technical Details" brochure for information on materials, colours, chemical resistance and manufacturing tolerances in line with DIN 16742.

Technische Änderungen vorbehalten. Subject to technical alteration.

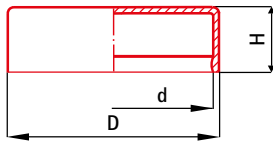
* mit Entlüftungsbohrung | with ventilation hole

SCHUTZKAPPEN FÜR SAE-FLANSCHANSCHLÜSSE | PROTECTIVE CAPS FOR SAE FLANGE ADAPTER



Abb. Ausführung: K 6125 PE ro. Sondermaterialien und -farben siehe Sonderbestellschlüssel | Fig. Model: K 6125 PE ro. Please see the key for special orders for further materials and colours.

Sonderbestellschlüssel | Key for special orders



Artikel Article	Material Material	Farbe Colour
K 6125	PE	ge
	Standardmaterial LD-PE Andere Materialien auf Anfrage	gelb ge
	Standard material LD-PE Other materials on request	yellow ge

Standardausführung rot | Standard model red

FÜR SAE-FLANSCHANSCHLÜSSE 3000 PSI | FOR SAE FLANGE ADAPTER 3000 PSI

Artikel Article	Maße in mm Dimensions in mm		D	d	H	Flansch-Æ Flange - Ø	
	Nennweite Size						
K 3050	1/2"		32,1	30,3	10,2		30,2
K 3075	3/4"		40,0	38,2	10,2		38,1
K 3100	1"		46,4	44,6	11,5		44,5
K 3125	1 1/4"		52,7	50,9	11,5		50,8
K 3150	1 1/2"		62,2	60,4	11,5		60,3
K 3200	2"		73,3	71,5	13,0		71,4
K 3250	2 1/2"		86,5	83,6	13,3		83,5
K 3300	3"		104,5	101	16,2		100,9
K 3350	3 1/2"		116,9	113,5	15,6		113,4
K 3400	4"		130,5	126,0	15,8		127,0
K 3500	5"		156,0	152,0	16,0		152,4

Angaben zu Werkstoffen, Farben, chemischer Beständigkeit und Fertigungstoleranzen nach DIN 16742 finden Sie in dem Kapitel „Technische Hinweise”.
Please see our separate "Technical Details" brochure for information on materials, colours, chemical resistance and manufacturing tolerances in line with DIN 16742.

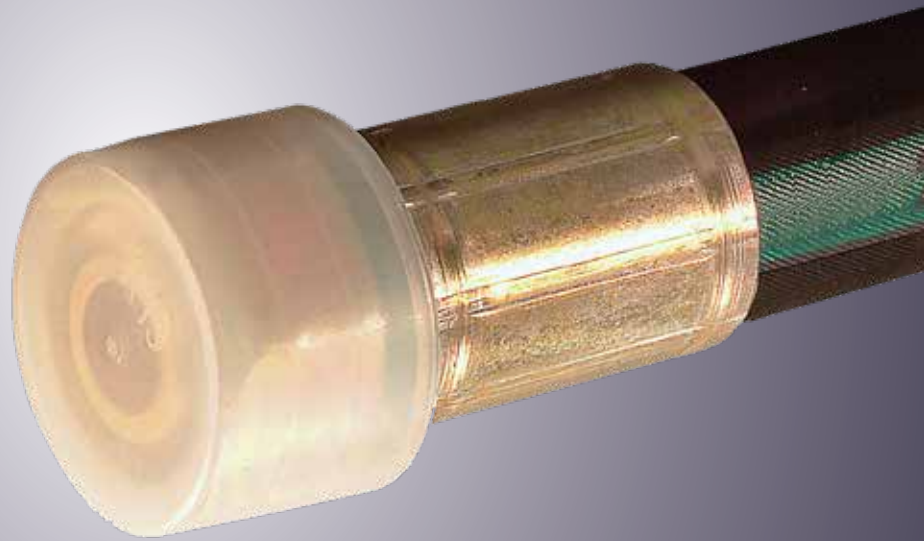
Technische Änderungen vorbehalten.
Subject to technical alteration.

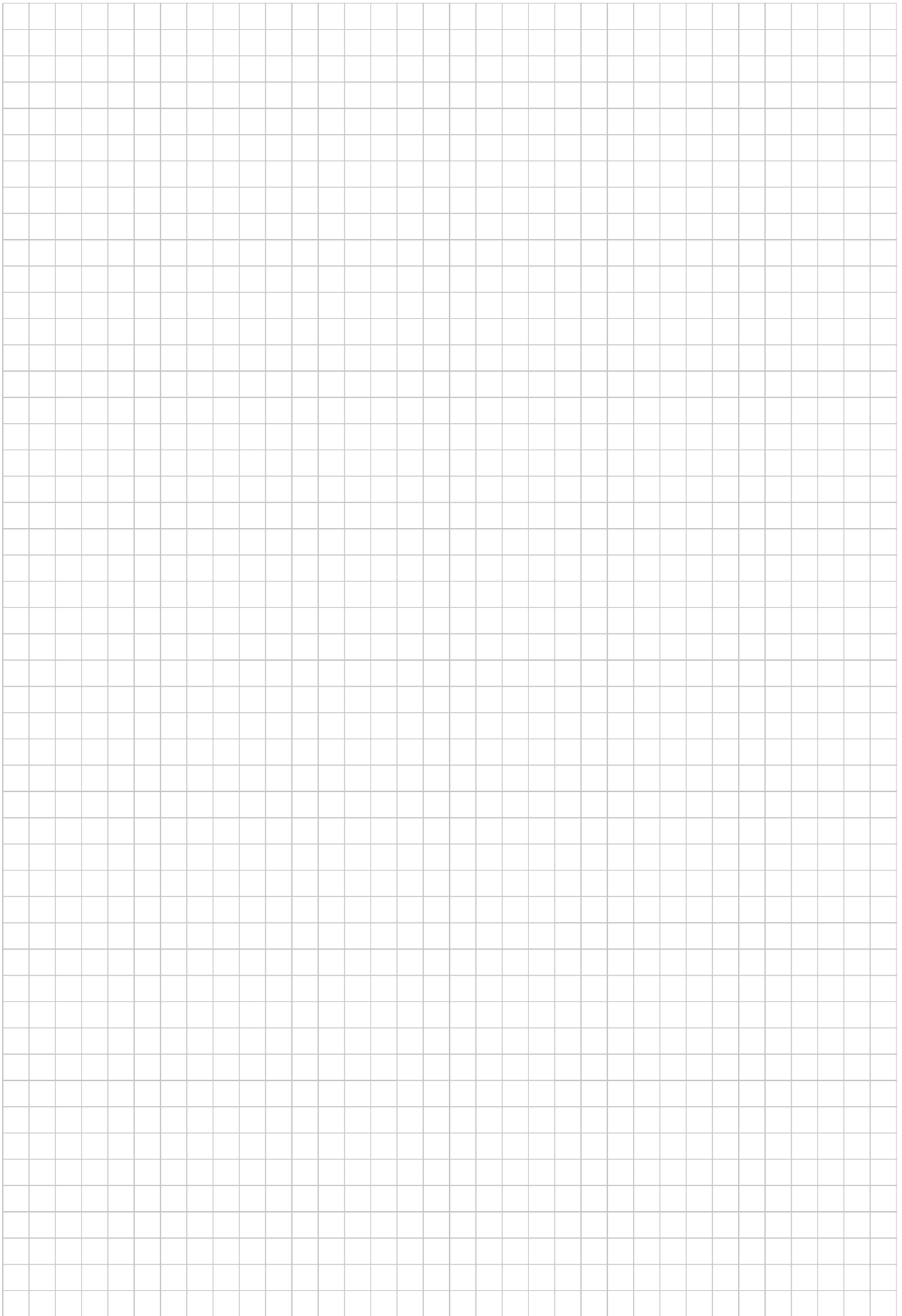
FÜR SAE-FLANSCHANSCHLÜSSE 6000 PSI | FOR SAE FLANGE ADAPTER 6000 PSI

Artikel Article	Maße in mm Dimensions in mm		D	d	H	Flansch-Æ Flansch - Ø	
	Nennweite Size						
K 6050	1/2"		33,7	31,9	11,3		31,7
K 6075	3/4"		43,2	41,4	12,3		41,3
K 6100	1"		49,5	47,7	13,0		47,6
K 6125	1 1/4"		55,9	54,1	13,8		54,0
K 6150	1 1/2"		65,6	63,6	16,1		63,5
K 6200	2"		81,5	79,7	16,1		79,4

Angaben zu Werkstoffen, Farben, chemischer Beständigkeit und Fertigungstoleranzen nach DIN 16742 finden Sie in dem Kapitel „Technische Hinweise”.
Please see our separate "Technical Details" brochure for information on materials, colours, chemical resistance and manufacturing tolerances in line with DIN 16742.

Technische Änderungen vorbehalten.
Subject to technical alteration.







Kiba-Rändelkappen dienen dem Schutz von Gewindebolzen, Wellenenden oder Rohrenden. Der gerändelte Bund erleichtert die Demontage.

Die Standardausführung der Kiba-Rändelkappen ist PE, naturfarben. Sonderausführungen in Material und Farbe entnehmen Sie bitte dem Sonderbestellschlüssel.

Die angegebenen Anwendungsfälle sind Empfehlungen, der Einsatz liegt im Ermessen des Anwenders. Es empfiehlt sich, die Eignung durch Versuche zu überprüfen. Hierfür stellen wir Ihnen gerne Muster zur Verfügung.

Zusätzliche Informationen erhalten Sie auf Anfrage.

Kiba knurled caps serve to protect threaded bolts, shaft extensions or pipe ends. The knurled edge ensures easy removal.

Standard Kiba knurled caps are made of LD-PE and are neutral in colour. Please see the key for special orders for details of further stopper materials and colours.

The mentioned applications are merely recommendations; actual use of the stoppers is at the discretion of the respective user. It is suggested that stoppers are tested for suitability for a given purpose, for which we will gladly provide samples.

Additional information may be obtained on request.

RÄNDELKAPPEN FÜR METRISCHE GEWINDE | KNURLED CAPS FOR METRIC THREADS

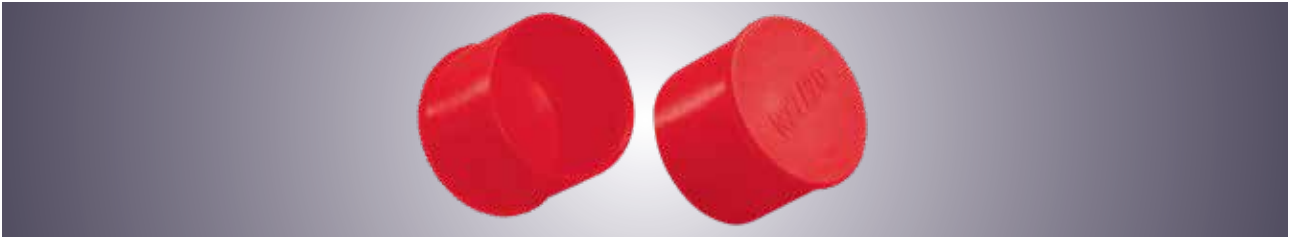
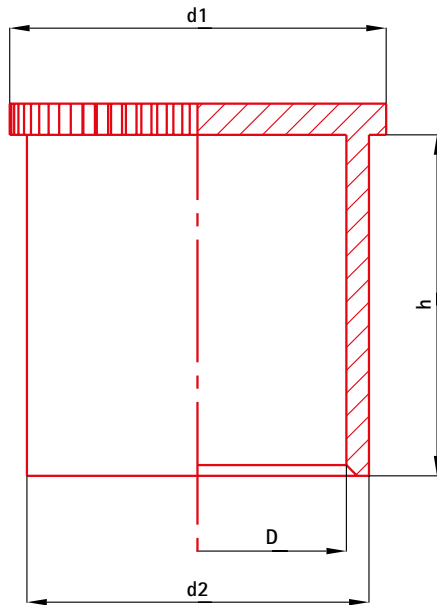


Abb. Ausführung: R 20/20 PE ro. Sondermaterialien und -farben siehe Sonderbestellschlüssel | Fig. Model: R 20/20 PE ro. Please see the key for special orders for further materials and colours.



Sonderbestellschlüssel | Key for special orders

Artikel Article	Material Material	Farbe Colour
R 20/20	PE	ro
	Standardmaterial LD-PE Andere Materialien auf Anfrage	rot gelb grün
	Standard material LD-PE Other materials on request	red yellow green

Standardausführung natur | Standard model neutral

Artikel Article	für Außendurchmesser for outer diameter		Maße in mm Dimensions in mm		
	D		h	d1	d2
R 8/10	8		10,50	11,40	9,95
R 10/10	10		10,50	13,10	11,80
R 10/14	10		14,00		
R 12/16	12		16,10	15,00	13,80
R 14/10	14		10,00		
R 14/15	14		15,60	17,30	15,90
R 16/15	16		15,60	19,30	18,00
R 16/20	16		20,40	19,60	17,90
R 18/12	18		12,00		
R 18/20	18		20,60	21,58	20,00
R 20/12	20		12,00		
R 20/20	20		20,60	23,80	21,85
R 22/12	22		12,00		
R 22/18	22		18,60	27,30	24,10
R 24/18	24		18,00	27,80	26,20
R 25/20	25		20,00	29,50	27,60
R 27/20	27		20,00	30,80	29,10
R 30/20	30		20,00	34,20	32,20
R 36/20	36		20,00	40,00	38,00

Angaben zu Werkstoffen, Farben, chemischer Beständigkeit und Fertigungstoleranzen nach DIN 16742 finden Sie in dem Kapitel „Technische Hinweise“.
Please see our separate "Technical Details" brochure for information on materials, colours, chemical resistance and manufacturing tolerances in line with DIN 16742.

Technische Änderungen vorbehalten.
Subject to technical alteration.

RÄNDELKAPPEN FÜR ZOLLABMESSUNGEN UND BSP | KNURLED CAPS FOR INCH THREADS AND BSP THREADS

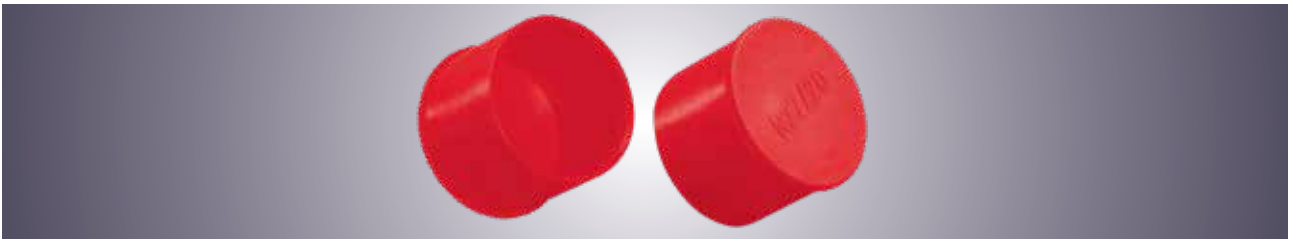
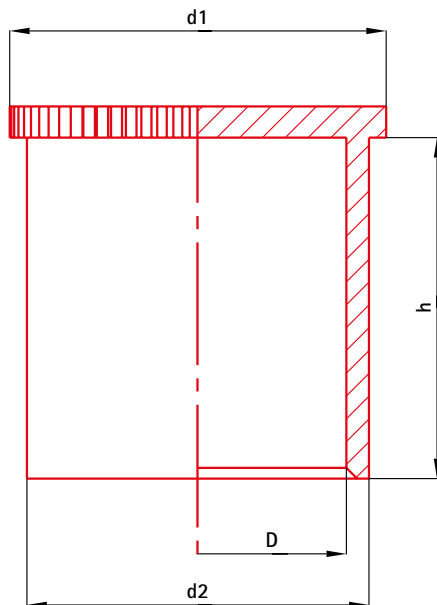


Abb. Ausführung: R 1000 PE ro. Sondermaterialien und -farben siehe Sonderbestellschlüssel | Fig. Model: R 1000 PE ro. Please see the key for special orders for further materials and colours.

Für den Schutz von Außengewinden mit Zollabmessung stehen nun Rändelkappen zur Verfügung. Neben der bekannten Ausführung in LDPE sind diese Rändelkappen auch in TPE erhältlich.

To protect threaded bolts, shaft extensions or pipe ends with BSP thread a new range of knurled caps in standard material LDPE and also in TPE is available.



Sonderbestellschlüssel | Key for special orders

Artikel Article	Material Material	Farbe Colour
R 1000	PE	ro
	Standardmaterial LD-PE	rot ro
	Andere Materialien auf Anfrage	gelb ge
		grün gn
	Standard material LD-PE	red ro
	Other materials on request	yellow ge
		green gn

Standardausführung natur | Standard model neutral

Artikel Article	für Außendurchmesser for outer diameter	für Rohrgewinde nach DIN 2999, DIN 3858 und ISO 228 for BSP Threads acc. to DIN 2999, DIN 3858 and ISO 228	Maße in mm Dimensions in mm		
	D		h	d1	d2
R 125	9,5	G 1/8	8	12,5	11,2
R 250	12,8	G 1/4	12	16,5	14,9
R 375	16,3	G 3/8	12	19,8	18,5
R 500	20,5	G 1/2	14	24,5	22,5
R 750	26,0	G 3/4	16	30,5	28,4
R 1000	32,8	G 1	18	37,2	35,2
R 1250	41,5	G 1 1/4	20	46,0	44,0
R 1500	47,3	G 1 1/2	22	52,5	50,3
R 2000	59,0	G 2	24	65,0	62,0

Angaben zu Werkstoffen, Farben, chemischer Beständigkeit und Fertigungstoleranzen nach DIN 16742 finden Sie in dem Kapitel „Technische Hinweise“.
Please see our separate "Technical Details" brochure for information on materials, colours, chemical resistance and manufacturing tolerances in line with DIN 16742.

Technische Änderungen vorbehalten.
Subject to technical alteration.

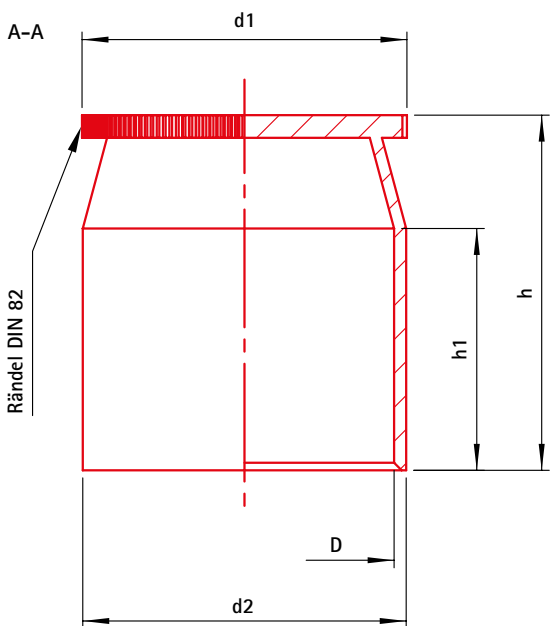
RÄNDELKAPPEN FÜR UNF-GEWINDE |
KNURLED CAPS FOR UNF THREADS



Abb. Ausführung: RU 11 PE ro. Sondermaterialien und -farben siehe Sonderbestellschlüssel | Fig. Model: RU 11 PE ro. Please see the key for special orders for further materials and colours.

Kiba Rändelkappen für UNF-Gewinde dienen zum einen zum Schutz von Gewindebolzen und Wellenenden mit UNF-Außengewinden. Zum anderen ermöglichen sie durch ihre schlanke Bauform die Montage von Armaturen mit Hilfe von Steckschlüsseln, ohne die Kappe für die Schraubarbeiten demontieren zu müssen. Gleichzeitig bleibt die Griffigkeit eines Rändels zur leichten Demontage aber das herausragende Merkmal dieser Kappe. Die Standardausführung der Kiba-Rändelkappe für UNF-Gewinde ist PE, naturfarben. Sonderausführungen in Material und Farbe entnehmen Sie bitte dem Sonderbestellschlüssel. Die angegebenen Anwendungsfälle sind Empfehlungen, der Einsatz liegt im Ermessen des Anwenders. Es empfiehlt sich, die Eignung durch Versuche zu überprüfen. Hierfür stellen wir Ihnen gerne Muster zur Verfügung. Zusätzliche Informationen erhalten Sie auf Anfrage.

Kiba knurled caps for UNF threads serve to protect threaded bolts and shaft ends with outer UNF threads on the one hand. On the other hand, due to their slim construction they allow the assembly of fittings with socket drivers without dismounting the cap. The grip of the knurled top end is in parallel still the outstanding feature of this cap. Standard Kiba knurled caps for UNF threads are made of LD-PE and are neutral in colour. Please see the key for special orders for details of further stopper materials and colours. The mentioned applications are merely recommendations; actual use of the stoppers is at the discretion of the respective user. It is suggested that stoppers are tested for suitability for a given purpose, for which we will gladly provide samples. Additional information may be obtained on request.



Sonderbestellschlüssel | Key for special orders

Artikel Article	Material Material	Farbe Colour
RU 11	PE	ro
	Standardmaterial LD-PE	rot ro
	Anderer Materialien auf Anfrage	gelb ge
		grün gn
	Standard material LD-PE	red ro
	Other materials on request	yellow ge
		green gn

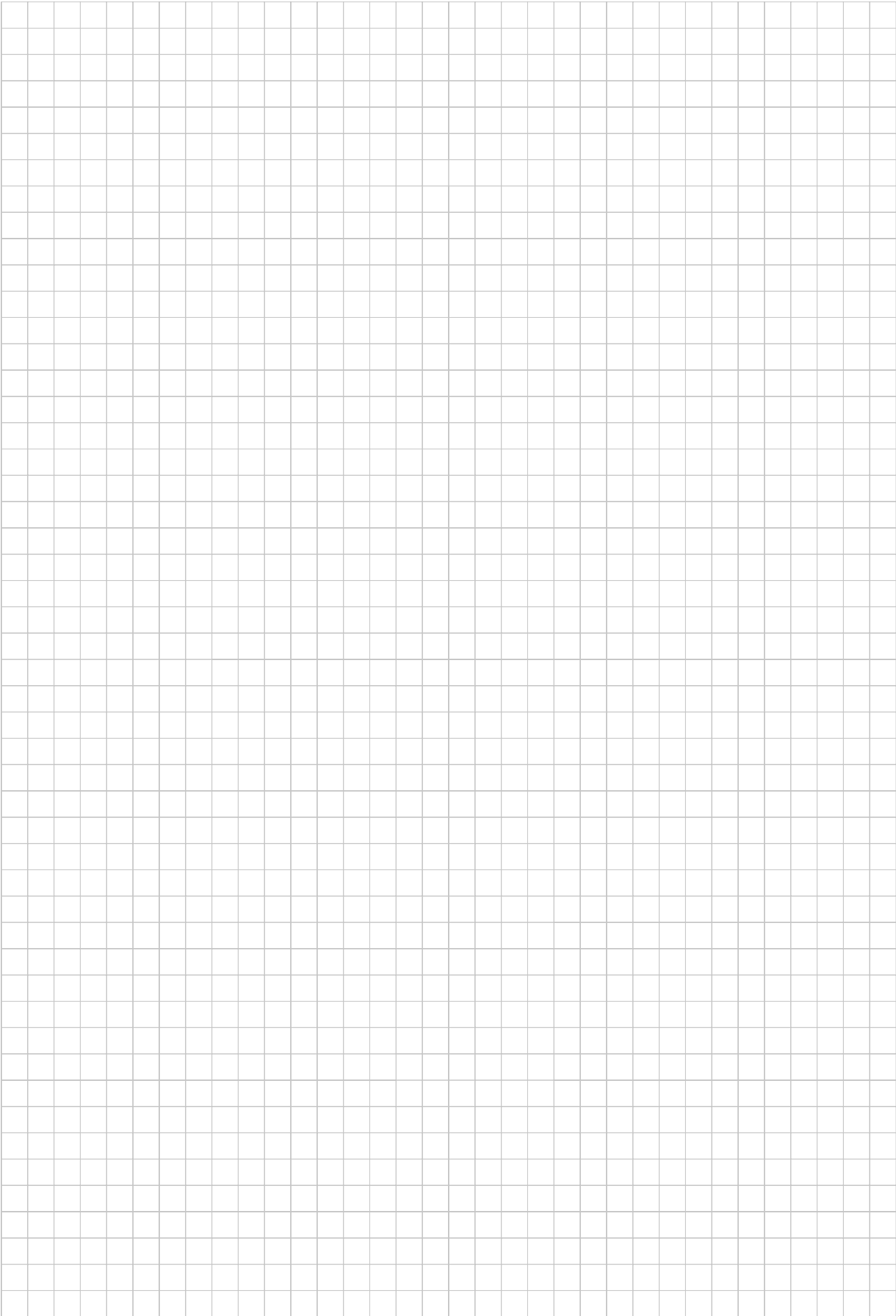
Standardausführung natur | Standard model neutral

Artikel Article	für UNF-Gewinde for UNF threads	Maße in mm Dimensions in mm			
	D	h	h1	d1	d2
RU 7	7/16"		12	15,1	12,4
RU 9	9/16"	15,5	11	16,5	15,5
RU 11	11/16"	17,6	13	19,3	19,3
RU 13	13/16"	23,5	16	21,5	21,4
RU 16	1"	23,5	16	26,8	26,5

Angaben zu Werkstoffen, Farben, chemischer Beständigkeit und Fertigungstoleranzen nach DIN 16742 finden Sie in dem Kapitel „Technische Hinweise“. Please see our separate "Technical Details" brochure for information on materials, colours, chemical resistance and manufacturing tolerances in line with DIN 16742.

Technische Änderungen vorbehalten. Subject to technical alteration.





SECHSKANT-KAPPEN | HEXAGON CAPS



Kiba Sechskant-Kappen dienen dem Schutz von Sechskant-Überwurfmuttern und schützen gleichzeitig sicher die Schlauchenden von Hydraulikleitungen vor Verschmutzungen. Der Bund mit Rändelung erleichtert die Demontage.

Die Standardausführung der Sechskant-Kappe ist PE, naturfarben. Sonderausführungen in Material und Farbe entnehmen Sie bitte dem Sonderbestellschlüssel.

Die angegebenen Anwendungsfälle sind Empfehlungen, der Einsatz liegt im Ermessen des Anwenders. Es empfiehlt sich, die Eignung durch Versuche zu überprüfen. Hierfür stellen wir Ihnen gerne Muster zur Verfügung.

Zusätzliche Informationen erhalten Sie auf Anfrage.

Kiba Hexagon caps are used to protect hexagon union nuts and at the same time secure the hose ends of hydraulic lines against pollution. The edge on the top end ensures an easy removal of the cap.

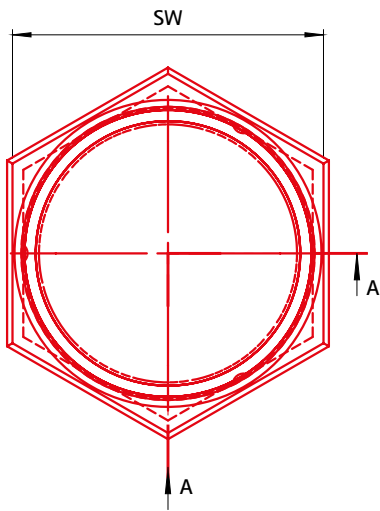
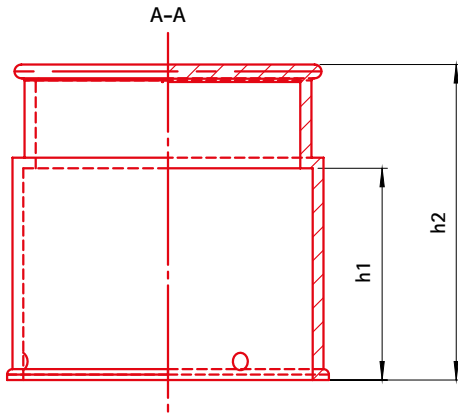
Standard Kiba Hexagon caps are made of LD-PE and are neutral in colour. Please see the key for special orders for details of further stopper materials and colours.

The mentioned applications are merely recommendations; actual use of the stoppers is at the discretion of the respective user. It is suggested that stoppers are tested for suitability for a given purpose, for which we will gladly provide samples.

Additional information may be obtained on request.



Abb. Ausführung: 6K 17 PE ro. Sondermaterialien und -farben siehe Sonderbestellschlüssel | Fig. Model: 6K 17 PE ro. Please see the key for special orders for further materials and colours.



Sonderbestellschlüssel | Key for special orders

Artikel Article	Material Material	Farbe Colour
6K 17	PE	ro
	Standardmaterial LD-PE Andere Materialien auf Anfrage	rot gelb grün
	Standard material LD-PE Other materials on request	red yellow green

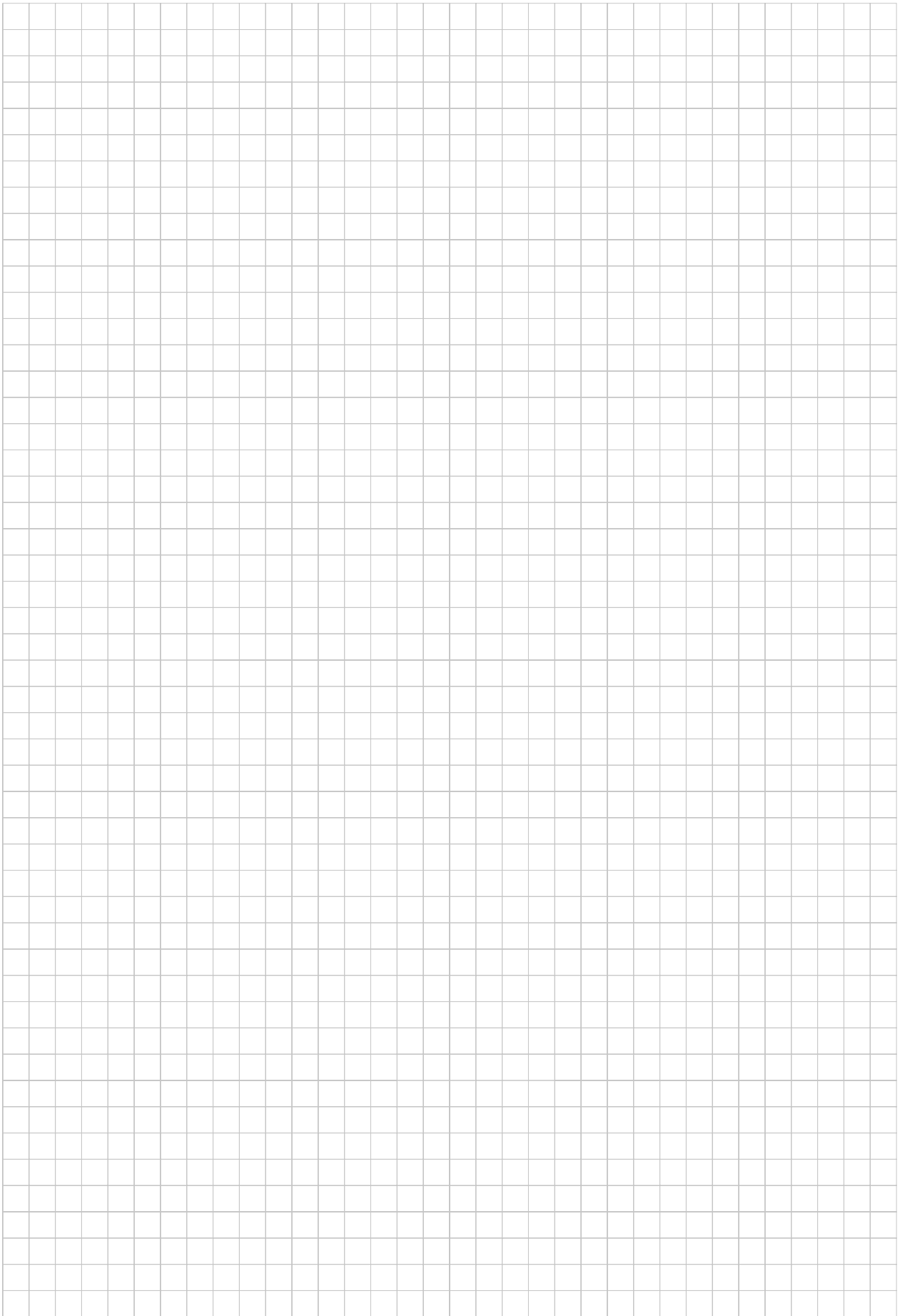
Standardausführung natur | Standard model neutral

Artikel Article	Schlüsselweite Schlüsselweite		Maße in mm Dimensions in mm	
	SW		h1	h2
6K 17	17	16	24,3	
6K 19	19	17	25,3	
6K 22	22	18	26,3	
6K 24	24	20	29,3	
6K 27	27	20	29,8	
6K 30	30	25	36	

Angaben zu Werkstoffen, Farben, chemischer Beständigkeit und Fertigungstoleranzen nach DIN 16742 finden Sie in dem Kapitel „Technische Hinweise“.
Please see our separate "Technical Details" brochure for information on materials, colours, chemical resistance and manufacturing tolerances in line with DIN 16742.

Technische Änderungen vorbehalten.
Subject to technical alteration.





MEHRZWECKSTOPFEN | MULTI-PURPOSE STOPPERS



Bedingt durch die Konizität, bieten sich Kiba-Mehrzweckstopfen für eine Vielzahl von Anwendungsfällen an. Sie sind für das Verschließen von Bohrungen ebenso geeignet, wie für den Schutz von Außengewinden und Wellenenden.

Die Standardausführung der Kiba-Mehrzweckstopfen ist PE, gelb. Sonderausführungen in Material und Farbe entnehmen Sie bitte dem Sonderbestellschlüssel.

Die angegebenen Anwendungsfälle sind Empfehlungen, der Einsatz liegt im Ermessen des Anwenders. Es empfiehlt sich, die Eignung durch Versuche zu überprüfen. Hierfür stellen wir Ihnen gerne Muster zur Verfügung.

Zusätzliche Informationen erhalten Sie auf Anfrage.

Due to their conic shape, Kiba multi-purpose stoppers are suitable for a variety of applications. They are equally ideal for closing boreholes as for protecting male threads and shaft extensions.

Standard Kiba multi-purpose stoppers are made of LD-PE and are yellow in colour. Please see the key for special orders for details of further stopper materials and colours.

The mentioned applications are merely recommendations; actual use of the stoppers is at the discretion of the respective user. It is suggested that stoppers are tested for suitability for a given purpose, for which we will gladly provide samples.

Additional information may be obtained on request.

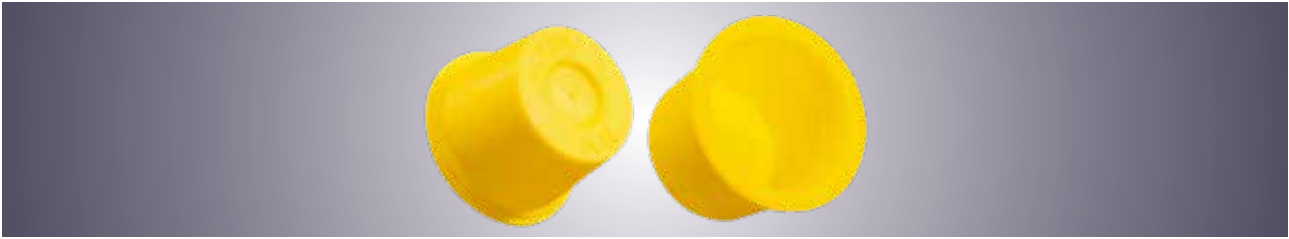
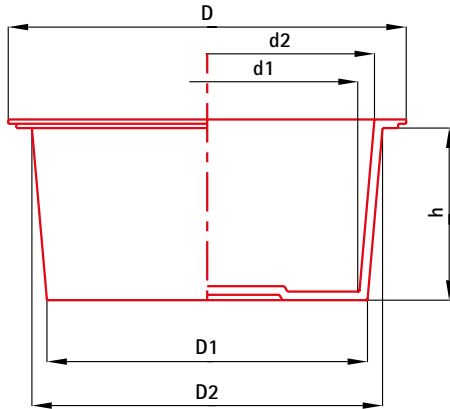


Abb. Ausführung: M 13 PE ge. Sondermaterialien und -farben siehe Sonderbestellschlüssel | Fig. Model: M 13 PE ge. Please see the key for special orders for further materials and colours.



Sonderbestellschlüssel | Key for special orders

Artikel Article	Material Material	Farbe Colour
M 15	PE	ro
	Standardmaterial LD-PE	natur
	Andere Materialien auf Anfrage	rot
		grün
	Standard material LD-PE	nature
	Other materials on request	red
		green

Standardausführung gelb | Standard model yellow

Artikel Article	Innenanwendung metrisches Gewinde For use with female metric threads		Innenanwendung Rohrgewinde For use with female pipe threads		Außenanwendung metrisches Gewinde For use with female metric threads		Außenanwendung Rohrgewinde For use with female pipe threads		Maße in mm Dimensions in mm					
	D	D1	D2	h	d1	d2								
M 01	M 6	M 6x0,5			M 4	M 4x0,5			10	4,4	6,2	10	2,8	4,6
M 02	M 8	M 8x1			M 5 / M 6	M 5x0,5			11	6	7,8	10	4,4	6,2
M 03	M 10								13	7,6	9,4	10	6	7,8
M 04		M 10x1	G 1/8		M 8	M 8x1			14	8,4	10,2	10	6,8	8,6
M 05	M 12								14	9,2	11	10	7,5	9,3
M 06*		M 12x1,5				M 10x1			15	9,9	11,7	10	8,3	10,1
M 07	M 14				M 10		G 1/8		16	10,6	12,4	10	9	10,8
M 08*		M 14x1,5	G 1/4						17	11,3	13,1	10	9,5	11,2
M 09					M 12	M 12x1,5			18	12	14,1	12	10,4	12,5
M 10	M 16								18	12,5	14,6	12	11,2	13,3
M 11*		M 16x1,5					G 1/4		19	13,5	15,6	12	11,9	14
M 12	M 18		G 3/8		M 14	M 14x1,5			19	14	16,1	12	12,4	14,5
M 13									21	14,7	17	13	13,2	15,5
M 14	M 20				M 16	M 16x1,5			22	16,3	18,6	13	14,7	17
M 15		M 20x1,5					G 3/8		22	17,1	19,4	13	15,5	17,8
M 16			G 1/2		M 18	M 18x1,5			24	17,5	20,1	15	15,9	18,5
M 17	M 22	M 20x1							25	18,4	21	15	16,8	19,4
M 18*	M 24	M 22x1,5							25	19	21,6	15	17,4	20
M 19		M 22x1	G 5/8		M 20	M 20x1,5			27	20,4	23,2	17	18,8	21,6
M 20		M 24x1,5					G 1/2		28	20,7	23,5	16	19,1	21,9
M 21					M 22	M 22x1,5			29	22	24,8	16	20,4	23,2
M 22		M 26x1,5	G 3/4		M 24	M 24x2,5	G 5/8		30	23,2	26,3	18	21,2	24,4
M 23	M 30								32	24,5	27,8	19	22,9	26,2
M 24*		M 28x1,5				M 26x1,5	G 3/4		33	25,2	29,2	19	23,7	27,7
M 24a		M 30x1							33	26,4	30,4	19	24,9	28,9

Angaben zu Werkstoffen, Farben, chemischer Beständigkeit und Fertigungstoleranzen nach DIN 16742 finden Sie in dem Kapitel „Technische Hinweise“.
Please see our separate "Technical Details" brochure for information on materials, colours, chemical resistance and manufacturing tolerances in line with DIN 16742.

Technische Änderungen vorbehalten.
Subject to technical alteration.

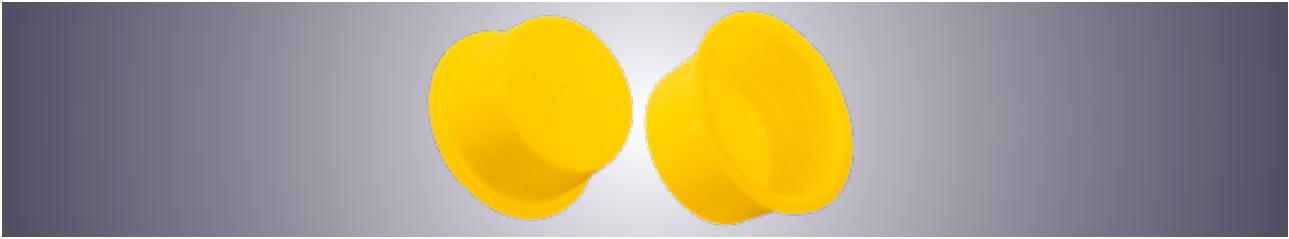
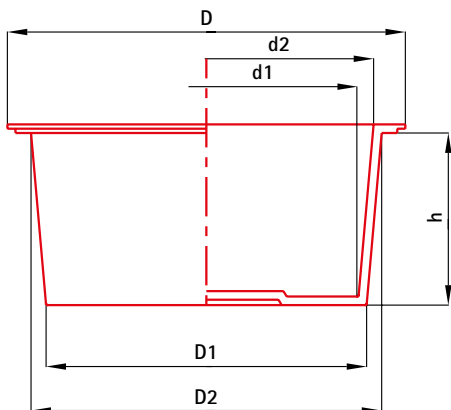


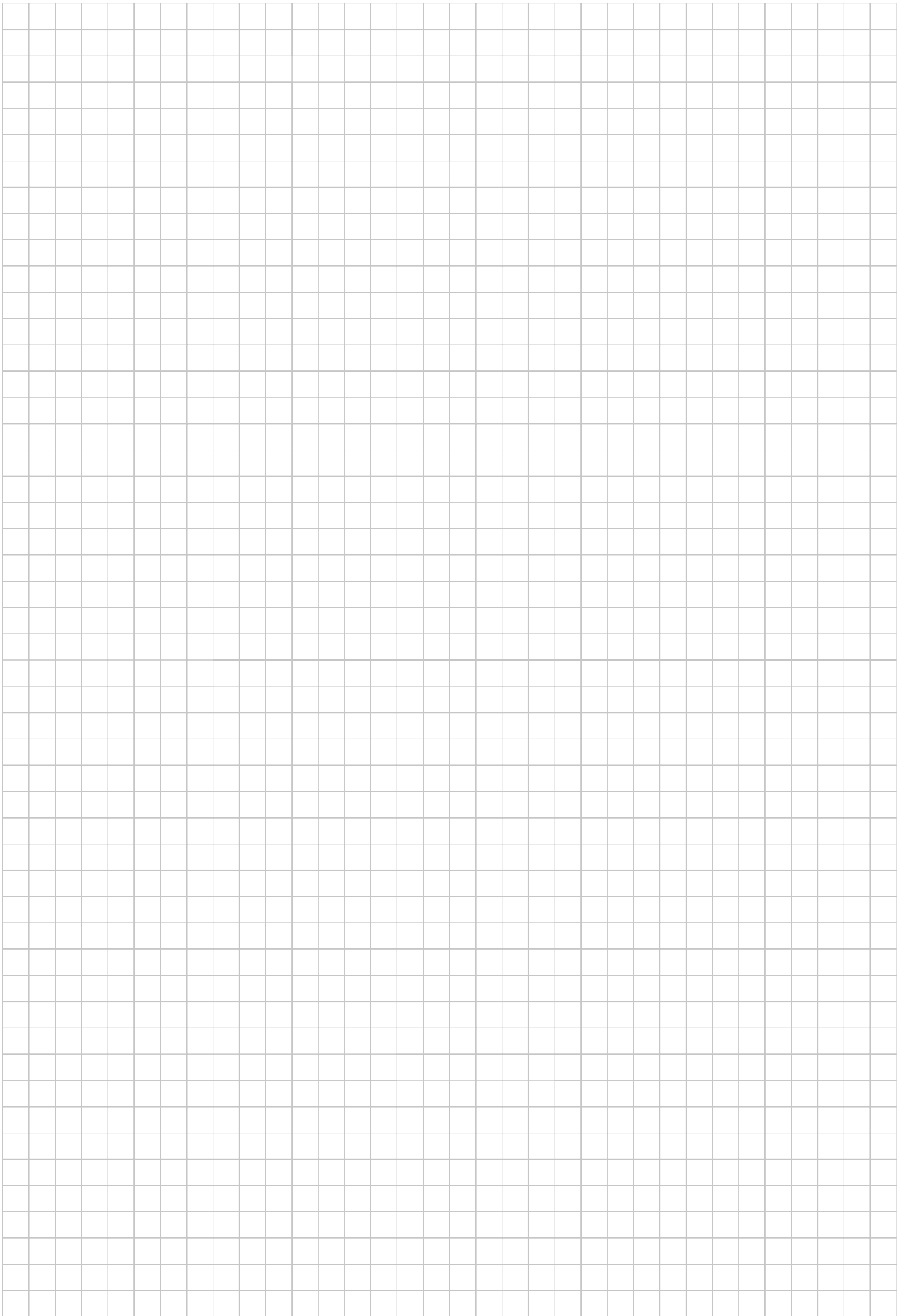
Abb. Ausführung: M 21 PE ge. Sondermaterialien und -farben siehe Sonderbestellschlüssel | Fig. Model: M 21 PE ge. Please see the key for special orders for further materials and colours.

Artikel Article	Innenanwendung metrisches Gewinde For use with female metric threads		Innenanwendung Rohrgewinde For use with female pipe threads		Außenanwendung metrisches Gewinde For use with female metric threads		Außenanwendung Rohrgewinde For use with female pipe threads		Maße in mm Dimensions in mm					
									D	D1	D2	h	d1	d2
M 25*	M 33	M 30x1,5				M 28x1,5			35	27,8	31,1	19	26,2	29,5
M 26*	M 36	M 32x1,5	G 1		M 30	M 30x1,5			37	29,8	32,6	16	28,3	31,1
M 27					M 33	M 32x1,5			38	31,4	35,1	21	29,7	33,4
M 28		M 36x1,5	G 1 1/8				G 1		41	33,3	37,1	22	31,7	35,5
M 29*	M 42	M 40x1,5			M 36	M 38x1,5	G 1 1/8		45	36,7	40,5	22	35,2	39
M 29a		M 42x2	G 1 1/4						45	38,4	40,7	13	36,9	39,2
M 30	M 45					M 40x1,5			48	38,2	43	23	36,6	41,4
M 31*	M 48	M 42x1,5	G 1 3/8						48	39,6	42,9	19	38	41,9
M 32		M 45,1,5			M 42	M 42x1,5	G 1 1/4		49	41,4	44,7	19	39,7	43
M 33	M 52		G 1 1/2		M 45		G 1 3/8		51	44,4	47,7	19	42,8	46,1
M 34		M 48x1,5							54	45,2	49,6	25	43,6	48
M 35	M 56				M 48	M 48x1,5	G 1 1/2		55	46,6	51	25	45,2	49,6
M 36	M 60		G 1 3/4			M 52x1,5	G 1 3/4		62	52,5	56,9	25	50,8	55,2
M 37	M 64								65	54	59,3	25	52,5	57,8
M 38			G 2						65	54,2	58,6	25	52,6	57
M 39*	M 68	M 60x1,5				M 60x1,5	G 2		67	58,4	62,8	25	56,7	61,1
M 40		M 64x1,5	G 2 1/4			M 62x1,5			71	60,7	67,1	29	59	64,3
M 41		M 70x1,5							75	67,1	70,4	19	65,4	68,7
M 42		M 75x1,5	G 2 1/2			M 72x1,5			83	72,4	75,7	19	70,8	74,1
M 43			G 3						92	84,5	87,8	19	82,4	85,7

Angaben zu Werkstoffen, Farben, chemischer Beständigkeit und Fertigungstoleranzen nach DIN 16742 finden Sie in dem Kapitel „Technische Hinweise“. Technische Änderungen vorbehalten.
Please see our separate "Technical Details" brochure for information on materials, colours, chemical resistance and manufacturing tolerances in line with DIN 16742. Subject to technical alteration.

* auf Anfrage | on demand







Kiba-Laschenstopfen dienen dem Verschluss von Gewindebohrungen. Die seitlich angebrachte Lasche ermöglicht eine schnelle und leichte Demontage.

Die Standardausführung der Kiba-Laschenstopfen ist PE, rot. Sonderausführungen in Material und Farbe entnehmen Sie bitte dem Sonderbestellschlüssel.

Die angegebenen Anwendungsfälle sind Empfehlungen, der Einsatz liegt im Ermessen des Anwenders. Es empfiehlt sich, die Eignung durch Versuche zu überprüfen. Hierfür stellen wir Ihnen gerne Muster zur Verfügung.

Zusätzliche Informationen erhalten Sie auf Anfrage.

Kiba lug stoppers serve to close threaded holes. The side-ways tag enables quick and easy removal.

Standard Kiba lug stoppers are made of LD-PE and are red in colour. Please see the key for special orders for details of further stopper materials and colours. We will be happy to provide additional information upon request.

The mentioned applications are merely recommendations; actual use of the stoppers is at the discretion of the respective user. It is suggested that stoppers are tested for suitability for a given purpose, for which we will gladly provide samples.

Additional information may be obtained on request.

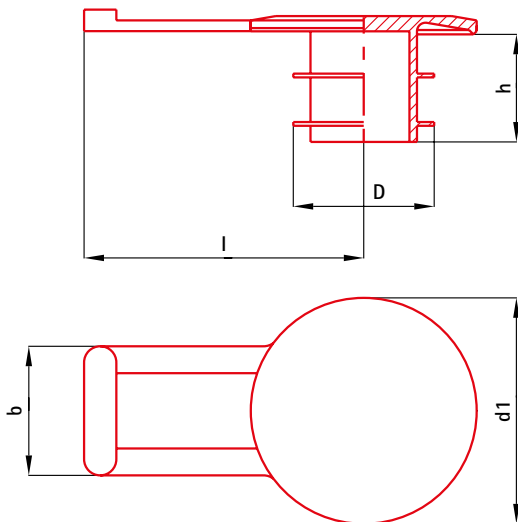
LASCHENSTOPFEN MIT LAMELLENFORM | FIN LUG STOPPERS



Abb. Ausführung: LL M22x1,5 PE ro. Sondermaterialien und -farben siehe Sonderbestellschlüssel | Fig. Model: LL M22x1,5 PE ro. Please see the key for special orders for further materials and colours.

Die Laschenstopfen LL mit Lamellen sind für einen festen Sitz im Gewinde geeignet. Die Lamellen überbrücken auch größere Fertigungstoleranzen. Eine umlaufende Dichtkante verschließt die Bohrung zuverlässig gegen Schmutz. Die Anwendung bei Rohrgewinde und SAE-Gewinde ist möglich. Wir empfehlen hierzu Einbauversuche und stellen Ihnen gerne Muster zur Verfügung.

Kiba LL fin lug stoppers are designed to ensure a firm fit in the threaded hole. The fin stoppers are even suitable in the event of greater manufacturing tolerances. A continuous sealing lip closes the bore hole reliably against soiling. Lug stoppers are also suitable for pipe and SAE threads. We recommend you trying these out by yourself, for which we will be happy to provide samples.



Sonderbestellschlüssel | Key for special orders

Artikel Article	Material Material	Farbe Colour
LL M5	PE	ro
Standardmaterial		rot ro
LD-PE	PE	natur na
Andere Materialien auf Anfrage		blau bl
		gelb ge
Standard material		red ro
LD-PE	PE	natural na
Other materials on request		blue bl
		yellow ge

Standardausführung rot | Standard model red

Artikel Article	Maße in mm Dimensions in mm				
	D	d1	h	l	b
LL M5	4,7	9,0	5,5	16,6	5,0
LL M10x1	9,5	16,0	8,0	23,5	12,0
LL M12x1,5	11,1	19,0	8,0	25,0	12,0
LL M14x1,5	13,1	21,0	10,0	26,0	12,0
LL M16x1,5	15,1	24,0	11,0	28,5	14,0
LL M18x1,5	17,2	25,5	11,0	27,0	14,0
LL M22x1,5	21,5	29,0	11,5	31,0	14,0
Für Rohrgewinde nach DIN ISO 228-1, DIN 2999 und DIN 3858 For pipe threads to DIN ISO 228-1, DIN 2999 and DIN 3858					
LL G1/8	9,5	16,0	8,0	23,5	12,0
LL G1/4	12,8	20,0	10,0	25,0	12,0
LL G3/8	16,3	24,0	11,0	28,5	14,0

Angaben zu Werkstoffen, Farben, chemischer Beständigkeit und Fertigungstoleranzen nach DIN 16742 finden Sie in dem Kapitel „Technische Hinweise“.
Please see our separate "Technical Details" brochure for information on materials, colours, chemical resistance and manufacturing tolerances in line with DIN 16742.

Technische Änderungen vorbehalten.
Subject to technical alteration.

LASCHENSTOPFEN FÜR HYDRAULIKVERSCHRAUBUNGEN | LUG STOPPERS FOR COMPRESSION FITTINGS

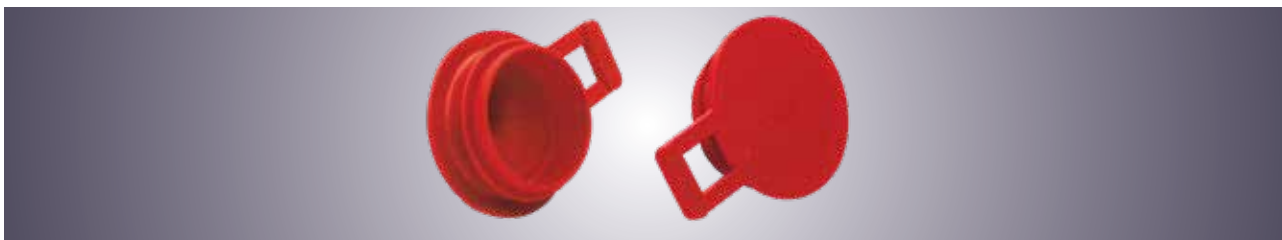
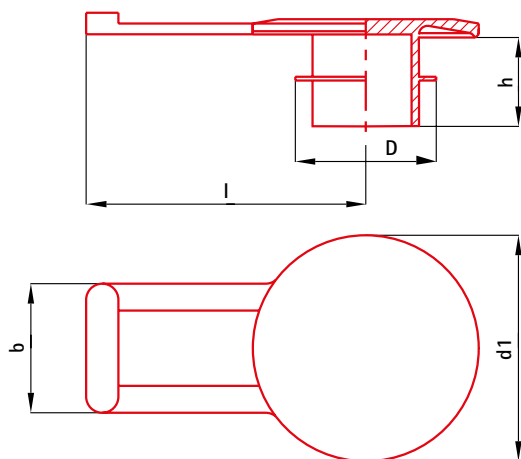


Abb. Ausführung: LH M30x2 PE ro. Sondermaterialien und -farben siehe Sonderbestellschlüssel | Fig. Model: LH M30x2 PE ro. Please see the key for special orders for further materials and colours.

Kiba-Laschenstopfen LH dienen dem Verschluss von Überwurfmutter an Hydraulikverschraubungen. Die seitlich angebrachte Lasche ermöglicht eine schnelle und leichte Demontage. Der Laschenstopfen LH ist so konzipiert, dass durch eine Lamelle ein fester Sitz im Gewinde der Überwurfmutter gewährleistet ist. Der Innendurchmesser ist über den DKO-Dichtkegel oder Schneidringanschluss montierbar.

Kiba lug stoppers LH serve to protect hydraulic couplings. The sideway tag enables a quick and easy removal. Kiba LH fin lug stoppers are designed to ensure a firm fit in swivel nuts of hydraulic fittings. The stopper could be easily mounted over the inside 24°- cone or cutting ring.



Sonderbestellschlüssel | Key for special orders

Artikel Article	Material Material	Farbe Colour
LH M30x2	PE	ro
	Standardmaterial PE	rot ro gelb ge grün gn blau bl natur na
	Standard material LD-PE	red ro yellow ge green gn blue bl natural na

Standardausführung rot | Standard model red

Artikel Article	Maße in mm Dimensions in mm	D	d1	h	l	b
	für DKO-Verschraubung for fitting DKO					
LH M12x1,5	6L	11,8	16	7	18	12
LH M14x1,5	8L	13,8	19	7	19,5	12
LH M16x1,5	10L	15,8	21,5	7	23	14
LH M18x1,5	12L	17,8	25	7,5	25	14
LH M20x1,5	14L	19,8	27	7,5	26	14
LH M22x1,5	16L	21,8	29	7,5	31	14
LH M24x1,5	18L	23,8	30	7,5	31	14
LH M26x1,5	20L	25,8	32	8	31	14
LH M30x2	22L	29,5	35	10	31,5	14
LH M36x2	28L	35,5	40	10	34	14
LH M42x2	34L	41,5	50	10	40	15
LH M45x2	35L	44,5	50	10	40	15
LH M52x2	42L	51,5	60	10	45	15
	Für Rohrgewinde nach DIN ISO 228-1, DIN 2999 und DIN 3858 For pipe threads to DIN ISO 228-1, DIN 2999 and DIN 3858					
LH G1/4		13,0	19,0	7,0	19,5	12,0
LH G3/8		16,3	21,5	7,0	23,0	14,0
LH G1/2		20,6	27,0	7,5	26,0	14,0
LH G3/4		25,8	32,0	8,0	31,0	14,0
LH G1		32,5	40,0	10,0	34,0	14,0

Angaben zu Werkstoffen, Farben, chemischer Beständigkeit und Fertigungstoleranzen nach DIN 16742 finden Sie in dem Kapitel „Technische Hinweise“.
Please see our separate "Technical Details" brochure for information on materials, colours, chemical resistance and manufacturing tolerances in line with DIN 16742.

Technische Änderungen vorbehalten.
Subject to technical alteration.

LASCHENSTOPFEN MIT BALLIGER FORM | ROUNDED LUG STOPPERS

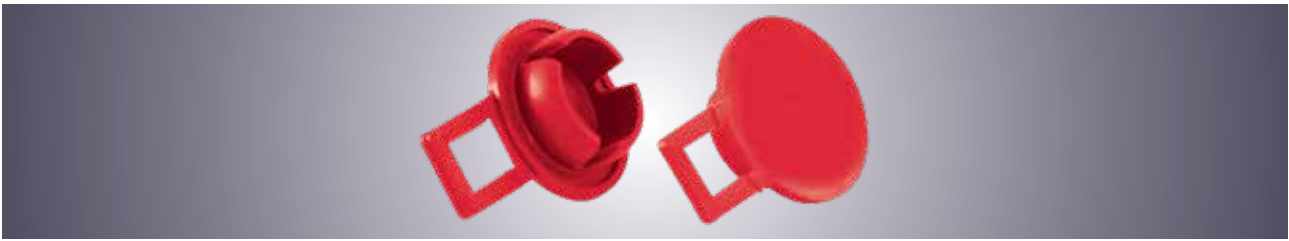
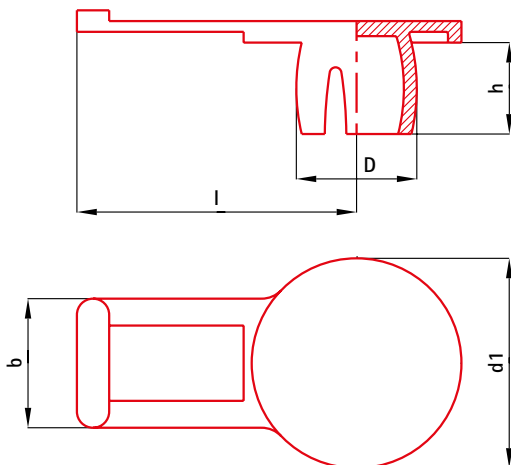


Abb. Ausführung: LB M22x1,5 PE ro. Sondermaterialien und -farben siehe Sonderbestellschlüssel | Fig. Model: LB M22x1,5 PE ro. Please see the key for special orders for further materials and colours.

Die ballige Form LB mit balligem Zapfen ermöglicht ein abriebarmes Klemmen im Gewinde. Eine umlaufende Dichtkante verschließt die Bohrung zuverlässig gegen Schmutz. Wir empfehlen hierzu Einbauversuche. Hierfür stellen wir Ihnen gerne Muster zur Verfügung.

Thanks to their rounded shape, or rather rounded plug, these stoppers (LB) ensure low-abrasion closure of threaded holes. The stopper also features a continuous sealing lip, which seals the bore hole reliably against soiling. We recommend you try these out yourself, for which we will be happy to provide samples.



Sonderbestellschlüssel | Key for special orders

Artikel Article	Material Material	Farbe Colour
LB M22x1,5	PE	ro
Standardmaterial LD-PE Andere Materialien auf Anfrage	PE	rot ro blau bl
Standard material LD-PE Other materials on request	PE	red ro blue bl

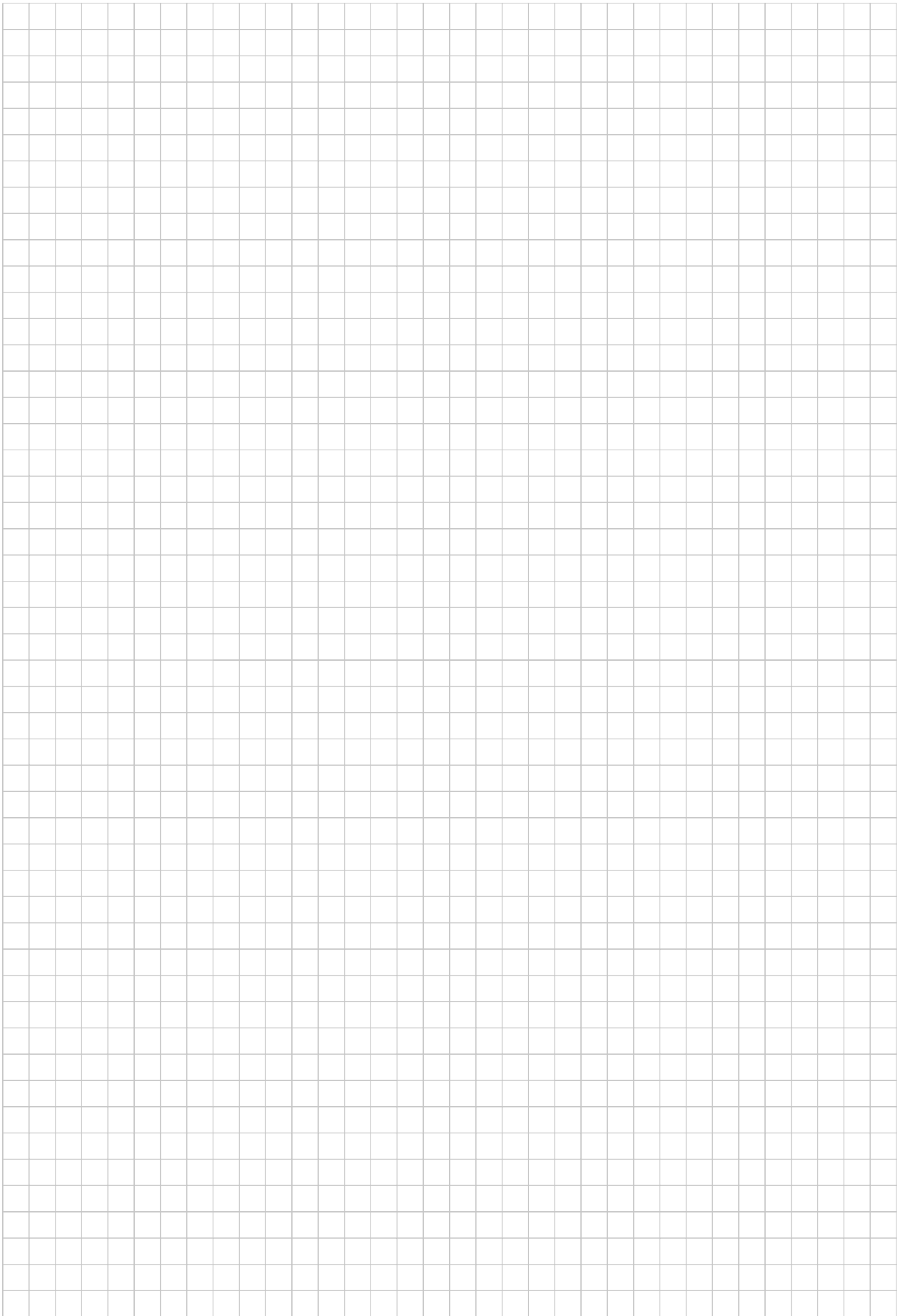
Standardausführung rot | Standard model red

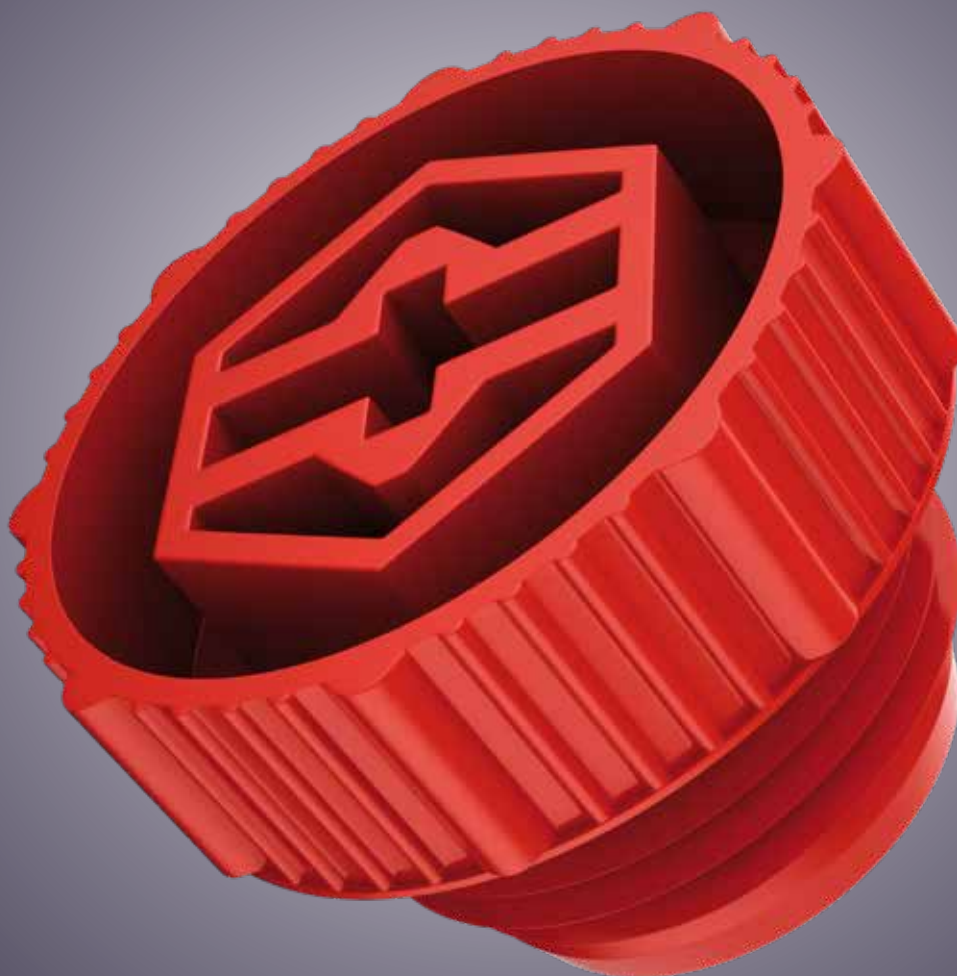
Artikel Article	Maße in mm Dimensions in mm		h	l	b
	D	d1			
LB M10x1	9,5	16,5	8,5	26,5	12,0
LB M12x1,5	11,2	19,5	8,5	26,5	12,0
LB M14x1,5	13,4	21,5	7,0	27,0	12,0
LB M16x1,5	15,2	23,5	8,0	27,0	12,0
LB M22x1,5	21,7	29,5	8,0	31,0	14,0

Angaben zu Werkstoffen, Farben, chemischer Beständigkeit und Fertigungstoleranzen nach DIN 16742 finden Sie in dem Kapitel „Technische Hinweise“.
Please see our separate "Technical Details" brochure for information on materials, colours, chemical resistance and manufacturing tolerances in line with DIN 16742.

Technische Änderungen vorbehalten.
Subject to technical alteration.







Kiba-Schraubstopfen mit Gewinde werden zum Verschließen von metrischen Gewinden und Rohrgewinden eingesetzt. Kiba-Schraubstopfen schützen das Gewinde vor eindringenden Fremdstoffen und dichten dabei innerhalb gewisser Grenzen ab.

Die Standardausführung der Kiba-Schraubstopfen ist PP, rot. Sonderausführungen in Material und Farbe entnehmen Sie bitte dem Sonderbestellschlüssel.

Die angegebenen Anwendungsfälle sind Empfehlungen, der Einsatz liegt im Ermessen des Anwenders. Es empfiehlt sich, die Eignung durch Versuche zu überprüfen. Hierfür stellen wir Ihnen gerne Muster zur Verfügung.

Zusätzliche Informationen erhalten Sie auf Anfrage.

Kiba threaded screw stoppers, which perform a certain sealing function, are used to close metric threads and pipe threads as protection against foreign bodies.

Standard Kiba knurled caps are made of PP and are red in colour. Please see the key for special orders for details of further stopper materials and colours.

The mentioned applications are merely recommendations; actual use of the stoppers is at the discretion of the respective user. It is suggested that stoppers are tested for suitability for a given purpose, for which we will gladly provide samples.

Additional information upon request.

SCHRAUBSTOPFEN SL MIT GEWINDE | SCREW STOPPERS SL WITH THREAD



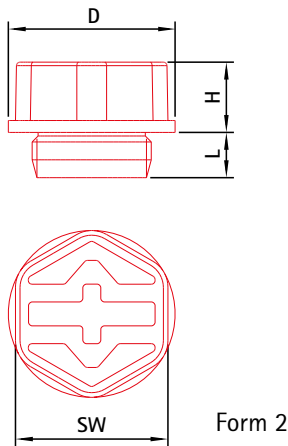
Abb. Ausführung: Form 2, SL M16x1,5 PP ro. Sondermaterialien und -farben siehe Sonderbestellschlüssel | Fig. Model: Form 2, SL M16x1,5 PP ro. Please see the key for special orders for further materials and colours.

Die Kiba-Schraubstopfen SL können einfach per Hand oder mit verschiedenen Werkzeugen montiert werden. Nutzen Sie Schlitz-, Kreuzschlitzschraubendreher oder eine Sechskantnuss zum sicheren Ein- und Ausschrauben.

Kiba screw stoppers SL can be easily mounted manually or with different tools. Use a slotted screwdriver, a Phillips screwdriver or a hexagon spanner head for safe screwing and unscrewing of the screw stoppers.

Die neu durchdachte Geometrie erleichtert das Einführen in die Gewindebohrung.

The newly designed geometry alleviates the insertion into the threaded hole.



Sonderbestellschlüssel | Key for special orders

Artikel Article	Material Material	Farbe Colour
SL M 16x1,5	PA6	SW
	Polyamid 6 PA6	schwarz sw
	Polyamid 6 PA6	black sw

Standardausführung rot | Standard model red

Artikel Article	Gewinde Thread	Maße in mm Dimensions in mm		H	SW	Form	
		D	L				
SL M 8x1*	M 8x1	12,5	8	6	10	2	
SL M 10x1	M 10x1	14,5	8	6	13		
SL M 12x1,5*	M 12x1,5	17,7	9	6	10	1	
SL M 14x1,5	M 14x1,5	18,7	9	6	10		
SL M 16x1,5	M 16x1,5	21,7	9	6	13		
SL M 18x1,5*	M 18x1,5	23,7	10	6	13		
SL M 20x1,5*	M 20x1,5	25,7	12	6	13		
SL M 22x1,5*	M 22x1,5	27,7	12	8	13		
SL M 24x1,5*	M 24x1,5	29,7	12	8	13		
SL M 26x1,5*	M 26x1,5	31,7	12	8	17		
SL G 1/8	G 1/8	14,5	8	6	13		2
SL G 1/4	G 1/4	18,7	10	6	10		
SL G 3/8*	G 3/8	22,7	10	6	13	1	
SL G 1/2*	G 1/2	26,7	12	8	13		
SL G 3/4*	G 3/4	32,7	12	8	17		
SL G 1*	G 1	39,7	14	8	19		
SL G 1 1/4*	G 1 1/4	49,7	14	10	19		

Angaben zu Werkstoffen, Farben, chemischer Beständigkeit und Fertigungstoleranzen nach DIN 16742 finden Sie in dem Kapitel „Technische Hinweise“.
Please see our separate "Technical Details" brochure for information on materials, colours, chemical resistance and manufacturing tolerances in line with DIN 16742. Technische Änderungen vorbehalten.
Subject to technical alteration.

* auf Anfrage | on demand

SCHRAUBSTOPFEN SK MIT VERKÜRZTEM GEWINDE | SCREW STOPPERS SK WITH SHORTENED THREAD



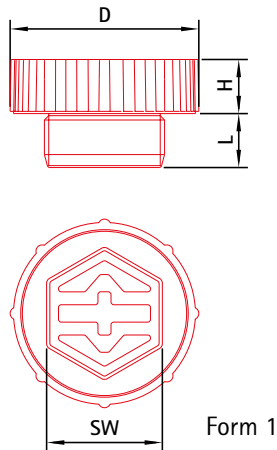
Abb. Ausführung: Form 1, SK M16x1,5 PP ro. Sondermaterialien und -farben siehe Sonderbestellschlüssel | Fig. Model: Form 1, SK M16x1,5 PP ro. Please see the key for special orders for further materials and colours.

Die Kiba-Schraubstopfen SK können einfach per Hand oder mit verschiedenen Werkzeugen montiert werden. Nutzen Sie Schlitz-, Kreuzschlitzschraubendreher oder eine Sechskantnuss zum sicheren Ein- und Ausschrauben.

Kiba screw stoppers SK can be easily mounted manually or with different tools. Use a slotted screwdriver, a Phillips screwdriver or a hexagon spanner head for safe screwing and unscrewing of the screw stoppers.

Die neu durchdachte Geometrie erleichtert das Einführen in die Gewindebohrung.

The newly designed geometry alleviates the insertion into the threaded hole.



Sonderbestellschlüssel | Key for special orders

Artikel Article	Material Material	Farbe Colour
SK M 16x1,5	PA6	SW
	Polyamid 6	schwarz sw
	Polyamid 6	black sw

Standardausführung rot | Standard model red

Artikel Article	Gewinde Thread	Maße in mm Dimensions in mm		H	SW	Form	
		D	L				
SK M 8x1*	M 8x1	12,5	4,0	6	10	2	
SK M 10x1	M 10x1	14,5	4,0	6	13		
SK M 12x1,5*	M 12x1,5	17,7	6,0	6	10	1	
SK M 14x1,5	M 14x1,5	18,7	6,0	6	10		
SK M 16x1,5	M 16x1,5	21,7	6,5	6	13		
SK M 18x1,5	M 18x1,5	23,7	7,0	6	13		
SK M 20x1,5*	M 20x1,5	25,7	7,0	6	13		
SK M 22x1,5*	M 22x1,5	27,7	7,0	8	13		
SK M 24x1,5*	M 24x1,5	29,7	7,0	8	13		
SK M 26x1,5*	M 26x1,5	31,7	7,0	8	17		
SK G 1/8*	G 1/8	14,5	4,0	6	13		2
SK G 1/4*	G 1/4	18,7	6,0	6	10		
SK G 3/8*	G 3/8	22,7	6,5	6	13	1	
SK G 1/2*	G 1/2	26,7	7,0	8	13		
SK G 3/4*	G 3/4	32,7	7,0	8	17		
SK G 1*	G 1	39,7	7,0	8	19		
SK G 1 1/4*	G 1 1/4	49,5	8,0	10	19		

Angaben zu Werkstoffen, Farben, chemischer Beständigkeit und Fertigungstoleranzen nach DIN 16742 finden Sie in dem Kapitel „Technische Hinweise“. Technische Änderungen vorbehalten.
Please see our separate "Technical Details" brochure for information on materials, colours, chemical resistance and manufacturing tolerances in line with DIN 16742. Subject to technical alteration.

* auf Anfrage | on demand

SCHRAUBSTOPFEN SL/SK | SCREW STOPPERS SL/SK



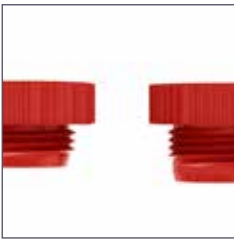
Einfach von Hand einzuschrauben. | Easily screwed in manually.



Schraubbarkeit durch griffige Oberfläche. | Fastening secured by maximum grip surface.



Schraubbar durch Sechskant, Schlitz- und Kreuzschlitzschraubendreher. | Mounted by using a hex screwdriver, slotted screwdriver and Phillips screwdriver.



Weniger Zeitaufwand durch verkürztes Gewinde bei den SK-Stopfen. | Less time needed owing to the shortened thread on SK screw stopper.



Mehr Sicherheit durch zusätzliche Dichtkante. | Increased safety owing to additional sealing edge.

NICHT EINFACH NUR EIN SCHRAUBSTOPFEN

Während der Entwicklung der Schraubstopfen-Serie SL und SK stand Effizienz ganz im Vordergrund. Ein Schraubstopfen muss schnell und einfach zu verarbeiten und sicher sein.

HANDLICH UND FLEXIBEL

Die Kiba-Schraubstopfen SL und SK können einfach per Hand oder mit verschiedenen Werkzeugen montiert werden. Nutzen Sie Schlitz-, Kreuzschlitzschraubendreher oder eine Sechskantnuss zum sicheren Ein- und Ausschrauben.

Die neu durchdachte Geometrie erleichtert das Einführen in die Gewindebohrung.

DICHT IST DICHT

Die zusätzliche Dichtkante unterhalb des Kopfes dichtet die Bohrung ab und verhindert das Ein- und Austreten von Flüssigkeiten und Schmutz.

BIS ZU 50 % ZEIT GESPART

Der auf 2,5 Gewindegänge reduzierte SK-Stopfen spart pro Stopfen etwa 1,3 Sekunden Einschraubzeit ohne die Funktion des Schraubstopfens zu beeinträchtigen. Bei 1000 von Hand verschraubten Stopfen sparen Sie bis zu 30 Minuten Montagezeit im Vergleich mit einem handelsüblichen Schraubstopfen.

BIS ZU 20% MATERIAL GESPART

Umweltschutz und das Effektive nutzen von Ressourcen ist für uns Selbstverständlich. Deshalb haben unsere Entwickler die Materialmasse pro Stopfen noch mal um bis zu 20% reduziert – ohne Einbußen der Stabilität. Das spart Material- und Transportkosten.

Das Standardmaterial Polypropylen (PP) garantiert den Einsatz der Kiba-Schraubstopfen über einen weiten Temperaturbereich. Für erhöhte Temperaturen und spezielle chemische Beständigkeiten stehen Ausführungen in Polyamid 6 (PA 6) und Polyamid 6.6 (PA 6.6) zur Verfügung.

Angaben zu Werkstoffen, Farben, chemischer/thermischer Beständigkeit und Fertigungstoleranzen nach DIN 16742 finden Sie in unserem separaten Prospekt „Technische Hinweise“.

NOT MERELY A SCREW STOPPER

The main focus was placed on efficiency during the development of the SL and SK screw stopper series. A screw stopper has to be quick and easy to use and safe.

MANAGEABLE AND FLEXIBLE

Kiba screw stoppers can be easily mounted manually or with different tools. Use a slotted screwdriver, a Phillips screwdriver or a hexagon spanner head for safe screwing and unscrewing of the screw stoppers.

The newly designed geometry alleviates the insertion into the threaded hole.

SEALED IS SEALED

The additional sealing edge under the head seals the borehole and prevents fluids and dirt from entering or leaking out.

A TIME SAVING OF UP TO 50 %

The SK screw stopper with a reduced thread pitch of 2.5 saves approximately 1.3 seconds screwing time per plugging action without influencing the function of the screw stopper. When 1.000 screw stoppers are mounted manually up to 30 minutes assembly time can be saved compared with the usage of screw stoppers that are commercially available.

A MATERIAL SAVING OF UP TO 20 %

The protection of the environment and the effective use of resources is for us a matter of course. For that reason our developers have reduced the amount of material required per screw stopper by up to 20 % without losing any stability. This saves material and transport costs.

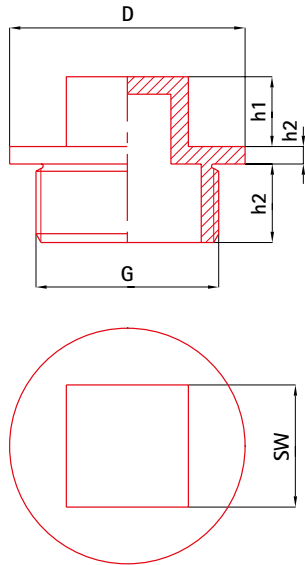
The standard material polypropylene (PP) guarantees the use of the Kiba screw stoppers over a wide range of temperatures. Types made of polyamide (PA 6) and polyamide 6.6 (PA 6.6) are available when temperatures are higher or when there are special chemical stabilities.

Details regarding material, colour, chemical and thermal stability and manufacturing tolerances in accordance with DIN 16742 can be found in our separate brochure "Technical Details".

SCHRAUBSTOPFEN SR | SCREW STOPPERS SR



Abb. Ausführung: SR 3/8 PA6 ro. Sondermaterialien und -farben siehe Sonderbestellschlüssel | Fig. Model: SR 3/8 PA6 ro. Please see the key for special orders for further materials and colours.



Sonderbestellschlüssel | Key for special orders

Artikel Article	Material Material	Farbe Colour
SR 1/4	PA6	SW
	Polypropylen Polyamid 6.6	PP PA6.6
		rot schwarz yellow
		ro sw ge
	Polypropylene Polyamid 6.6	PP PA6.6
		red black yellow
		ro sw ge

Standardausführung natur | Standard model neutral

Spezielle Konditionierverfahren für Schraubstopfen aus Polyamid sind gesondert zu vereinbaren | Special conditioning processes for screw stoppers made of polyamide are subject to separate agreement.

MIT GEWINDE NACH ISO 228 | WITH THREAD ACCORDING TO ISO 228

Artikel Article	ISO 228 Gewinde ISO 228 threads		Maße in mm Dimensions in mm					Kopfausführung Type of stopper top
	G		D	H	h1	h2	SW	
SR 1/8 VK	G 1/8		13,0	7,0	6,0	2,2	9,0	mit Außenvierkant square
SR 1/4 VK	G 1/4		16,0	7,0	6,0	2,0	11,0	mit Außenvierkant square
SR 3/8 VK	G 3/8		21,0	8,0	8,0	2,0	14,0	mit Außenvierkant square
SR 1/2 VK	G 1/2		27,0	9,0	8,0	2,0	14,0	mit Außenvierkant square
SR 3/4 VK	G 3/4		34,0	11,0	8,0	2,0	17,0	mit Außenvierkant square
SR 1 VK	G 1		41,0	11,0	8,0	2,0	19,0	mit Außenvierkant square
SR 1 1/4 VK	G 1 1/4		53,0	11,0	8,0	2,8	24,0	mit Außenvierkant square

Angaben zu Werkstoffen, Farben, chemischer Beständigkeit und Fertigungstoleranzen nach DIN 16742 finden Sie in dem Kapitel „Technische Hinweise“. | Please see our separate "Technical Details" brochure for information on materials, colours, chemical resistance and manufacturing tolerances in line with DIN 16742.

Technische Änderungen vorbehalten. | Subject to technical alteration.

MIT GEWINDE NACH DIN 13 | WITH THREAD ACCORDING TO DIN 13

Artikel Article	ISO 228 Gewinde ISO 228 threads		Maße in mm Dimensions in mm					Kopfausführung Type of stopper top
	G		D	H	h1	h2	SW	
SR M 8 LS	M 8		13,0	6,0		2,0		mit Längsschlitz slit
SR M 12 LS	M 12		17,0	10,0		10,0		mit Längsschlitz slit
SR M 14x1,5 VK	M 14x1,5		19,0	7,0	6,0	2,0	11,0	mit Außenvierkant square
SR M 22x1 VK	M 22x1		27,0	7,0	8,0	2,0	14,0	mit Außenvierkant square
SR M 22x1,5	M 22x1,5		27,0	7,0	8,0	2,0	14,0	mit Außenvierkant square

Angaben zu Werkstoffen, Farben, chemischer Beständigkeit und Fertigungstoleranzen nach DIN 16742 finden Sie in dem Kapitel „Technische Hinweise“. | Please see our separate "Technical Details" brochure for information on materials, colours, chemical resistance and manufacturing tolerances in line with DIN 16742.

Technische Änderungen vorbehalten. | Subject to technical alteration.

SCHRAUBSTOPFEN SR | SCREW STOPPERS SR



Abb. Standardausführung: SR M12 LS PP, natur
Sondermaterialien und -farben siehe Sonderbestellschlüssel |
Fig. Standard model: SR M12 LS PP, neutral
Please see the key for special orders for further materials and colours

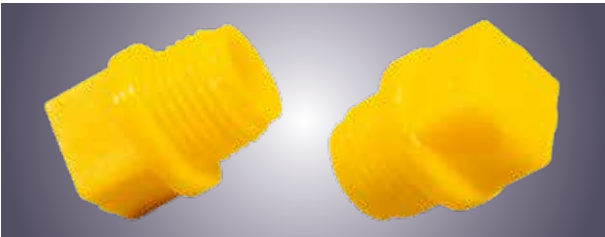


Abb. SR 1/4 VK PP ge
Standardausführung: PP, natur |
Fig. SR 1/4 VK PP ge
Standard model: PP, neutral

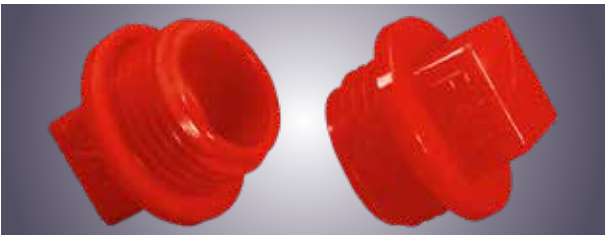
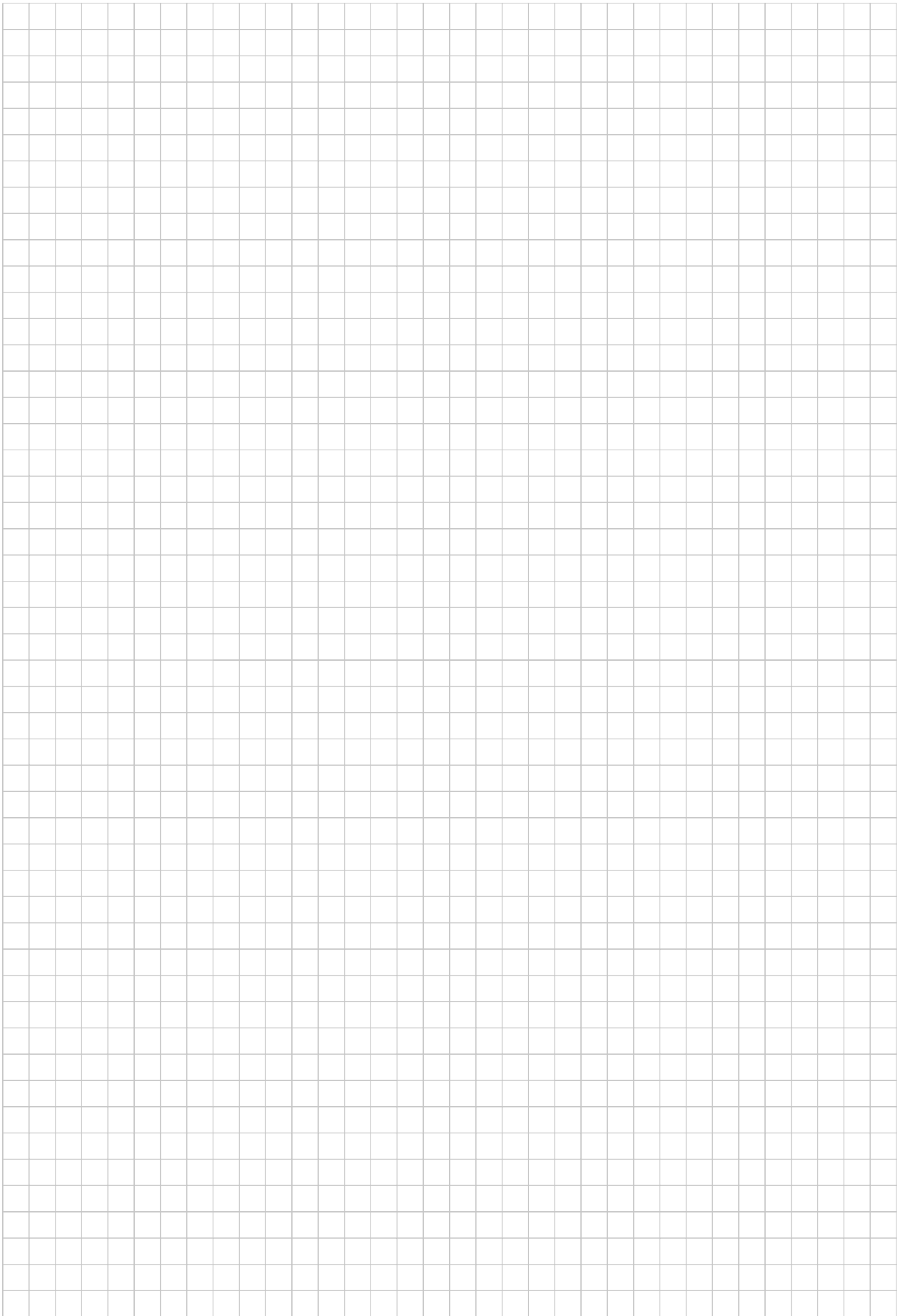


Abb. SR 3/8 VK PA6 ro
Standardausführung: PP, natur |
Fig. SR 3/8 VK PA6 ro
Standard model: PP, neutral







Kiba®-Griffkappen sind zum Schutz von Rohrenden, Schläuchen und Bolzen geeignet. Durch das flexible Material decken sie einen großen Durchmesserbereich ab. Die umlaufende Dichtlippe garantiert einen festen Sitz auf dem Bauteil. Die Standardausführung der Griffkappen ist TPE gelb. Sonderausführungen in Farbe und Material entnehmen Sie bitte dem Sonderbestellschlüssel.

Die angegebenen Anwendungsfälle sind Empfehlungen, der Einsatz liegt im Ermessen des Anwenders. Es empfiehlt sich, die Eignung durch Versuche zu überprüfen. Hierfür stellen wir gerne Muster zur Verfügung.

Zusätzliche Informationen erhalten Sie auf Anfrage.

Kiba Grip Caps are made to protect pipe ends, hoses and bolts. The flexible material can cover a wide range of diameters. The wraparound sealing lip guarantees a close fit on the component part. Standard Kiba Grip Caps are made of TPE in yellow colour. Please see the key for special orders for details of further materials and colours.

The mentioned applications are merely recommendations; actual use of the caps is at the discretion of the respective user. It is suggested to test the caps for suitability for a given purpose, for which we will gladly provide samples.

Additional information may be obtained on request.

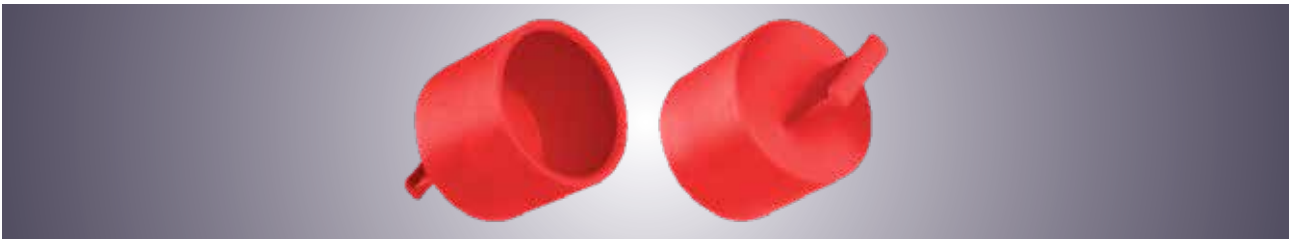
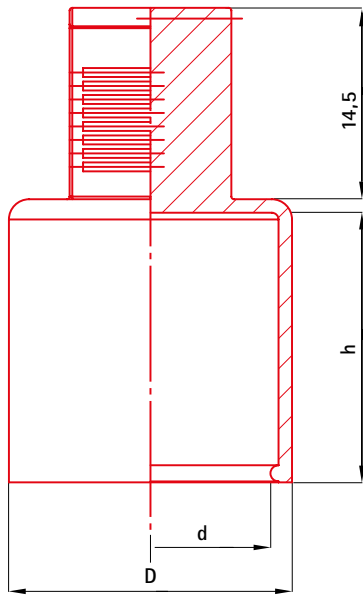


Abb. Ausführung: GK 18 TPE ro. Sondermaterialien und -farben siehe Sonderbestellschlüssel | Fig. Model: GK 18 TPE ro. Please see the key for special orders for further materials and colours.



Sonderbestellschlüssel | Key for special orders

Artikel	Material	Material	Farbe	Colour
GK18	TPE		ge	
	Standardmaterial TPE Andere Materialien auf Anfrage		rot gelb	ro ge
	Standard material TPE Other materials on request		red yellow	ro ge

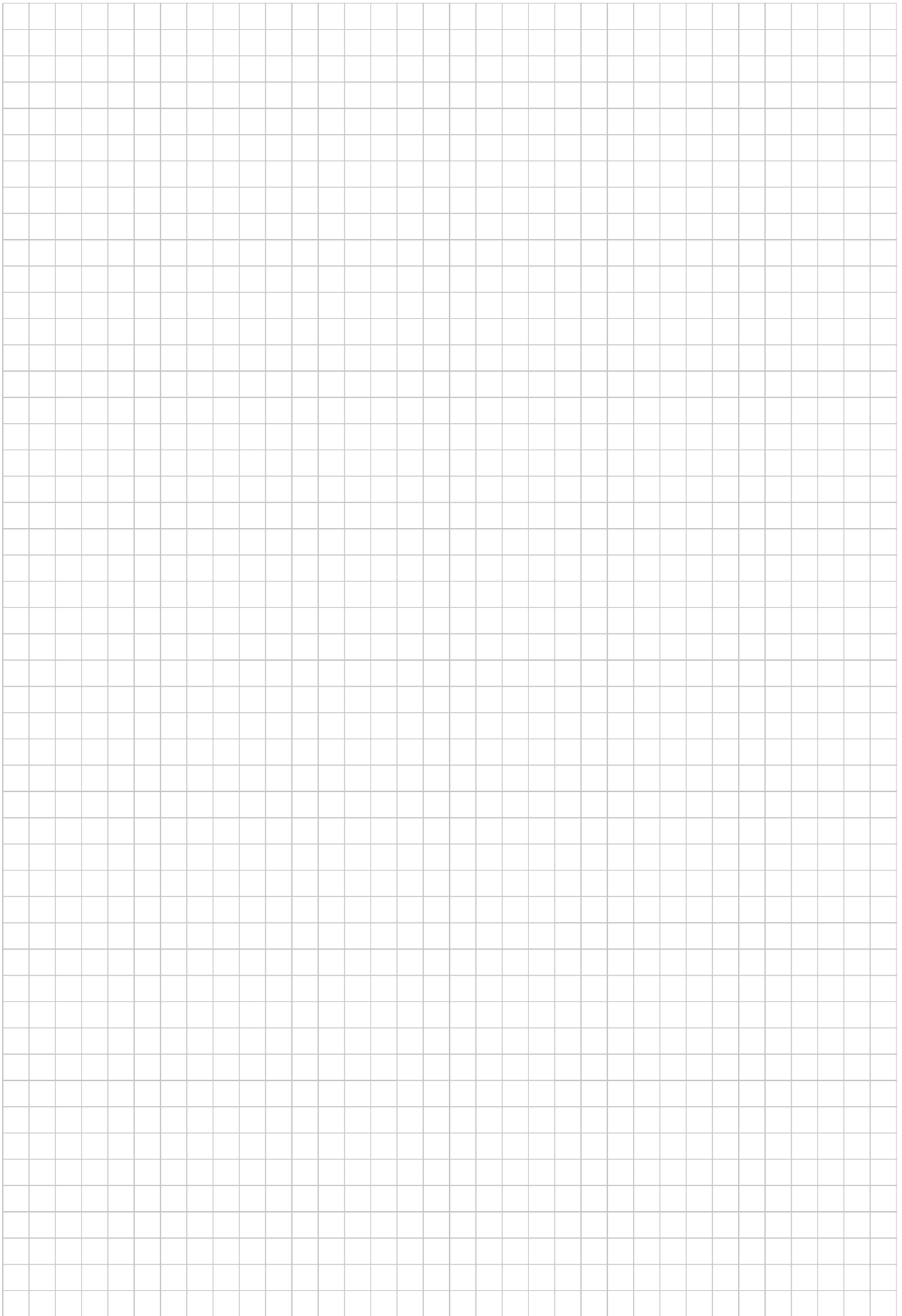
Standardausführung gelb | Standard model yellow

Artikel Article	Maße in mm Dimensions in mm		für Außendurchmesser for outer diameter	
	d	D	h	
GK 6	5,8	9	20	6 – 7,5
GK 8	7,9	10,8	20	8 – 9
GK 9	8,9	11,6	20	9 – 10,5
GK 10	9,5	13	20	10 – 11,5
GK 11	10,7	13,5	20	11 – 12,5
GK 12	11,7	15	20	12 – 13
GK 13	12,7	16	20	13 – 15
GK 14	13,8	17	20	14 – 16
GK 15	14,8	18	20	15 – 17
GK 16	15,8	19	20	16 – 17
GK 17	16,8	20	20	17 – 18
GK 18	17,8	21	20	18 – 19
GK 20	19,8	23	20	20 – 22
GK 22	21,8	24,5	20	22 – 24
GK 24	23,8	27,5	20	24 – 26

Angaben zu Werkstoffen, Farben, chemischer Beständigkeit und Fertigungstoleranzen nach DIN 16742 finden Sie in dem Kapitel „Technische Hinweise“.
Please see our separate "Technical Details" brochure for information on materials, colours, chemical resistance and manufacturing tolerances in line with DIN 16742.

Technische Änderungen vorbehalten.
Subject to technical alteration.





SONDERVERSCHLUSSELEMENTE | SPECIAL CLOSURES



Sonderverschlusselemente und Zeichnungsteile werden im Hause KIBA auf Grund von Modularwerkzeugen ausgesprochen kostengünstig entwickelt und gefertigt. Der maximale Durchmesser beträgt 150 mm.

Die Materialauswahl ist umfangreich:
Polyethylen, Polypropylen, Polyamid, EVA, TPE, Polystyrol oder Sonstige.

Sprechen Sie mit KIBA und lassen Sie sich von der Leistungsfähigkeit und Vielseitigkeit überzeugen.

Eingehende Daten können als Zeichnung oder Datensatz bearbeitet werden. Prototypen stehen schnellstens zur Verfügung.

Special sealing elements and Parts are in the home KIBA due to modular tools extremely cost-developed and manufactured. The maximum diameter is 150 mm.

The material selection is extensive:
Polyethylene, polypropylene, nylon, EVA, TPE, polystyrene or others.

Talk to KIBA and convince yourself of the efficiency and versatility.

Incoming data can be edited as a drawing or record. Prototypes are quickly available.



Abb. Einschlagstopfen, PA6, na |
Fig. Hit stopper, PA6, na



Abb. Abdeckung, PP, na |
Fig. Cover, PP, na



Abb. Hutstopfen mit Lasche, PE, na |
Fig. Lug top-hat stopper, PE, na



Abb. Hülse, PE, na |
Fig. Sleeve, PE, na



Abb. Abdeckung, PE, gn |
Fig. Cover, PE, gn



Abb. SR 3/8 VK, PA6, gn |
Fig. SR 3/8 VK, PA6, gn



Abb. Stopfen, PE, ro |
Fig. Stopper, PE, ro

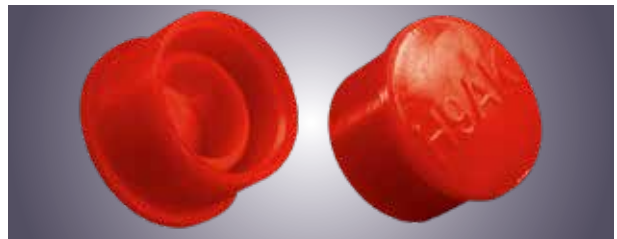


Abb. H9AK, Abdeckung für Elektroanschluss an Hydraulikventilen, PE, ro |
Fig. H9AK, Cover for electrical connection of hydraulic valves, PE, ro



Abb. Abdeckkappe, PE, ro |
Fig. Cover, PE, ro

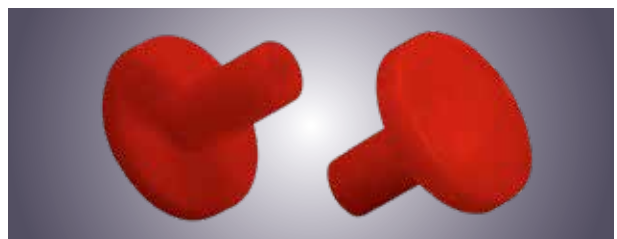


Abb. Stopfen, PE, ro |
Fig. Stopper, PE, ro



Type 3396.129.606
0 ... 350 bar
1M → 1 ... 6 V
DC 13 ... 30 V
CE



Caplugs is the leader in product protection, masking solutions and custom moulded components. With 13 facilities and a large team of in-field sales managers across the globe, we provide the personalized service, range of capabilities, manufacturing expertise and scalable infrastructure to be your trusted partner.



Caplugs Europe

Vinyl Dip Moulding Facility
Nieuwe Waterweg 10
5347 JS Oss, The Netherlands
+31 73 643 02 88
info.eu@caplugs.com
www.caplugs.eu



Polykap

Plastic Product Protection
Via dei Paceri 77
47891 Falciano, San Marino
+378 97 02 03
info@polykap.com
www.polykap.com



Safeplast

Extrusion Facility
Teerivuorenkatu 5-7
33300 Tampere, Finland
+358 3 252 5911
sales@safeplast.fi
www.safeplast.fi



KIBA

Plastic Product Protection
Am Neuen Haus 10A
58507 Lüdenscheid, Germany
+49 2351 1890 0
info@kiba.de
www.kiba.de

Extrusion Facility

Chemin Preuscamp 18
7822 Ath, Belgium
+32 24 60 64 14
info.eu@caplugs.com